

ASD-PU-01B

数位操作器/显示 操作说明

1 一般注意事项

感谢您使用本产品，此份说明书提供 ASD-PU-01B 的相关信息。在使用之前，请您仔细阅读本说明书以确保使用上的正确。此外，请将它妥善放置在明显的地点以便随时查阅。下列事项在您尚未读完本说明书前，请务必遵守：

- 安装的环境必须没有水气，腐蚀性气体与可燃性气体。
- 请注意接线配置的问题，装配错误可能导致产品毁损。
- 请勿大力敲击、摔放，或是采取不当方式操作本产品。
- 请勿破坏线材外观或是自行拆解本产品。

如果您在使用上仍有问题，请咨询经销商或者本公司客服中心。

2 安全注意事项

ASD-PU-01B 为搭配台达伺服产品 ASDA-B 的数位操作器。本产品内建 4 组存储器可供存储和写入驱动器内部的参数组，并提供特殊功能键(内含快速参数编译，异常重置，参数储存/写出，寸动模式，马达增益动/静态调整功能)方便操作应用。

ASDBCADK0001 通讯线与 ASD-PU-01A 连接时，如需要使用螺丝固定，建议采用自攻螺丝 φ3*1.06*8 规格。

接收检验、安装、配线、操作、维护及检查时，应随时注意以下安全注意事项。

接收检验及安装



- 请依照指定的方式搭配伺服驱动器，否则可能会导致故障。
- 禁止将本产品暴露在有水气、腐蚀性气体、可燃性气体等物质的场所下使用，否则可能会导致故障。

配线注意



- 请注意接线两端的装配方向，否则可能造成故障。

操作注意



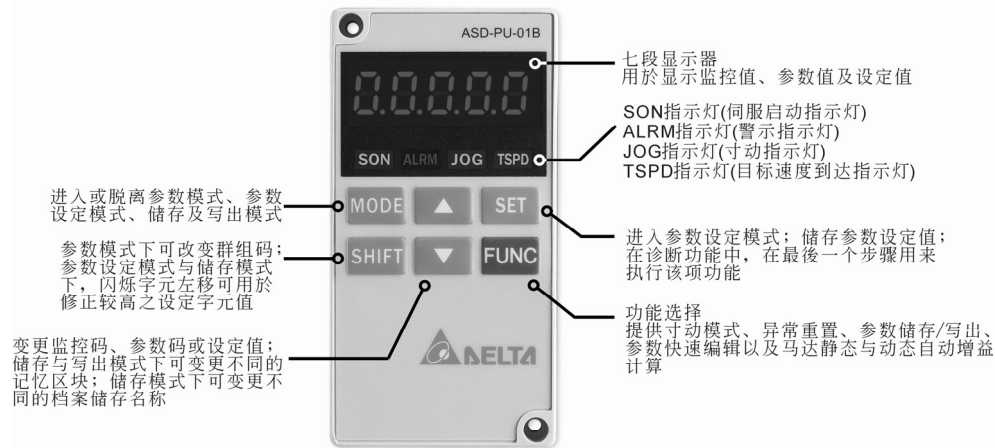
- 请勿大力摔放、敲打，或是不当方式操作，否则可能造成故障。

维护及检查



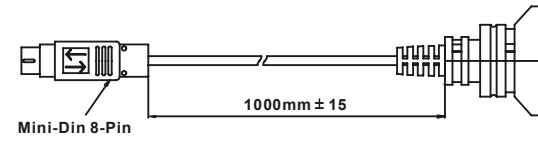
- 请勿自行拆解本产品，或是任意破坏线材外观，否则可能造成产品损坏。

3 数位操作器 ASD-PU-01B 各部说明



4 驱动器与数位操作器 Keypad 通讯线

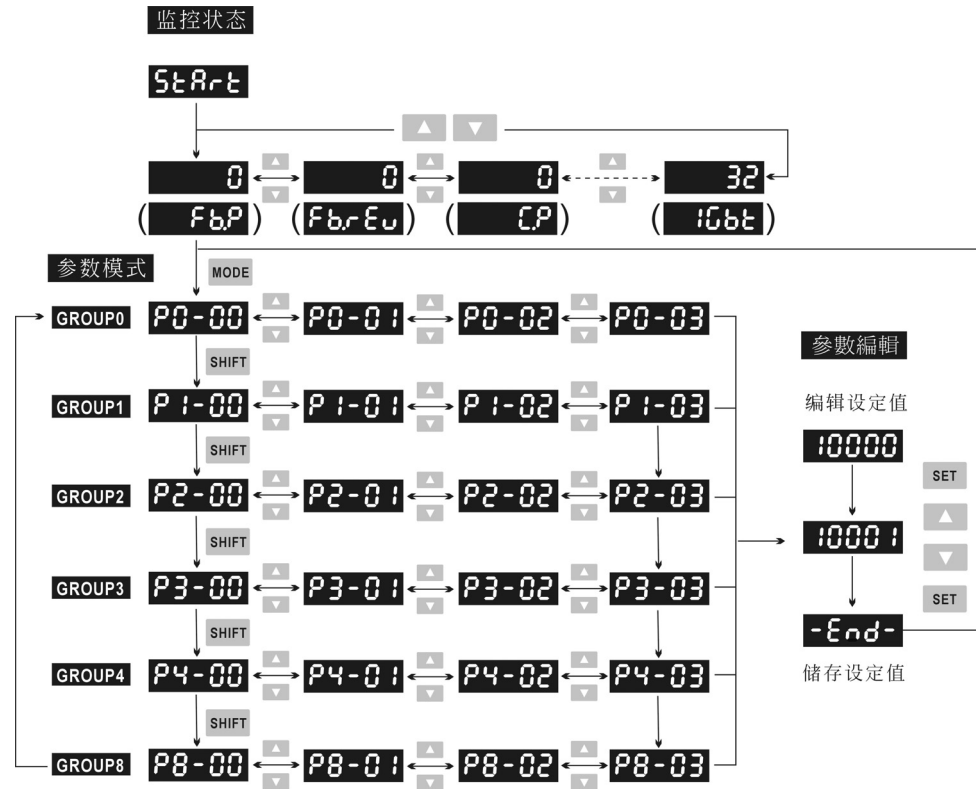
台达型号: ASDBCADK0001



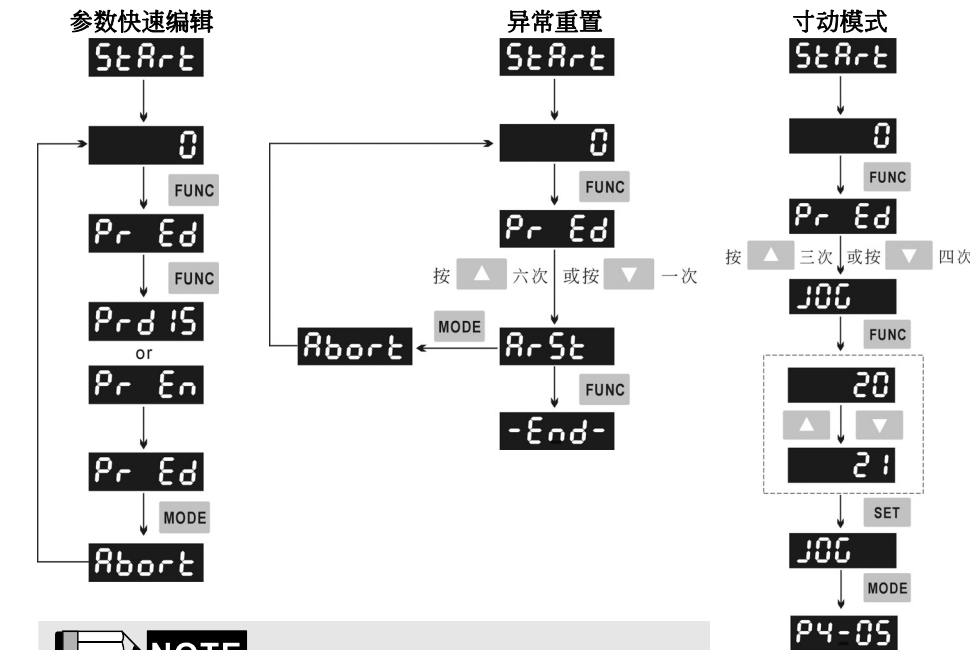
Title	Part No.	Manufacturer
BoxHeader	3071420300	DELTA
Cover	3140311100	DELTA
Housing	2541-K-14PD	JAWS
Terminal	2541-T-G	JAWS

5 ASD-PU-01B 操作流程

■ 监控状态 (监控模式) 与参数编辑 (参数模式)

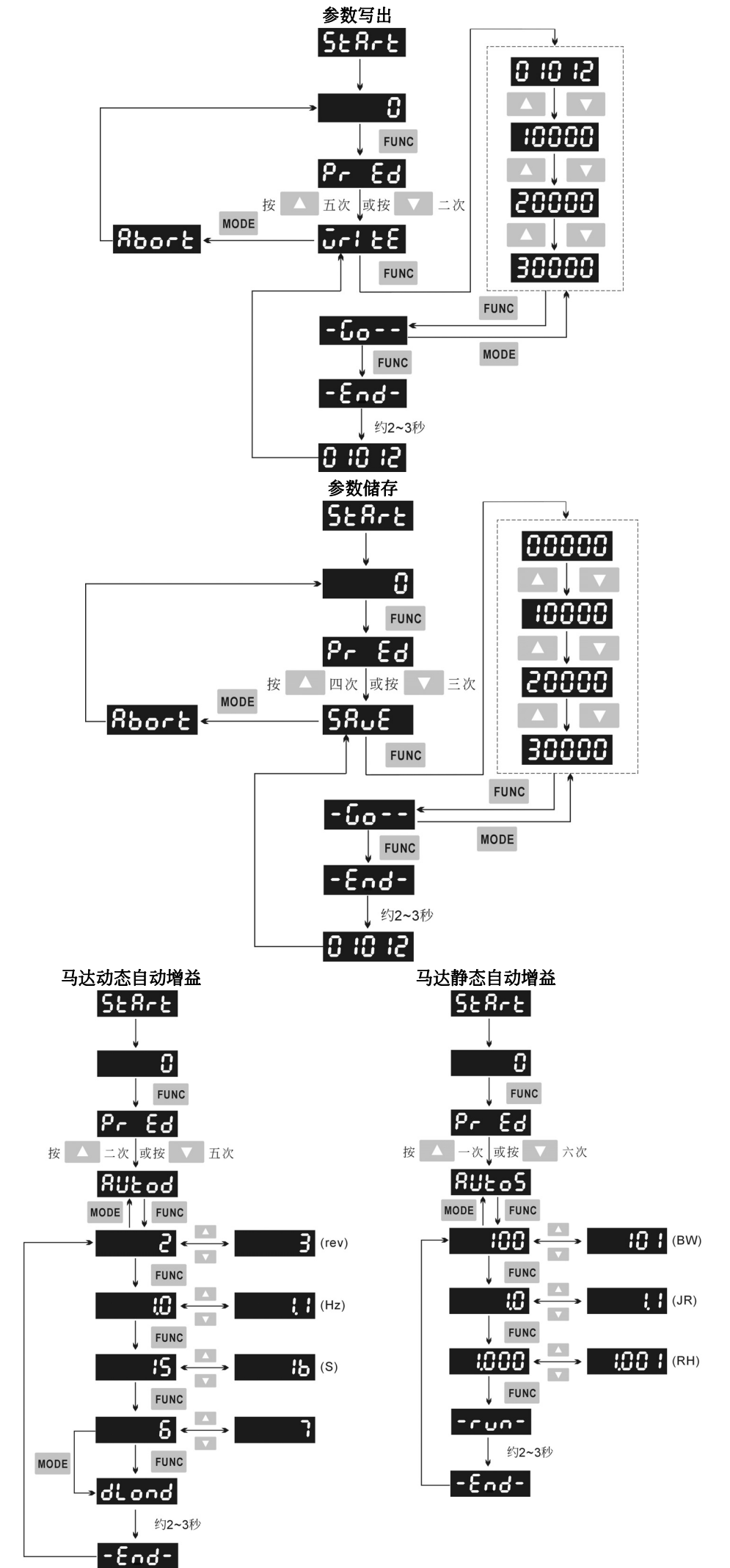


■ FUNC 功能操作流程



NOTE

- 使用 **MODE** 键离开 **FUNC** 功能，下次再进入 **FUNC** 功能时，会显示上次跳离前的状态。



ASD-PU-01B

Digital Keypad / Display

Instruction Sheet

1 General Notes

This instruction sheet will be helpful in the installation and operation of Delta ASD-PU-01B. Before using the product, please read this instruction sheet to ensure correct use. You should thoroughly understand all safety precautions before proceeding with the installation and operation, and place this instruction sheet in a safe location for future reference.

If you do not understand please contact your local Delta sales representative.

Please observe the following precautions:

- Do not use the product in a potentially explosive environment.
- Install the product in a clean and dry location free from corrosive and inflammable gases or liquids.
- Please ensure all wirings are correct. Otherwise, damage, malfunction or inability may result.
- Do not shake, strike, hammer or throw the product. Failure to observe this precaution or perform improper operation may seriously damage the product or cause personal injury.
- Do not damage the cables or/and disassemble the product as doing this will cause electric shock and result in serious injury or damage to the product.

2 Safety Precautions

ASD-PU-01B is the specified digital keypad / display used with Delta ASDA-B series servo drives. It is provided with 4 groups built-in memories for saving and writing drive parameters. Also, there are several special function keys: MODE, SHIFT, SET and FUNC (including fast editing, reset, parameter read & write, JOG, servo motor dynamic & static auto-tuning functions) on the keypad and can offer more flexible and convenient operation.

When connecting ASD-PU-01B and ASDBCADK0001 communication cable, if the screws are necessary, $\phi 3 \times 1.06 \times 8$ screws are recommended for use.

Ensure to observe the following precautions when performing unpacking check, installation, wiring and operation.

Unpacking Check and Installation



- Please ensure that both the digital keypad and servo drive are correctly matched. Failure to observe this precaution may cause damage, malfunction or inability.
- Do not install the product in a location that is outside the stated specification for the digital keypad and servo drive. Failure to observe this caution may cause fire, seriously damage the digital keypad and servo drive or cause personal injury.

Wiring



- Please pay close attention on the connectors and wire terminations. Ensure all wirings are correct and secure. Otherwise, damage, malfunction or inability may result.

Operation



- Do not shake, strike, hammer or throw the product. Failure to observe this precaution or perform improper operation may seriously damage the product or cause personal injury.

Maintenance and Inspection



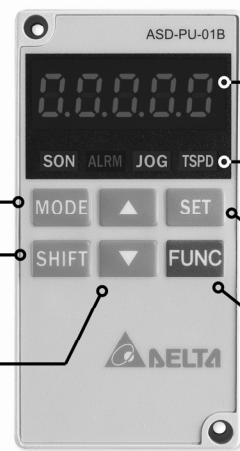
- Do not damage the cables. Never disassemble the product. Doing this will cause electric shock and result in serious injury or damage to the product.

3 ASD-PU-01B Features

MODE Key
Enter or exit different parameter groups, and switch between Parameter mode and Parameter Setting mode, SAVE mode and WRITE mode.

SHIFT Key
In Parameter mode, it can be used to change parameter groups. In Parameter Setting mode and SAVE mode, it can be used to move the cursor to the left and change parameter settings (blinking).

UP and Down Key
Scroll through, set and change monitor codes, parameter groups and various parameter settings. In SAVE and WRITE mode, they are used to change the memory groups. In SAVE mode, they are used to set the memory file name also.



LED Display
5-digit LED display
Display monitor codes, parameter settings and operation values.

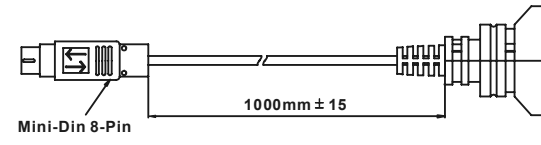
Status Display
SON LED (Servo ON)
ALARM LED (Alarm output is activated)
JOG LED (JOG operation)
TSPD LED (Target speed is reached)

SET Key
Select, display and save parameter groups and various parameter settings.

Function Key
Provide the following special functions:
JOG operation mode, Fast editing, Reset, Parameter Read & Write, Servo Motor Static and Dynamic auto-tuning.

4 Communication Cable (Connecting a Keypad to a ASDA-B)

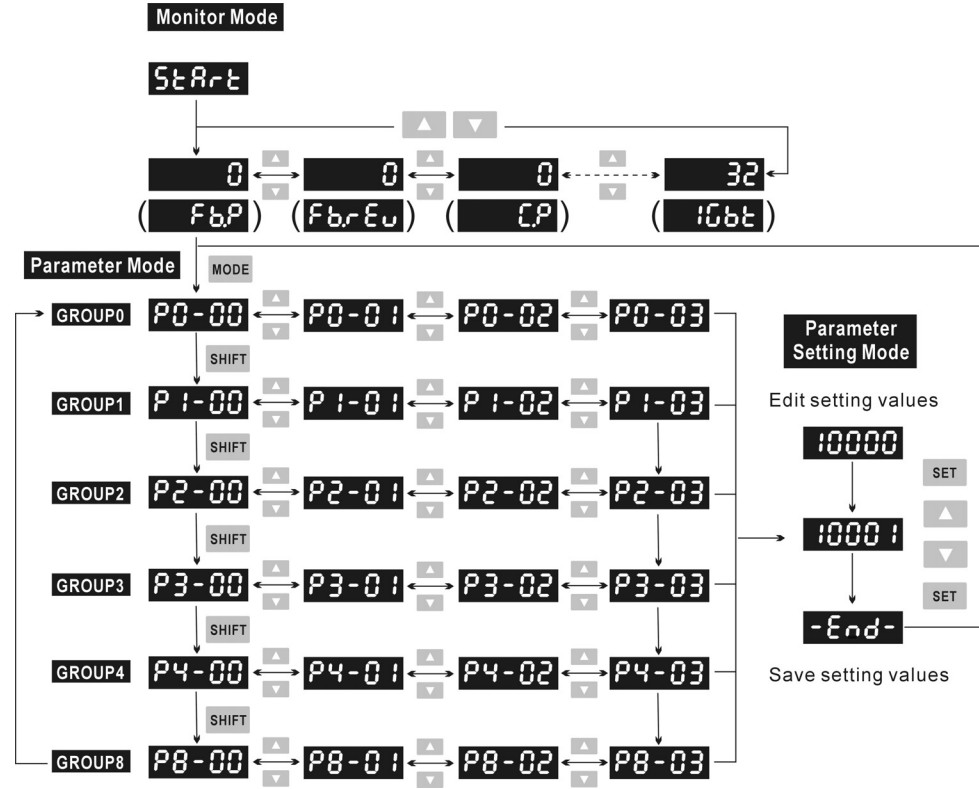
Delta Part Number: ASDBCADK0001



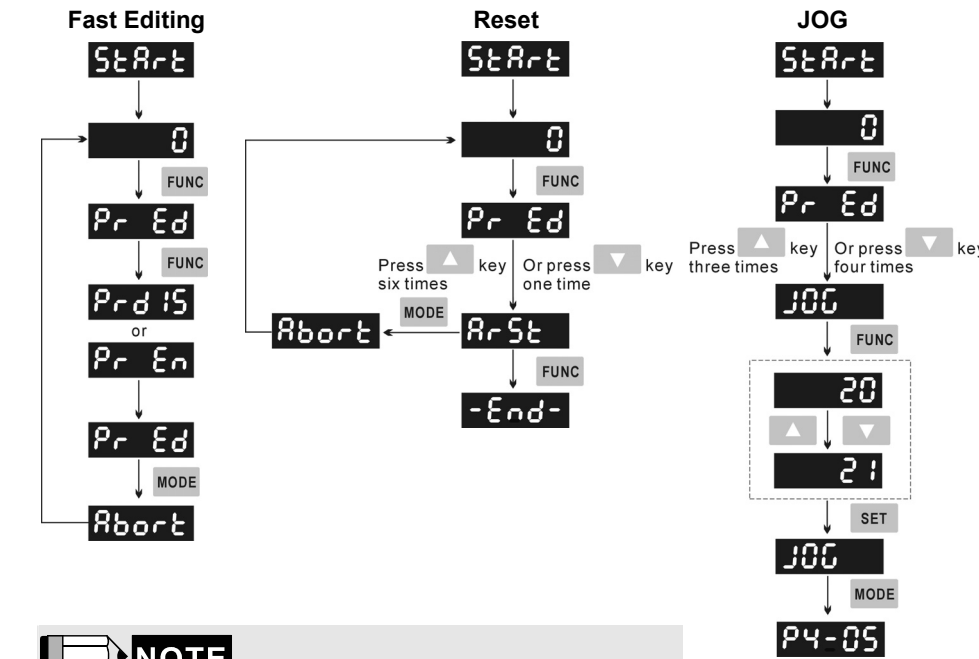
Title	Part No.	Manufacturer
BoxHeader	3071420300	DELTA
Cover	3140311100	DELTA
Housing	2541-K-14PD	JAWS
Terminal	2541-T-G	JAWS

5 ASD-PU-01B Display Flowchart

Monitor Mode, Parameter Mode and Parameter Setting Mode

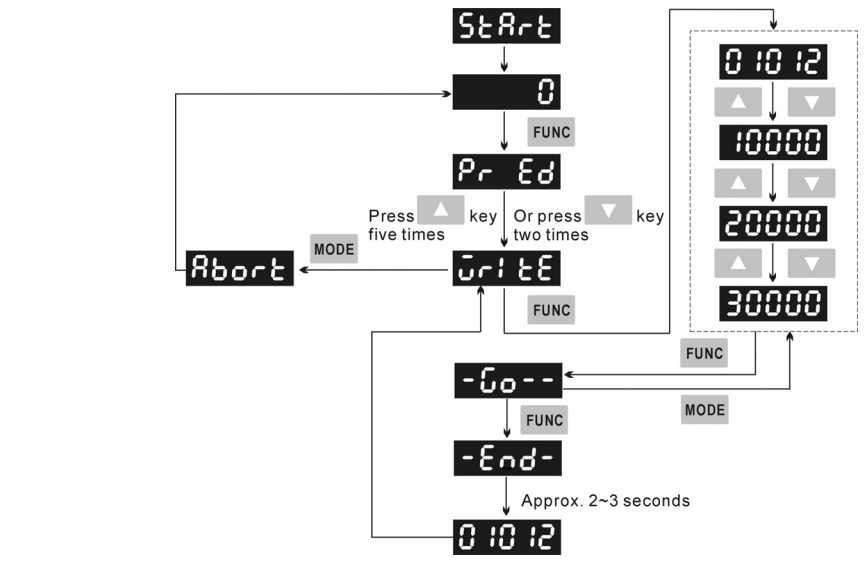


FUNC Display Flowchart

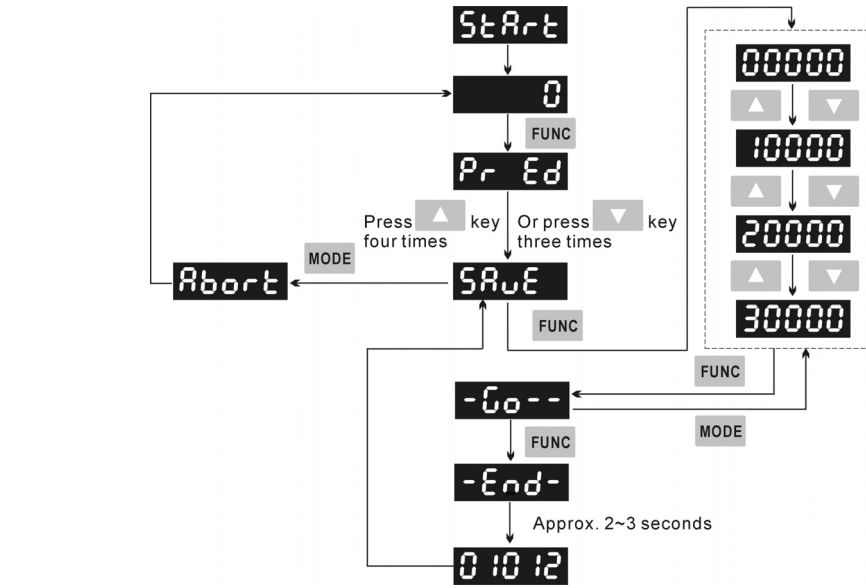


NOTE
If the user press **MODE** key to exit **FUNC** mode, when entering **FUNC** mode next time, the code of the last operation mode that the user used last time will show on the LED display.

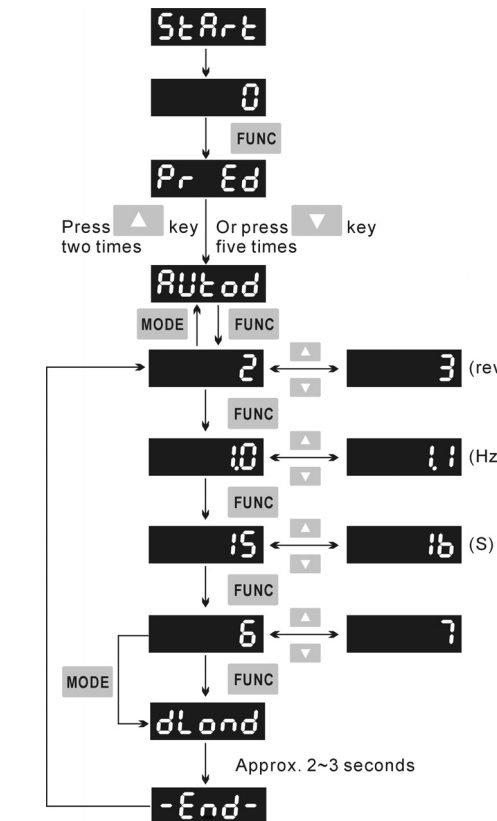
Parameter Write Mode (Parameter settings written out to the Drive)



Parameter Save Mode (Save parameter settings to the Keypad)



Servo Motor Dynamic Auto-tuning



Servo Motor Static Auto-tuning

