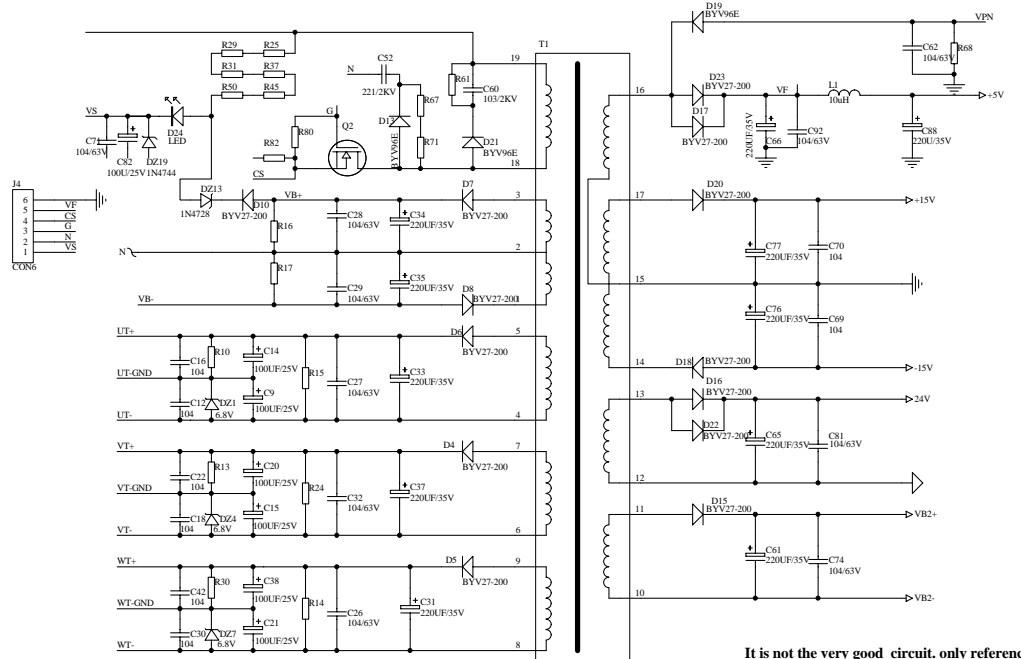
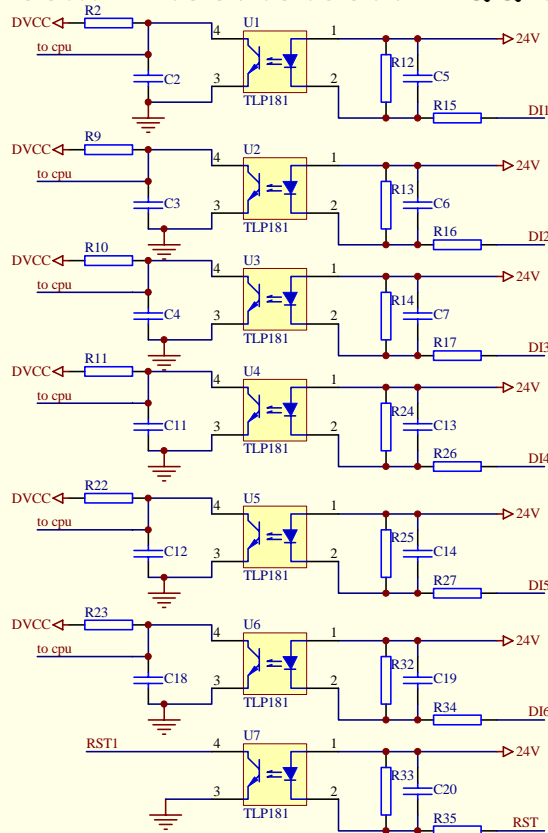
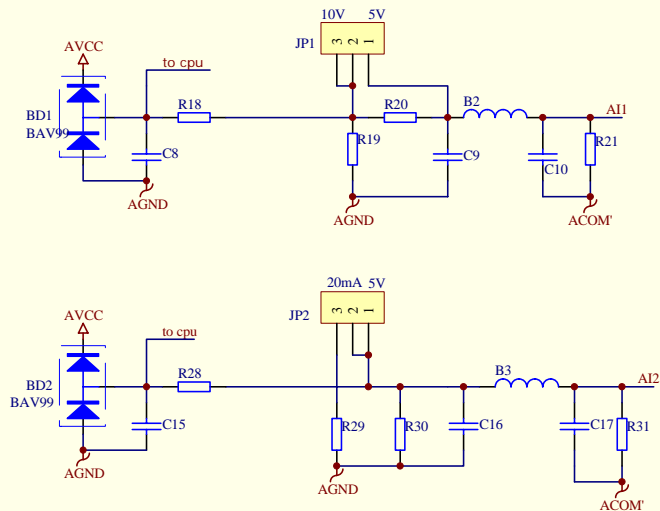
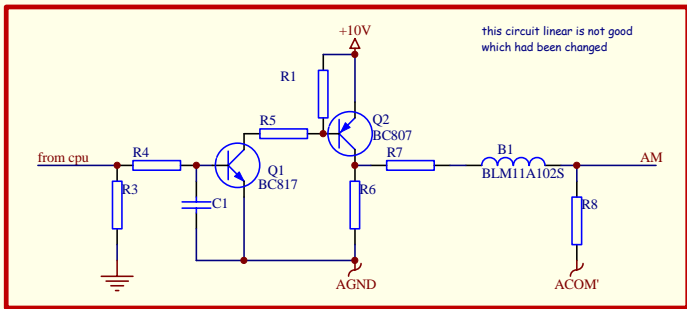


Power circuit



It is not the very good circuit. only reference

专业维修各种变频器 <http://www.hbjdwxw.com> 15871319377 QQ:199959599



CN1	
AM	1
AI1	2
AI2	3
AI3	4
10V	5
ACOM	6
P+	7
P-	8
F+	9
F-	10

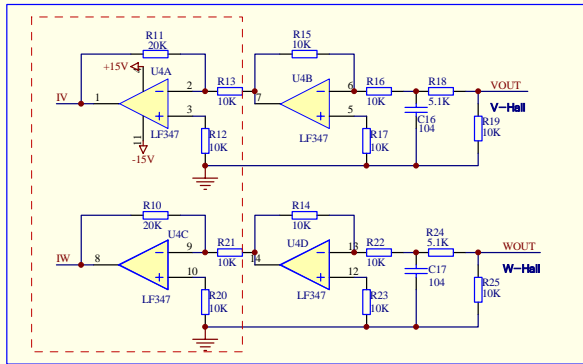
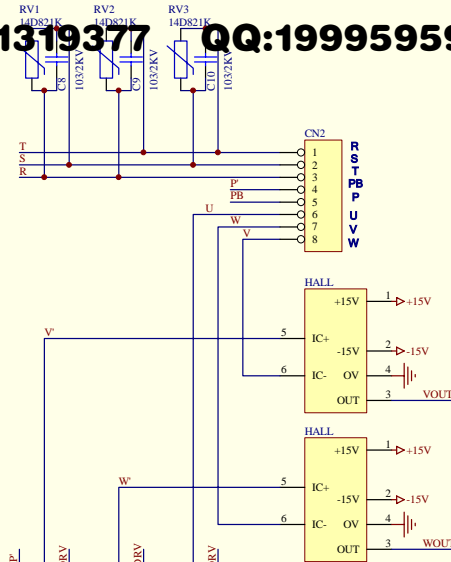
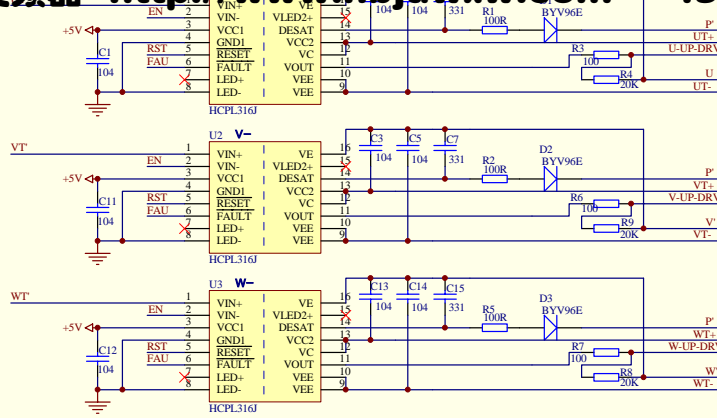
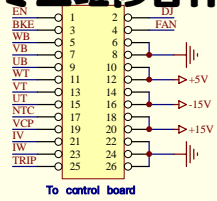
CN2	
DI1	1
DI2	2
DI3	3
DI4	4
DI5	5
DI6	6
RST	7
DO1	8
24V	9
DCOM	10

part connector circuit

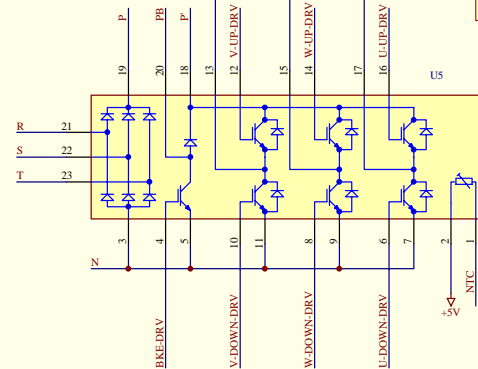
专业维修各种变频器 <http://www.hbjdwxw.com>

15871319377

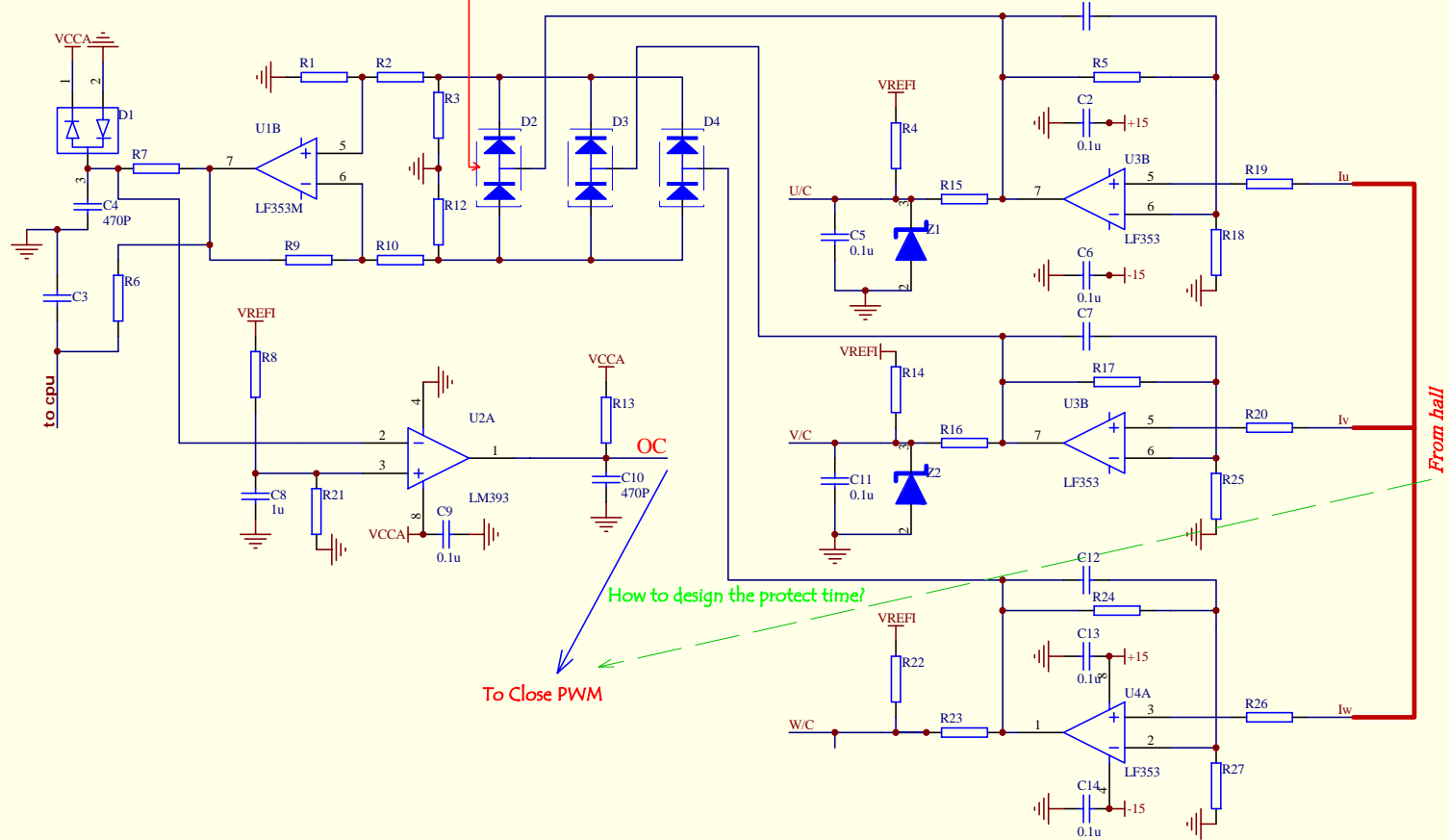
QQ:199959599



Current detect circuit



专业维修各种变频器 <http://www.hbjdwxw.com> 15871319377 QQ:199959599



To Close PWM

How to design the protect time?

From hall

current protect circuit

4 dummyname