

IML PMIC for TCON board

		Comments
PMICs	<p style="text-align: center;"> 8939 TV PMIC (I2C Programmable) 8984 MNT PMIC+L/S 8954 NB PMIC+L/S 8955 NB PMIC +L/S (I2C Programmable) 8958 NB PMIC +L/S 8995 Tablet <u>PMIC+PGamma</u> 8851 NB & MNT PMIC </p>	IML supports multi-ch PMICs for various customers with custom specifications

- Complete Lineup of PMIC solutions for all panel sizes
- iML is available to support customer-specific requirements

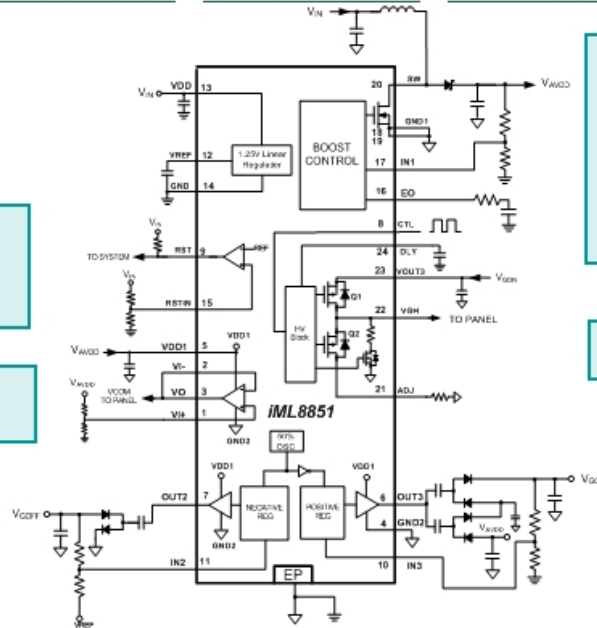
Part Name	Panel Supplies					TCON supplies			L/S	PGAMMA	VCOM Calibrator	VCOM Opamp	Remarks
	Max. AVDD	VGH	VGL	HAV DD	GPM	Reset	I/O	Core					
iML8851	Boost 18V	Regulated PCP	Regulated NCP	-	Yes	Yes	-	-	No	-	-	1	Vin(2.5-5.5V)
iML8861	Boost 13.5V	Boost	External NCP	-	-	-	LDO	-	No	-	YES	2	Vin(2.5-5.5V)
iML8984	Boost 18V	Regulated PCP	Regulated NCP	-	N/A	Yes	LDO	-	8ch	-	Yes	1	Vin(2.5-5.5V)

iML8851 for MNT/NB/Tablet

Complete power supply solution for LCD panels for
Tablets, Notebooks, Ultrabooks, Monitors.

- Reset Output
- TCON

- VCOM Opamp



- Main supply (AVDD)
- Source Driver
- Gamma correction
- DVR-VCOM

- GPM function

- Positive and Negative Gates supplies for Gate drivers

梦想电子联系方式: