

1
2
3
4
5
6
7
8
9
10
11
12
13
14
15
16
17
18
19
20
21
22

CFP MSA Management Interface **Specification**

100/40 Gigabit Transceiver Package Multi-Source Agreement

Version 2.0 r09

April 10, 2012



23

1
2
3
4
5
6

CFP MSA Group Contacts

Technical Editor	Jiashu Chen	jiashu.chen@finisar.com
Associate Editor	Jon Anderson	janderson@opnext.com

Finisar Corp.	Chris Cole	chris.cole@finisar.com
Avago Technologies, Ltd.	John Petrilla	john.petrilla@avagotech.com
Opnext Inc.	Jon Anderson	janderson@opnext.com
Sumitomo Electric Industries, Ltd.	Eddie Tsumura	tsumura-eiji@sei.co.jp
Fujitsu Optical Components	Yasuno Nagakubo	nagakubo.yasuno@jp.fujitsu.com

TABLE OF CONTENTS

1		
2	REVISION HISTORY	8
3	REFERENCES.....	10
4	LIST OF FIGURES.....	11
5	LIST OF TABLES	12
6	1 DOCUMENT SUMMARY	13
7	1.1 BACKGROUND.....	13
8	1.2 CFP MANAGEMENT INTERFACE.....	13
9	1.3 CFP MANAGEMENT INTERFACE SPECIFICATION VERSION COMPATIBILITY	13
10	1.4 CONTENT OF THIS DOCUMENT	14
11	1.5 NOTATIONS	14
12	1.5.1 <i>Hardware Signal Name</i>	14
13	1.5.2 <i>Soft (MDIO) Signal Name</i>	14
14	1.5.3 <i>CFP Register Name and Address</i>	14
15	1.5.4 <i>Numbers</i>	15
16	1.5.5 <i>Special Characters</i>	15
17	1.6 GLOSSARY	15
18	2 CFP MANAGEMENT INTERFACE	17
19	2.1 OVERVIEW	17
20	2.2 SPECIFICATIONS	17
21	2.2.1 <i>Optional Features</i>	17
22	2.2.1.1 <i>Optional Controls</i>	18
23	2.2.1.2 <i>Optional FAWS signals</i>	18
24	2.3 INTERFACE ARCHITECTURE	18
25	2.4 MDIO MANAGEMENT FRAME STRUCTURE.....	19
26	3 CFP REGISTER OVERVIEW	20
27	3.1 CFP REGISTER SPACE	20
28	3.2 NON-VOLATILE REGISTERS (NVRs)	20
29	3.2.1 <i>CFP NVR Tables</i>	20
30	3.2.2 <i>Vendor NVR Tables</i>	20
31	3.2.3 <i>User NVR Tables</i>	20
32	3.2.4 <i>NVR Content Management</i>	20
33	3.2.5 <i>User Private Use Registers</i>	21
34	3.3 VOLATILE REGISTERS (VRS)	22
35	3.3.1 <i>CFP Module VR 1 Table</i>	22
36	3.3.2 <i>Network Lane Specific Register Table</i>	22
37	3.3.3 <i>Host Lane Specific Register Table</i>	22
38	3.4 MODULE VENDOR PRIVATE REGISTERS	22
39	3.5 RESERVED CFP REGISTERS.....	22
40	3.5.1 <i>Un-implemented Registers</i>	22
41	3.6 CFP REGISTER DATA TYPES	23
42	3.6.1 <i>Byte</i>	23
43	3.6.2 <i>Word</i>	23
44	3.6.3 <i>Bit Field</i>	23
45	3.6.4 <i>Two's Complement</i>	23
46	4 CFP CONTROL AND SIGNALING THEORY.....	24

1	4.1	CFP MODULE STATES AND RELATED SIGNALS.....	24
2	4.1.1	<i>Signals Affecting Transition of CFP Module States</i>	24
3	4.1.1.1	Combined Module Reset Signal MOD_RSTs.....	24
4	4.1.1.2	Combined Module Low Power Signal MOD_LOPWRs.....	24
5	4.1.1.3	Combined Transmitter Disable Signal TX_DISs	25
6	4.1.1.4	Fault Conditions.....	25
7	4.1.1.5	Minimum Signal Duration	25
8	4.1.2	<i>Signals Affected by Module Insertion or State Transition</i>	26
9	4.1.2.1	MOD_ABS	26
10	4.1.2.2	GLB_ALRM	26
11	4.1.2.3	INIT_DONE.....	26
12	4.1.2.4	HIPWR_ON.....	26
13	4.1.2.5	MOD_READY (Ready State).....	26
14	4.1.2.6	MOD_FAULT (Fault State).....	26
15	4.1.3	<i>CFP Module States</i>	26
16	4.1.3.1	Reset State (Steady)	27
17	4.1.3.2	Initialize State (Transient).....	27
18	4.1.3.3	Low-Power State (Steady)	27
19	4.1.3.4	High-Power-up State (Transient)	28
20	4.1.3.5	TX-Off State (Steady).....	28
21	4.1.3.6	TX-Turn-on State (Transient)	28
22	4.1.3.7	Ready State (Steady).....	29
23	4.1.3.8	TX-Turn-off State (Transient).....	29
24	4.1.3.9	High-Power-Down State (Transient).....	29
25	4.1.3.10	Fault State (Steady).....	29
26	4.2	STATE TRANSITION DIAGRAM	30
27	4.3	EXAMPLES OF MODULE STARTUP AND TURN-OFF SEQUENCE.....	32
28	4.3.1	<i>Power-up CFP Module to Ready State without Host Transition Control</i>	32
29	4.3.2	<i>Power-up the Module with Full Host Transition Control</i>	33
30	4.3.3	<i>Power-Up the Module with Some Host Transition Control</i>	33
31	4.3.4	<i>Example of Module Turn-off Sequence</i>	33
32	4.4	SPECIAL MODES OF OPERATION.....	33
33	4.5	BEHAVIOR OF FAWS IN CFP STATES	39
34	4.6	GLOBAL ALARM SYSTEM LOGIC.....	40
35	4.7	SPECIFIC HOST CONTROLS OVER MANAGEMENT INTERFACE.....	44
36	4.7.1	<i>Soft Module Reset (A010h.15) Function</i>	44
37	4.7.2	<i>Soft Global Alarm Test (A010h.9) Function</i>	44
38	4.8	TIMING FOR MANAGEMENT INTERFACE CONTROL AND STATUS REPORTING	44
39	4.8.1	<i>Miscellaneous Timing</i>	46
40	4.9	BIT ERROR RATE CALCULATION.....	47
41	4.9.1	<i>Network Lane PRBS Setup</i>	47
42	4.9.2	<i>Network Lane BER Calculation</i>	47
43	4.9.3	<i>Host Lane PRBS Control</i>	48
44	4.9.4	<i>Host Lane BER Calculation</i>	48
45	4.10	CFP REGISTER ACCESS	48
46	4.10.1	<i>Read and Write Accesses</i>	48
47	4.10.2	<i>User NVR Restore and Save Functions</i>	49
48	4.10.2.1	User NVR Restore and Save Command (Bit 5)	49
49	4.10.2.2	Command Status (bits 3, 2).....	51
50	4.10.2.3	Extended Commands (bits 1, 0).....	51
51	4.10.2.4	NVR Data Safety in Save Function.....	51
52	4.11	SETUP OF PROGRAMMABLE CONTROL AND ALARM PINS	53
53	4.11.1	<i>Programmable Control Functions for PRG_CNTLs</i>	53
54	4.11.2	<i>Programmable Alarm Sources for PRG_ALRMs</i>	53
55	5	CFP REGISTER DESCRIPTION	55

1	5.1	CFP NVR 1 TABLE: BASE ID REGISTERS	55
2	5.1.1	Module Identifier (8000h).....	55
3	5.1.2	Extended Identifier (8001h).....	55
4	5.1.2.1	Power Class.....	55
5	5.1.2.2	Lane Ratio Type.....	56
6	5.1.2.3	WDM Type.....	56
7	5.1.3	Connector Type Code (8002h).....	56
8	5.1.4	Ethernet Application Code (8003h).....	56
9	5.1.5	Fiber Channel Application Code (8004h).....	56
10	5.1.6	Copper Link Application Code (8005h).....	56
11	5.1.7	SONET/SDH Application Code (8006h).....	56
12	5.1.8	OTN Application Code (8007h).....	57
13	5.1.9	Additional Capable Rates Supported (8008h).....	57
14	5.1.10	Number of Lanes Supported (8009h).....	57
15	5.1.10.1	Number of Network Lanes.....	57
16	5.1.10.2	Number of Host Lanes.....	57
17	5.1.11	Media Properties (800Ah).....	57
18	5.1.11.1	Media Type.....	57
19	5.1.11.2	Directionality.....	57
20	5.1.11.3	Optical Multiplexing and De-Multiplexing.....	58
21	5.1.11.4	Active Fiber per Connector.....	58
22	5.1.12	Maximum Network Lane Bit Rate (800Bh).....	58
23	5.1.13	Maximum Host Lane Bit Rate (800Ch).....	58
24	5.1.14	Maximum Single Mode Optical Fiber Length (800Dh).....	58
25	5.1.15	Maximum Multi-Mode Optical Fiber Length (800Eh).....	58
26	5.1.16	Maximum Copper Cable Length (800Fh).....	58
27	5.1.17	Transmitter Spectral Characteristics 1 (8010h).....	58
28	5.1.17.1	Number of Active Transmit Fibers.....	58
29	5.1.18	Transmitter Spectral Characteristics 2 (8011h).....	59
30	5.1.18.1	Number of Wavelengths per Active Transmit Fiber.....	59
31	5.1.19	Minimum Wavelength per Active Fiber (8012h, 8013h).....	59
32	5.1.20	Maximum Wavelength per Active Fiber (8014h, 8015h).....	59
33	5.1.21	Maximum per Lane Optical Width (8016h, 8017h).....	59
34	5.1.22	Device Technology 1 (8018h).....	59
35	5.1.22.1	Laser Source Technology.....	59
36	5.1.22.2	Transmitter Modulation Technology.....	59
37	5.1.23	Device Technology 2 (8019h).....	60
38	5.1.23.1	Wavelength Control.....	60
39	5.1.23.2	Cooled Transmitter.....	60
40	5.1.23.3	Tunability.....	60
41	5.1.23.4	VOA Implemented.....	60
42	5.1.23.5	Detector Type.....	60
43	5.1.23.6	CDR with EDC.....	60
44	5.1.24	Signal Code (801Ah).....	61
45	5.1.24.1	Modulation.....	61
46	5.1.24.2	Signal Coding.....	61
47	5.1.25	Maximum Total Optical Output Power per Connector (801Bh).....	61
48	5.1.26	Maximum Optical Input Power per Network Lane (801Ch).....	61
49	5.1.27	Maximum Power Consumption (801Dh).....	61
50	5.1.28	Maximum Power Consumption in Low Power Mode (801Eh).....	61
51	5.1.29	Maximum Operating Case Temp Range (801Fh).....	61
52	5.1.30	Minimum Operating Case Temp Range (8020h).....	61
53	5.1.31	Vendor Name (8021h).....	61
54	5.1.32	Vendor OUI (8031h).....	62
55	5.1.33	Vendor Part Number (8034h).....	62
56	5.1.34	Vendor Serial Number (8044h).....	62

1	5.1.35	Date Code (8054h).....	62
2	5.1.36	Lot Code (805Ch)	63
3	5.1.37	CLEI Code (805Eh)	63
4	5.1.38	CFP MSA Hardware Specification Revision Number (8068h).....	63
5	5.1.39	CFP MSA Management Interface Specification Revision Number (8069h)	63
6	5.1.40	Module Hardware Version Number (806Ah).....	63
7	5.1.41	Module Firmware Version Number (806Ch).....	63
8	5.1.42	Digital Diagnostic Monitoring Type (806Eh).....	63
9	5.1.43	Digital Diagnostic Monitoring Capability 1 (806Fh).....	63
10	5.1.44	Digital Diagnostic Monitoring Capability 2 (8070h)	64
11	5.1.45	Module Enhanced Options (8071h)	64
12	5.1.46	Maximum High-Power-up Time (8072h).....	64
13	5.1.47	Maximum TX-Turn-on Time (8073h).....	64
14	5.1.48	Host Lane Signal Spec (8074h).....	64
15	5.1.49	Heat Sink Type (8075h).....	64
16	5.1.50	Maximum TX-Turn-off Time (8076h).....	64
17	5.1.51	Maximum High-Power-down Time (8077h)	65
18	5.1.52	Module Enhanced Options 2 (8078h)	65
19	5.1.53	Transmitter Monitor Clock Options (8079h).....	65
20	5.1.54	Receiver Monitor Clock Options (807Ah).....	65
21	5.1.55	Module Enhanced Options 3 (807Bh).....	65
22	5.1.56	CFP NVR 1 Checksum (807Fh).....	65
23	5.2	CFP NVR 2 TABLE: ALARM/WARNING THRESHOLD REGISTERS.....	71
24	5.3	CFP NVR 3 TABLE: NETWORK LANE BOL MEASUREMENT REGISTERS	73
25	5.4	CFP NVR 4 TABLE	74
26	5.5	CFP MODULE VR 1 TABLE.....	74
27	5.5.1	CFP Command/Setup Registers.....	75
28	5.5.1.1	NVR Access Control (A004h)	75
29	5.5.1.2	PRG_CNTLs Function Select (A005h, A006, A007h)	75
30	5.5.1.3	PRG_ALRMs Source Select (A008h, A009h, A00Ah).....	75
31	5.5.1.4	Module Bi-/Uni- Directional Operating Mode Select (A00Bh)	75
32	5.5.2	Module Control Registers (A010h~A014h)	75
33	5.5.3	Module State Register (A016h).....	75
34	5.5.4	Module Alarm Summary Registers (A018h, A019h, A01Ah, A01Bh)	75
35	5.5.5	Module FAWS Registers (A01Dh, A01Eh, A01Fh, A020h)	76
36	5.5.6	Module FAWS Latch Registers (A022h, A023h, A024h, A025h, A026h).....	76
37	5.5.7	Module FAWS Enable Registers (A028h, A029h, A02Ah, A02Bh, A02Ch).....	76
38	5.5.8	Module Analog A/D Value Registers (A02Fh, A030h, A031h, A032h, A033h)	76
39	5.5.9	Module PRBS Registers (A038h, A039h).....	76
40	5.6	NETWORK LANE SPECIFIC REGISTER TABLES	90
41	5.7	HOST LANE SPECIFIC REGISTER TABLE.....	94
42	6	MSA-100GLH MODULE MANAGEMENT INTERFACE	96
43	6.1	OVERVIEW	96
44	6.2	MSA-100GLH MODULE MANAGEMENT INTERFACE INFORMATION & FUNCTIONALITY.....	97
45	6.2.1	Module Base and Extended ID Information	97
46	6.2.2	Module Command, Control & FAWS.....	97
47	6.2.2.1	Password Control (Optional).....	97
48	6.2.2.2	Laser Frequency Setting Definition.....	98
49	6.2.2.3	MSA-100GLH Module Global Alarm System Logic.....	99
50	6.2.3	MDIO Write Flow Control	104
51	6.2.4	Module Monitored Parameters.....	105
52	6.2.5	Performance Monitoring	105
53	6.2.5.1	Performance Monitoring Tick.....	105

1	6.2.5.2	Statistics	106
2	6.2.5.3	Multi-Word Read Procedure	107
3	6.2.6	<i>Software Upgrade Capability</i>	107
4	6.2.7	<i>Auxiliary Channel over MDIO (Optional)</i>	112
5	6.2.8	<i>Module-to-Host Generic Data Upload</i>	114
6	6.2.9	<i>Bulk Data Block Register Structure</i>	116
7	6.2.9.1	Host-to-Module Transaction Structure.....	116
8	6.2.9.2	Module-to-Host Transaction Structure.....	117
9	6.3	MSA-100GLH MODULE REGISTER OVERVIEW	118
10	6.4	MSA-100GLH MODULE REGISTER DESCRIPTION	119
11	6.4.1	<i>CFP NVR 1 Table: Modified Base ID Registers for MSA-100GLH</i>	120
12	6.4.2	<i>CFP NVR 2 Table: Additional Alarm/Warning Thresholds Registers for MSA-100GLH</i>	121
13	6.4.3	<i>CFP NVR 3 Table: Network Lane BOL Measurement Registers</i>	122
14	6.4.4	<i>CFP NVR 4 Table: Additional Registers for MSA-100GLH</i>	123
15	6.4.5	<i>MSA-100GLH Module VR 1</i>	124
16	6.4.6	<i>MSA-100GLH Module Network Lane Specific Register Tables</i>	143
17	6.4.7	<i>MSA-100GLH Module Host Lane Specific Register Tables</i>	153
18	6.4.8	<i>MSA-100GLH Network Lane VR2 Registers (Optional)</i>	157
19	6.4.9	<i>Bulk Data Transfer Segment Registers</i>	159
20			

1 REVISION HISTORY

Revision	Date	Objective	By
External NDA Draft 0.1	12/23/2008	Initial release, work in progress	Jiashu Chen
External NDA Draft 0.2	01/26/2009	2 nd release for review	Jiashu Chen
External NDA Draft 0.3	02/19/2009	3 rd release for review	Jiashu Chen
External NDA Draft 0.4E	04/03/2009	4 th release for review	Jiashu Chen
External NDA Draft 0.4F	04/07/2009	Error corrected version of 0.4E for review	Jiashu Chen
Publication Draft 1.0	04/13/2009	First full draft for releasing to public.	Jiashu Chen
External NDA Draft 1.1	6/22/2009	Pre Public release Draft 1.2	Jiashu Chen
External NDA Draft 1.2 R1	8/31/2009	Pre Public release Draft 1.2	Jiashu Chen
External NDA Draft 1.2 R2	9/14/2009	Pre Public release Draft 1.2	Jiashu Chen
External NDA Draft 1.2 R2C	9/23/2009	Pre Public release Draft 1.2	Jiashu Chen
External NDA Draft 1.2 R2D	9/29/2009	Pre Public release Draft 1.2	Jiashu Chen
Publication Draft 1.2	9/30/2009	Second full draft for release to public	Jiashu Chen
External NDA Draft 1.3R5	4/16/2010	Pre Public Release for Draft 1.4	Jiashu Chen
External NDA Draft 1.3R6	5/20/2010	Pre Public Release for Draft 1.4	Jiashu Chen
Publication Version 1.4 (r1)	6/4/2010	Pre Publication release	Jiashu Chen
Publication Version 1.4 (r2)	6/4/2010	Pre Publication release	Jiashu Chen
Publication Version 1.4 (r3)	6/15/2010	Pre Publication release for MSA Members	Jiashu Chen
Publication Version 1.4 (r4)	6/21/2010	Pre Publication release	Jiashu Chen
Publication Version 1.4 (r5)	6/22/2010	Publication release	Jiashu Chen
Draft Version 2.0 (r7)	6/30/2011	<p>Pre Publication release for public review. This release implements OIF MSA-100G DWDM Transmission Module Management Interface Requirements. Specifically, added new Section 6: MSA-100GLH Module Management Interface, which includes:</p> <ul style="list-style-type: none"> - Module Base and Extended ID Information; - Module Command, Control & FAWS; - MDIO Write Flow Control - Additional Monitored Parameters and Performance Monitoring Functions for Long Haul DWDM; - Software Upgrade Capability; - Auxiliary Channel Interface over MDIO; - Generic Data Upload Capability - Bulk Data Transfer Procedure. <p>Added new Section 1.3: CFP MIS Version Compatibility.</p> <p>This release also includes CFP MIS V1.4 updates:</p> <ul style="list-style-type: none"> - Sec. 4.10.2/Table 11: Note 2 is amended "Further commands should NOT be issued without returning to idle"; - Sec. 5.1/Table 18: 0x8007h, code 	J. Anderson

		<p>point 09h = P111-3D1 (NRZ 40G 1300nm, 10km)</p> <ul style="list-style-type: none"> - Sec. 5.1/Table 18: 0x8071h.b2 & b1 changed to indicate whether Amplitude Adjustment Function is supported in A280h~A28Fh. - Sec. 5.5/Table 22: A011h: Initial value changed to 1b=1/64 Tx Ref Clk Rate Select; - Sec. 5.5/Table 22: A012h: Initial value changed to 1b=1/64 Rx Ref Clk Rate Select; - Sec. 5.5/Table 22: A029h: Initial value changed to A7F8h - Sec. 5.6/Table 23: A250h Initial value changed to E0DCh. <p>See complete list of changes in file: Comment_Log_CFP-MSA- MIS_V2p0_02_0312.xlsx</p>	
Publication Version 2.0(r8)	3/30/2012	Pre Publication release	J. Anderson
Publication Version 2.0(r9)	4/10/2012	<p>Publication release</p> <p>See complete list of changes in file: Comment_Log_CFP-MSA- MIS_V2p0_01_0412.xlsx</p>	J. Anderson

1 **REFERENCES**

- 2 1. IEEE Standard 802.3-2008
3 2. IEEE Std. 802.3ba™-2010
4 3. [INF-8074i, XENPAK MSA Issue 3.0](#)
5 4. [INF-8077i, XFP Specification Rev. 4.5](#)
6 5. CFP MSA Hardware Specification Draft 1.4
7 6. OIF-MSA-100GLH-EM-01.1, September, 2011

1 LIST OF FIGURES

2	<i>Figure 1 CFP Management Interface Architecture</i>	19
3	<i>Figure 2 CFP MDIO Management Frame Structure</i>	19
4	<i>Figure 3 State Transition Diagram during Startup and Turn-off</i>	31
5	<i>Figure 4 Module Startup Sequence Example 1: No Host Transition Control</i>	34
6	<i>Figure 5 Module Startup Sequence Example 2: Full Host Transition Control</i>	35
7	<i>Figure 6 Module Startup Sequence Example 3: Some Host Transition Control</i>	36
8	<i>Figure 7 Module Turn-off Sequence Example: No Host Transition Control</i>	37
9	<i>Figure 8 Module Start-up Sequence Example: Operating in RX Only Mode</i>	38
10	<i>Figure 9 FAWS Signal Model for a Single Bit</i>	39
11	<i>Figure 10 Global Alarm Signal Aggregation</i>	43
12	<i>Figure 11 CFP Built-in PRBS Components and Test Signal Flow</i>	47
13	<i>Figure 12 Restore and Save Command Execution State Diagram</i>	52
14	<i>Figure 13: MSA-100GLH Module Management Architecture</i>	96
15	<i>Figure 14: MSA-100GLH Module Global Alarm Signal Aggregation</i>	102
16	<i>Figure 15: Host-Module MDIO Write Flow Control</i>	104
17	<i>Figure 16: Host-Module Performance Monitoring Tick Synchronization</i>	106
18	<i>Figure 17: Software Upgrade State Machine</i>	110
19	<i>Figure 18: Software Upgrade Sequence</i>	111
20	<i>Figure 19: Host-to-Module Auxiliary Interface Data Transfer</i>	112
21	<i>Figure 20: Module-to-Host Auxiliary Interface Data Transfer</i>	114
22	<i>Figure 21: Module-to-Host Generic Data Upload</i>	116
23	<i>Figure 22: Host-to-Module Bulk Data Block Structure</i>	117
24	<i>Figure 23: Module-to-Host Bulk Data Block Structure</i>	118
25		

1 LIST OF TABLES

2	<i>Table 1 Glossary</i>	15
3	<i>Table 2 CFP Register Allocation</i>	21
4	<i>Table 3 Bit Pattern of a Two's Complement Byte Data</i>	23
5	<i>Table 4 Behavior of Signals Affected by Module State Transition</i>	32
6	<i>Table 5 Behavior of FAWS Type in Different Module States</i>	40
7	<i>Table 6 Global Alarm Related Registers</i>	41
8	<i>Table 7 Global Alarm Query Hierarchy</i>	42
9	<i>Table 8 Timing for Management Interface Control and Status</i>	44
10	<i>Table 9 Miscellaneous Timing</i>	46
11	<i>Table 10 CFP Ad-hoc Floating Point Number Examples</i>	48
12	<i>Table 11 User NVRs Access Control Register (A004h)</i>	49
13	<i>Table 12 Restore and Save Command State Definitions</i>	50
14	<i>Table 13 Restore and Save Command State Transitions</i>	50
15	<i>Table 14 Hardware Pin PRG_CTRL1 and PRG_CNTL1 Pin State Logical Relationship</i> ...	53
16	<i>Table 15 Programmable Control Functions</i>	53
17	<i>Table 16 Programmable Alarm Sources</i>	54
18	<i>Table 17 Table Column Description</i>	55
19	<i>Table 18 Date Code Example</i>	62
20	<i>Table 19 CFP NVR 1</i>	65
21	<i>Table 20 CFP NVR 2</i>	72
22	<i>Table 21 CFP NVR 3</i>	73
23	<i>Table 22 CFP NVR 4</i>	74
24	<i>Table 23 CFP Module VR 1</i>	76
25	<i>Table 24 Network Lane VR 1</i>	90
26	<i>Table 25 Network Lane VR 2</i>	92
27	<i>Table 26 Host Lane VR 1</i>	94
28	<i>Table 27: Register Access under Password Control</i>	98
29	<i>Table 28: MSA-100GLH Global Alarm Related Registers</i>	99
30	<i>Table 29: Global Alarm Query Hierarchy</i>	101
31	<i>Table 30: MSA-100GLH Module Management Register Overview</i>	119
32	<i>Table 31: CFP NVR 1 Modified Registers</i>	120
33	<i>Table 32: CFP NVR 2 Added Registers</i>	121
34	<i>Table 33: CFP NVR 3 Network Lane BOL Measurement Registers</i>	122
35	<i>Table 34: CFP NVR 4 Registers</i>	123
36	<i>Table 35: MSA-100GLH Module VR 1 Registers</i>	124
37	<i>Table 36: MSA-100GLH Module Network Lane VR 1 Registers</i>	143
38	<i>Table 37: MSA-100GLH Module Network Lane VR 2 Registers</i>	148
39	<i>Table 38: MSA-100GLH Module Host Lane VR 1 Registers</i>	153
40	<i>Table 39: MSA-100GLH Network Lane VR 2 Registers</i>	157
41	<i>Table 40: Bulk Data Transfer VR 2 Registers</i>	159
42		

1 **1 DOCUMENT SUMMARY**

2 **1.1 Background**

3 This technical document, CFP MSA Management Interface Specification, has been created
4 by the CFP MSA group as a basis for a technical agreement between CFP module users
5 and vendors, together with its companion document CFP MSA Hardware Specification.

6
7 Version 1.4 (r5) is the first public publication release supporting the CFP MSA Hardware
8 Specification.

9
10 In Version 2.0, the CFP MSA Management Interface Specification is extended to support
11 the OIF 100G Long-Haul DWDM Transmission Module Electro-mechanical MSA (MSA-
12 100GLH) [6].

13
14 This document is not a warranted document. Each CFP or MSA-100GLH module supplier
15 will have their own datasheet. If the users wish to find a warranted document, they should
16 consult the datasheet of the chosen module vendor.

17
18 The CFP MSA group reserves the rights at any time to add, amend, or withdraw technical
19 data contained in this document.

20 **1.2 CFP Management Interface**

21 CFP MSA Hardware Specification specifies the use of Management Data Input/Output
22 (MDIO) as the management interface between a Host and a CFP module. While the
23 hardware specification defines the hardware aspects of the MDIO interface such as its
24 electrical characteristics and timing requirements, this document defines a set of MDIO
25 registers suitable for CFP or MSA-100GLH module applications following MDIO interface
26 definition in IEEE 802.3 Clause 45.

27 28 **1.3 CFP Management Interface Specification Version Compatibility**

29 Version 1.4 is the first public publication release of the CFP Management Interface
30 Specification supporting the CFP MSA Hardware Specification V1.4. Version 2.0 of the
31 CFP Management Interface Specification is extended to support the OIF MSA-100GLH
32 module electro-mechanical specification [6]. In particular, Section 6 is added in Version 2.0
33 which specifies added functionality and registers for supporting the OIF MSA-100GLH
34 module management interface. Implementation of 0xB000 page registers specified in
35 Section 6 requires the use of Write Flow Control which is inherently incompatible with
36 register write access implemented in Version 1.4.

37
38 To provide version backwards compatibility, 0xA000 page registers specified in Version 1.4
39 are maintained in Version 2.0 without requiring Write Flow Control. The Version 2.0 0xA000
40 page registers are not extended or modified for supporting the OIF MSA-100GLH module

1 management interface. There are some modifications to the Version 2.0 0xA000 page
2 registers to correct errors in Version 1.4 0xA000 page registers.

3
4 To provide version forward compatibility, Version 1.4 0xA000 page registers are duplicated
5 in the 0xB000 page registers of Version 2.0 with enhancements and modifications for
6 supporting the OIF MSA-100GLH module management interface. The 0xB000 page
7 registers requires Write Flow Control. In this manner, host system and module suppliers
8 may implement Version 2.0 0xB000 page registers for supporting both CFP MSA and OIF
9 MSA-100GLH hardware specifications. A host system implementing Version 1.4 CFP MSA
10 Management Interface Specification would not be compatible with modules implementing
11 Version 2.0 CFP MSA Management Interface Specification.

12 **1.4 Content of this document**

13 Section 1 is the summary of this document. Section 2 provides an overview of the CFP
14 management interface, including a sample block diagram, MDIO command frame, and the
15 CFP register set. Section 3 layouts the overview of the CFP register set. Section 4
16 presents detailed discussions of the Host/Module control and signaling theory. Section 5
17 gives a series of tables describing the details of all CFP registers. Section 6 specifies
18 management interface functions and registers for supporting the OIF MSA-100GLH DWDM
19 Transmission Module.

20 **1.5 Notations**

21 **1.5.1 Hardware Signal Name**

22 Signals transmitted over CFP or MSA-100GLH module connector pins are considered as
23 hardware signals. Hardware signals names are directly quoted from the CFP MSA
24 Hardware Specification or MSA-100GLH, formed with all upper case letters and numbers
25 with the exception of a lower case letter as the post script for some cases. Examples are
26 MOD_LOPWR and MOD_RSTn.

27 **1.5.2 Soft (MDIO) Signal Name**

28 Signals transmitted over CFP Management Interface are considered as “Soft” signals or
29 MDIO signals. They are represented by CFP Registers or register bits. Soft signals have
30 their names denoted by one or more words or acronyms connected with or without
31 underscores. If the name consists of multiple words each word shall have its first character
32 capitalized. Examples are Soft GLB_ALRM Test, Soft Module Reset, etc. Some Soft
33 signals used as the defaults for programmable hardware pins are denoted in the manner of
34 Hardware Signal names, such as GLB_ALRM, HIPWR_ON, and MOD_READY.

35 **1.5.3 CFP Register Name and Address**

36 The names of CFP registers are formed with one or more English words, with each word’s
37 first character capitalized and space in between. Each register address is a 16-bit hex
38 number. When a particular bit in a register is addressed its address is denoted by x.y

1 where the x is the register address and y is the bit address, a decimal number ranging from
2 0 to 15. When several bits in a register are addressed the address format is x.y~z, where y
3 and z are boundary bits. The sign “~” is used to represent all the bits in between.

4 **1.5.4 Numbers**

5 Hex numbers are post-fixed by a lower case letter “h”, for example, A000h. Binary
6 numbers are post-fixed by a lower case letter “b” such as 11b and 1101b. Decimal
7 numbers have neither prefix nor postfix. With this notation, an example of bit 15 at register
8 A001 (hex) has the format of A001h.15.

9 **1.5.5 Special Characters**

10 Whenever possible, the special characters are avoided. For example, the symbol of
11 micrometer is designated as “um” or micro-meter instead of “ μ m” to prevent format loss in
12 the editing process.

13 **1.6 Glossary**

14 The often used nomenclatures in this document are listed in the following glossary table for
15 reference.
16

17 *Table 1 Glossary*

Terminology	Description
APD	Avalanche Photodiode
BOL	Beginning Of Life
IEEE 802.3	IEEE Standard 802.3-2008
CFP MSA Specifications	CFP MSA Specifications define a hot-pluggable optical transceiver form factor to enable 40Gbps and 100Gbps applications, including next-generation High Speed Ethernet (40GbE and 100GbE). CFP MSA Specifications consist of two major documents: CFP MSA Hardware Specification and CFP MSA Management Interface Specification (this document).
CFP module	A transceiver compliant to CFP MSA. The term “module” refers to CFP module unless otherwise specified.
CFP register(s)	A CFP register collects certain related management information in a basic form of a 16-bit word, occupying one MDIO register address. The term “register” refers to CFP register unless otherwise specified.
CMU	Clock Multiplier Circuit.
Control	It refers to the Host control functions to the module over Management Interface. It also includes the support of programmable control pin logic.
DDM	Digital Diagnostic Monitoring. It includes CFP module functions of A/D value reporting, FAWS logic, and programmable alarm pin logic.
FAWS	Fault, Alarm, Warning, and Status.
GLB_ALARM	It is a CFP module internally generated signal that drives GLB_ALARMn pin.
GLB_ALARMn	Global alarm hardware signal pin defined in CFP MSA Hardware Specification.
HIPWR_ON	High power mode of module operation.

Terminology	Description
Host	It is equivalent to Station Management Entity (STA) of IEEE 802.3. It sources MDC (MDIO Clock).
Host Lane	It refers to high speed data lane between a Host and a CFP module.
HW_Interlock	It is a logic signal CFP module generates internally based on Hardware Interlock [Reference 5]. It is defined as follows: 1 if CFP module power dissipation/consumption is greater than the Host cooling capacity 0 if CFP module power dissipation/consumption is equal or less than the Host cooling capacity or if Hardware Interlock is not used.
MOD_LOPWR	Hardware signal driving CFP module into Low-Power State. Reference CFP MSA Hardware Specification Rev. 1.4 for details.
MOD_LOPWRs	Combined Module Low Power Signal. Refer to Section 4.1.1.2.
MOD_RSTn	Hardware signal driving CFP module into Reset State. Reference CFP MSA Hardware Specification Rev. 1.4 for details.
MOD_RSTs	Combined Module Reset Signal. Refer to Section 4.1.1.1.
MSA-100GLH	OIF 100G Long-Haul DWDM Transmission Module Electro-mechanical MSA
Network Lane	It refers to data lane between CFP module and network, say, optical network.
NVM	Non-Volatile Memory
NVR	Non-Volatile Register
OMA	Optical Modulation Amplitude
PLL	Phase-Locked Loop
PMD	Physical Medium Dependent
Signal	Information represented by hardware pins or CFP register bits and/or transmitted over the management interface or hardware connector.
SOA	Solid-State Optical Amplifier
TX_DIS	Refer to [Reference 5] for description.
TX_DISs	Combined Transmitter Disable Signal. Refer to Section 4.1.1.3.
User	The customer of CFP module.
Vendor	The manufacturer of CFP module.
VR	Volatile Register

1

2 CFP MANAGEMENT INTERFACE

2.1 Overview

CFP Management Interface is the main communication interface between a Host and a CFP module. Host uses this interface to control and monitor the startup, shutdown, and normal operation of the CFP modules it manages. This interface operates over a set of hardware pins through the CFP module connector and a set of software based protocols.

The primary protocol of CFP Management Interface is specified using MDIO bus structure following the general specification of IEEE 802.3 Clause 45 and on-going IEEE 802.3 40GbE and 100GbE standardization project.

From a hardware point of view, CFP Management Interface consists of following 8 hardware signals: 2 hardware signals of MDC and MDIO, 5 hardware signals of Port Address, and 1 hardware signal GLB_ALRMn. MDC is the MDIO Clock line driven by the Host and MDIO is the bi-directional data line driven by both the Host and module depending upon the data directions. The CFP Management Interface uses these hardware signals in the electrical connector to instantiate the MDIO interface, listed in Table 2.4 MDIO Interface Pins, in *CFP MSA Hardware Specification*.

From a software/protocol point of view, CFP Management Interface consists of the MDIO management frame, a set of CFP registers, and a set of rules for host control, module initialization, and signal exchange between these two. To avoid the conflict with IEEE 802.3, CFP register set does not use the addresses from 0000h to 7FFFh at the present time. The CFP registers use the addresses from 8000h to FFFFh, totaling 32768 addresses.

2.2 Specifications

With compliance to IEEE 802.3 Clause 45, CFP MSA defines the following additional specifications for CFP MDIO interface.

- a) Support of MDC rate up to 4 MHz while maintaining the downward compatibility to 100 kHz.
- b) Both read and write activities occurring on the rising edge of the MDC clock only.
- c) Supports MDIO Device Address 1 only, among 32 available addresses.

2.2.1 Optional Features

This specification provides a number of optional features. Compliance with this specification does not require the implementation of these optional features by the module supplier. All such optional features shall be clearly identified as "Optional" in the corresponding register and bit definitions as well as the related text.

1 **2.2.1.1 Optional Controls**

2 The module supplier shall explicitly indicate the presence (or absence) of each optional
3 control in the Module Enhanced Options registers in NVR register space. This allows the
4 host to dynamically determine feature availability on a module-by-module basis.

5 **2.2.1.2 Optional FAWS signals**

6 Optional FAWS register bits do not require identification in Module Enhanced Options
7 registers in NVR register space.

8 **2.3 Interface Architecture**

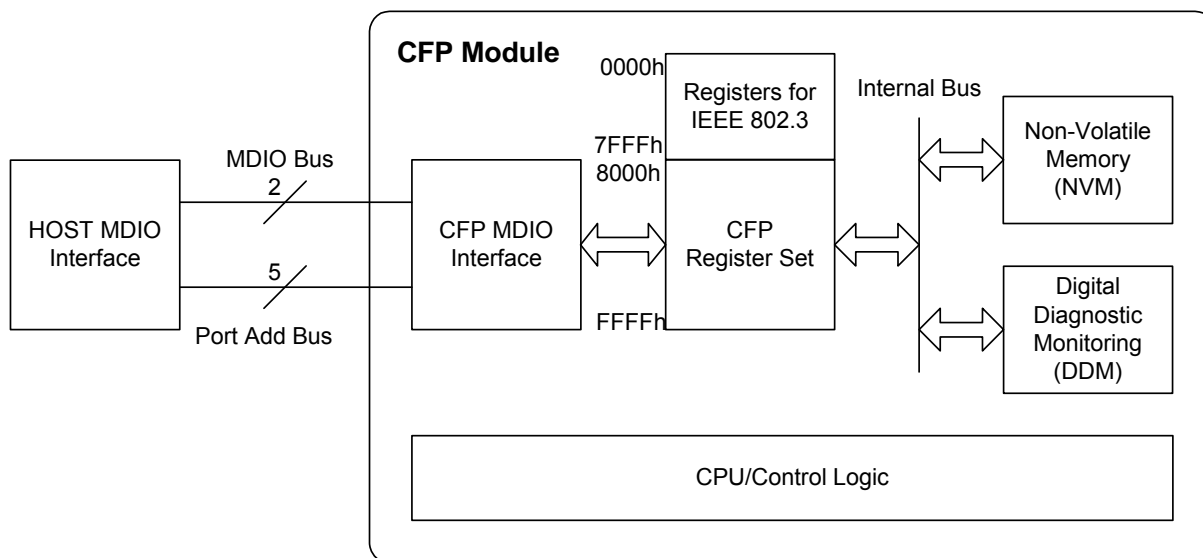
9 CFP MSA exemplifies a MDIO interface architecture illustrated in *Figure 1 CFP*
10 *Management Interface Architecture*. This architecture recommends a dedicated MDIO logic
11 block in the CFP module to handle the high rate MDIO data and a CFP register set that is
12 divided into two register groups, the Non-Volatile Registers (NVR) and the Volatile
13 Registers (VR). The NVRs are connected to a Non-Volatile Memory device for
14 ID/Configuration data storage. Over the internal bus system, the VRs are connected to a
15 device that executes the Host control commands and reports various Digital Diagnostic
16 Monitoring (DDM) data. Note in the rest of this documentation, independent of
17 implementation, CFP registers are also referred as NVRs or VRs.

18
19 In implementation, CFP registers shall use fast memory to shadow the NVM data and the
20 DDM data. The shadow registers decouple the Host-side timing requirements from module
21 vendor's internal processing, timing, and hardware control circuit introduced latency. Then
22 this CFP shadow register set shall meet the following requirements:

- 23
24 a) It supports dual access from the Host and from module internal operations such as
25 NVM and DDM data transfers.
- 26 b) It supports continuous Host access (read and write) with fast access memory at
27 maximum MDC rate of 4 MHz.
- 28 c) It allows the uploading of NVM content into the CFP register shadow during module
29 initialization. The data saving from CFP register shadow to NVM shall also be
30 supported.
- 31 d) It supports the DDM data update periodically during the whole operation of the
32 module. The maximum data refresh period shall meet the 100 ms for single network
33 lane applications. If the number of lanes is greater than one, then the maximum
34 data refresh period shall be $50 * (N + 1)$ ms, where N = number of network lanes
35 supported in the application.
- 36 e) It supports the whole CFP register set including all NVRs and VRs.
- 37 f) Incomplete or otherwise corrupted MDIO bus transactions shall be purged from
38 memory and disregarded.
- 39 g) The port address shall be allowed to change in fly without a module reset.
- 40
41

1

Figure 1 CFP Management Interface Architecture



2
3

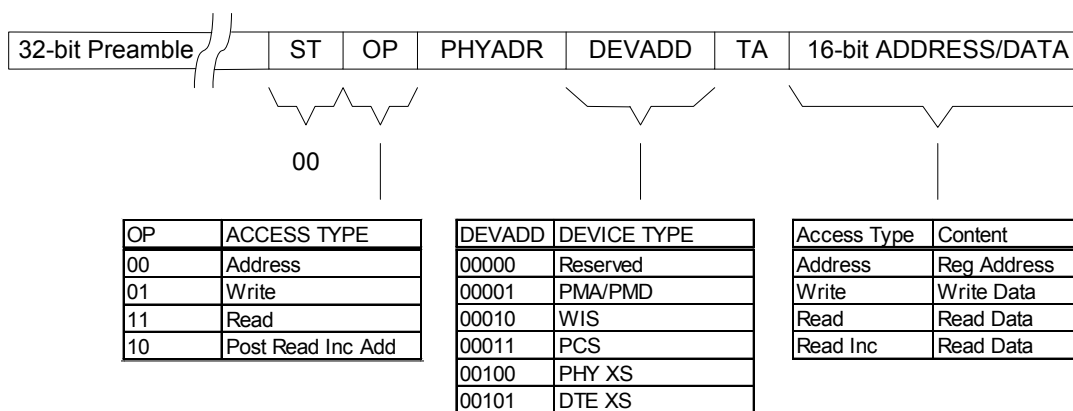
4 **2.4 MDIO Management Frame Structure**

5 CFP MDIO interface uses the communication data frame structure defined in IEEE 802.3
6 Clause 45. Each frame can be either an address frame or a data frame. The total bit
7 length of each frame is 64, consisting of 32 bits preamble, and the frame command body.
8 The command body consists of 6 parts illustrated in *Figure 2 CFP MDIO Management*
9 *Frame Structure*.

10

11

Figure 2 CFP MDIO Management Frame Structure



ST = start bits (2 bits),
OP = operation code (2 bits),
PHYADR = physical port address (5 bits),
DEVADD = MDIO device address (or called device type, 5 bits),
TA = turn around bits (2 bits),
16-bit ADDRESS/DATA is the payload.

12

1 **3 CFP REGISTER OVERVIEW**

2 **3.1 CFP Register Space**

3 The total CFP register space (from 8000h to FFFFh) is logically divided into 8 pages with
4 each page starting at even hex thousand, that is, 8000h, 9000h, A000h, ..., F000h. Each
5 page has 4096 addresses and is further divided into 32 tables. Each table has 128 CFP
6 register addresses. Note that there is no physical boundary in between pages and tables.
7 The sole purpose of this logical segmentation is for the convenience of CFP register space
8 allocation and access control. The overview of the CFP register allocation is listed in Table
9 2 CFP Register Allocation.

10 **3.2 Non-volatile Registers (NVRs)**

11 CFP MSA specifies the starting address of all non-volatile registers at 8000h and it
12 specifies 8 NVR tables for storing module ID information, setup data, and additional data
13 stored by vendor and user. All NVR tables are implemented with lower 8-bit of space filled
14 with data and the upper 8-bit of space reserved. A fully populated table shall require a
15 maximum of 128 bytes of NVM to back up.

16 **3.2.1 CFP NVR Tables**

17 CFP MSA specifies CFP NVR 1 table for storing Basic ID data, CFP NVR 2 table for storing
18 Extended ID data, CFP NVR 3 table for storing Network Lane Specific data. CFP NVR 4
19 table is allocated for storing Host Lane Specific data. Currently only the checksum of CFP
20 NVR 3 is stored in CFP NVR 4 table.

21 **3.2.2 Vendor NVR Tables**

22 Vendor NVR 1 and Vendor NVR 2 tables are allocated for storing additional data that can
23 be used by the vendor.

24 **3.2.3 User NVR Tables**

25 The User NVR 1 and User NVR 2 tables are allocated for module user to store data. User
26 has the full read/write access to these tables.

27 **3.2.4 NVR Content Management**

28 All populated CFP NVR tables shall be backed up by physical non-volatile memory (NVM).
29 On module Initialize, CFP NVR tables shall be uploaded with stored NVM values. CFP
30 module vendor shall manage the content of CFP NVR tables.

31
32 The content and management of Vendor NVR tables and User NVR tables are subject to
33 additional agreement between user and vendor.

1 **3.2.5 User Private Use Registers**

2 Starting at 8F00h, two additional tables are allocated for “User private use”. CFP MSA
3 does not specify nor restricts the use of these tables. The use of these User Private Use
4 Registers is subject to additional agreement between CFP module users and vendors.
5

6 *Table 2 CFP Register Allocation*

CFP Register Allocation					
Starting Address in Hex	Ending Address in Hex	Access Type	Allocated Size	Data Bit Width	Table Name and Description
0000	7FFF	N/A	32768	N/A	Reserved for IEEE 802.3 use.
8000	807F	RO	128	8	CFP NVR 1. Basic ID registers.
8080	80FF	RO	128	8	CFP NVR 2. Extended ID registers.
8100	817F	RO	128	8	CFP NVR 3. Network lane specific registers.
8180	81FF	RO	128	8	CFP NVR 4.
8200	83FF	RO	4x128	N/A	MSA Reserved.
8400	847F	RO	128	8	Vendor NVR 1. Vendor data registers.
8480	84FF	RO	128	8	Vendor NVR 2. Vendor data registers.
8500	87FF	RO	6x128	N/A	Reserved by CFP MSA.
8800	887F	R/W	128	8	User NVR 1. User data registers.
8880	88FF	R/W	128	8	User NVR 2. User data registers.
8900	8EFF	RO	12x128	N/A	Reserved by CFP MSA.
8F00	8FFF	N/A	2x128	N/A	Reserved for User private use.
9000	9FFF	RO	4096	N/A	Reserved for vendor private use.
A000	A07F	R/W	128	16	CFP Module VR 1. CFP Module level control and DDM registers.
A080	A0FF	RO	128	16	Reserved by CFP MSA.
A100	A1FF	RO	2x128	N/A	Reserved by CFP MSA.
A200	A27F	R/W	128	16	Network Lane VR 1. Network lane specific registers.
A280	A2FF	R/W	128	16	Network Lane VR 2. Network lane specific registers.
A300	A3FF	RO	2x128	N/A	Reserved by CFP MSA.
A400	A47F	R/W	128	16	Host Lane VR 1. Host lane specific registers.
A480	AFFF	RO	23x128	N/A	Reserved by CFP MSA.
B000	FFFF	RO	5x4096	N/A	Reserved by CFP MSA.

7 Note: This register allocation is for CFP modules compliant with CFP MSA MIS V1.4, i.e. without Write Flow
8 Control. Register allocation specified in Section 6 is for OIF MSA-100GLH and CFP modules compliant with
9 CFP MSA MIS V2.0, i.e. with Write Flow Control.

1 **3.3 Volatile Registers (VRs)**

2 Page A000h is allocated for volatile registers. CFP MSA specifies 4 VR tables for module
3 configuration, control, and various DDM related functions. All VR registers are 16-bit data
4 with unused bits reserved. A fully populated table requires a maximum of 256 bytes of
5 physical memory. There is no NVM backup for VR registers but CFP MSA specifies their
6 initial values.

7 **3.3.1 CFP Module VR 1 Table**

8 This table, starting at address A000h, contains command/setup, module control, lane
9 control, Module state, FAWS (fault/alarm/warning/status), FAWS Summary, and other DDM
10 related registers. All registers are assigned with initial values to insure the correct startup
11 condition.

12 **3.3.2 Network Lane Specific Register Table**

13 Two tables starting from A200h and ending at A2FFh are allocated to support network lane
14 specific registers including lane FAWS, controls, and A/D values (For copper network lanes
15 some of the DDM register support may not apply.). For each supported register, CFP MSA
16 allocates a 16-lane array for it. Should in the future more than 16 lanes are needed
17 additional tables can be allocated in the subsequent reserved addresses.

18 **3.3.3 Host Lane Specific Register Table**

19 One table starting at A400h is allocated to support host lane specific registers. For each
20 supported parameter, CFP MSA allocates a 16-lane array for it. Should in the future more
21 than 16 lanes are considered additional tables can be allocated in the subsequent reserved
22 addresses.

23 **3.4 Module Vendor Private Registers**

24 Page 9000h is reserved exclusively for module vendors of CFP module for their
25 development and implementation needs.

26 **3.5 Reserved CFP Registers**

27 All reserved CFP registers and all the reserved bits in a CFP register shall be “read-only”
28 and they shall be read as all-zeros. Writing to reserved CFP registers or bits shall have no
29 effect. CFP registers related to unused lanes for a specific module type shall be treated as
30 reserved CFP registers. An example would be CFP registers relating to network lanes 15:4
31 for a 100GBASE-LR4 module (in which only network lanes 3:0 are active).

32 **3.5.1 Un-implemented Registers**

33 A particular CFP module may not implement every function by this Specification. The
34 registers or bits in the registers representing the un-implemented functions shall be read as
35 0. Writing to these registers or register bits has no effect.

1 **3.6 CFP Register Data Types**

2 A CFP register collects management information in a basic form of a 16-bit word,
3 occupying one MDIO register address. CFP Registers support the following data types.

4 **3.6.1 Byte**

5 A byte can represent a signed number, unsigned number, or an array of 8-bit value. If a
6 CFP register only contains one byte of data, it allocates the least significant 8 bits for it, with
7 all most significant 8 bits reserved. All the non-volatile registers contain a byte with bit 7
8 being the most significant bit.

9 **3.6.2 Word**

10 A word is a 16-bit-wide data type. It can represent a signed number, unsigned number, or
11 an array of 16-bit values. It can also be used as 2 bytes, the most significant byte and the
12 least significant byte. The most significant byte occupies the bits from 15 to 8. The least
13 significant byte occupies the bits from 7 to 0. All the volatile registers contain a word with
14 bit 15 being the most significant bit.

15 **3.6.3 Bit Field**

16 A CFP register can contain one or more bit fields. A bit field consists of one or more bits,
17 which can represent a number or an array of bit values. If a bit field represents a number
18 the bit with the highest bit number is the most significant bit.

19 **3.6.4 Two's Complement**

20 Wherever signed byte is used, two's complement is assumed. *Table 3* illustrates the
21 example bit patterns and values of a signed byte in two's complement form. For a 16-bit
22 signed word, the same format applies with the most significant bit (bit 15) to be the sign bit.
23 The value of +32767 = 7FFFh and the value of -32768 = 8000h.
24

25 *Table 3 Bit Pattern of a Two's Complement Byte Data*

BIT 7 (SIGN BIT)	BIT 6	BIT 5	BIT 4	BIT 3	BIT 2	BIT 1	BIT 0		VALUE
0	1	1	1	1	1	1	1	=	+127
0	0	0	0	0	0	0	1	=	+1
0	0	0	0	0	0	0	0	=	0
1	1	1	1	1	1	1	1	=	-1
1	0	0	0	0	0	0	1	=	-127
1	0	0	0	0	0	0	0	=	-128

26

1 4 **CFP CONTROL AND SIGNALING THEORY**

2 4.1 **CFP Module States and Related Signals**

3 To facilitate a well-defined CFP module startup and module turn-off sequences and other
4 applications, CFP MSA specifies a list of CFP module states that CFP module shall
5 support.

6
7 In association with these states, a set of signals that are related to state transitions are also
8 defined. In the following text, a signal name with a lower-case "s" suffix stands for a
9 combination of multiple signals.

10 4.1.1 **Signals Affecting Transition of CFP Module States**

11 Three inputs and one internally generated signal are defined and each of them is a logical
12 combination of hardware signal status, CFP register bit status, and module internally
13 generated logic signals in some cases. These signals affect the state transition.

14 4.1.1.1 **Combined Module Reset Signal MOD_RSTs**

15 For reset operation, CFP module internally defines MOD_RSTs as follows:

16 $MOD_RSTs = (\text{NOT } MOD_RSTn) \text{ OR (Soft Module Reset) OR } Vcc_Reset,$
17 where,

18 MOD_RSTn is the hardware pin input,

19 Soft Module Reset is a CFP register bit, de-asserted in Reset and,

20 Vcc_Reset is the CFP internally generated logic signal indicating the validity of Vcc

21
22 $Vcc_Reset = 1$ if Vcc at connector is lower than a specified threshold,
23 $= 0$ if Vcc is within range.
24

25 Note that Vcc_Reset does not correspond to the operating voltage range specified in
26 the CFP MSA Hardware specification. Vcc_Reset is the threshold voltage below
27 which the module is held in reset, and above which normal operation can be
28 initiated.

29
30 The threshold for Vcc_Reset is vendor specific and shall be lower than Vcc Low
31 Alarm Threshold (808Eh).

32 4.1.1.2 **Combined Module Low Power Signal MOD_LOPWRs**

33
34 $MOD_LOPWRs = MOD_LOPWR \text{ OR (Soft Module Low Power) OR } HW_Interlock,$
35 where,

36 MOD_LOPWR is the hardware pin input,

37 Soft Module Low Power is the CFP register bit, de-asserted in Reset, HW_Interlock
38 is defined below.

1 **4.1.1.2.1 HW Interlock**

2 HW_Interlock (hardware interlock) is an internally generated logic value, based upon the
3 comparison between the module's power class (Refer to Reference 5, Section 2.2.1.4 for
4 power class definition) versus the host cooling capacity as encoded on the HW_IL_MSB
5 and HW_IL_LSB input pins. Its purpose is to prevent an otherwise-dangerous high power
6 condition which might harm either the host or the module itself, due to power requirements
7 which the host is not able to support.

8 The status of HW_Interlock is defined as follows:

9 HW_Interlock = 0 if HW_IL_MSB and HW_IL_LSB = 11b or,
10 HW_Interlock = 0 if module power <= Host cooling capacity, else
11 HW_Interlock = 1 if module power > Host cooling capacity.

12 In operation, the module samples the status of the HW_IL_MSB and HW_IL_LSB input
13 pins once during the Initialize State. To ensure a reliable sampling, Host shall hold
14 HW_IL_MSB and HW_IL_LSB signal valid until the module exits Initialize State. The
15 module stores these values in a variable HW_IL_inputs. (The Host is free to reprogram the
16 usage of the PRG_CNTLn input pins and change their values at any time after the module
17 exits the Initialize State.)

18 When both the MOD_LOPWR input pin and the Soft Module Low Power register bit are de-
19 asserted, the module then compares the variable HW_IL_inputs to the power class for
20 which it is designed (Defined in the Power Class field of register 8001h). The result of this
21 comparison updates the HW_Interlock status. The module remains in the Low-Power
22 State if HW_Interlock evaluates to '1' (this does not result in a transition to the Fault
23 State). Conversely, if HW_Interlock evaluates to '0', the module is allowed to transition to
24 the High-Power-up State.

25 **4.1.1.3 Combined Transmitter Disable Signal TX DISs**

26 TX_DISs = TX_DIS **OR** (Soft TX Disable),
27 where,

28 TX_DIS is the hardware pin,
29 Soft TX Disable is a CFP register bit, de-asserted in Reset.
30

31 **4.1.1.4 Fault Conditions**

32 Fault conditions are represented by all the non-reserved bits except bit 0 in the Module
33 Fault Status register. Each bit is driven by a particular fault condition through hardware or
34 software means in CFP module. Any assertion of these bits causes the CFP module to
35 enter the Fault state.

36 **4.1.1.5 Minimum Signal Duration**

37 The host shall provide the minimum assert/de-assert pulse width of 100 micro-seconds to
38 guarantee the module to enter a transient state. The module's behavior for pulse width less

1 than 100 micro-seconds is un-defined. (This clause is subject to removal per Group
2 discussion. The timing of these signals shall be defined by CFP MSA HW Spec. – Editor)

3 **4.1.2 Signals Affected by Module Insertion or State Transition**

4 CFP MSA specifies a number of output signals, both in the form of hardware pins and CFP
5 register bits, reporting to the Host the transitions between states. In most of cases, the
6 hardware pins are mirrored with CFP register bits.

7 **4.1.2.1 MOD_ABS**

8 This is a hardware signal which reports the presence of an inserted CFP module to the
9 Host. There is no MDIO register counterpart of it. For more information please refer to
10 Reference [5].

11 **4.1.2.2 GLB_ALRM**

12 GLB_ALRM is a CFP internal signal that is the invert signal of GLB_ALRMn. The latter is
13 the hardware signal, as an interrupt request to the Host, reporting FAWS occurrence during
14 module operation. When the CFP module detects that any bit is asserted in CFP FAWS
15 latch registers (A022h through A026h), it shall assert GLB_ALRM, provided that those latch
16 bits are enabled by CFP FAWS enable registers (A028h through A02Ch). GLB_ALRM is
17 cleared upon the Host reading corresponding latched CFP registers.

18 **4.1.2.3 INIT_DONE**

19 INIT_DONE is a CFP internally generated and used signal indicating the completion of
20 module initialization. This signal is dedicated to module startup process and it is asserted
21 upon exiting the Initialize state. This signal remains asserted until MOD_RSTs is asserted.

22 **4.1.2.4 HIPWR_ON**

23 HIPWR_ON is a CFP internally generated status signal represented by a CFP register bit.
24 It is the logical OR of TX-Off state, Turn-TX-on state, Ready state, and TX-Turn-off. It is
25 asserted when the module exits High-Power-up state and remains asserted whenever the
26 module is not in the Low Power condition.

27 **4.1.2.5 MOD_READY (Ready State)**

28 MOD_READY is an alias of Ready State bit in Module State register. The Ready State bit
29 is asserted when the module enters Ready state and remains asserted as long as the CFP
30 module is in the Ready state.

31 **4.1.2.6 MOD_FAULT (Fault State)**

32 MOD_FAULT is an alias of Fault State bit in Module State register. The Fault State is
33 asserted when the module enters Fault state and remains asserted as long as the CFP
34 module is in the Fault state.

35 **4.1.3 CFP Module States**

36 CFP MSA specifies 10 CFP module states in the context of defining the startup, normal
37 operation, and module turn-off sequences. Five of the 10 states are steady states and the

1 rest are transient states. The behavior of input and output to a state, and the state itself
2 shall be defined for the clear hand-shaking between the Host and the CFP module.

3
4 Host can read CFP Registers Module State and Module State Latch to determine the
5 module state at the time of read, except in Reset State and Initialize State.

6 **4.1.3.1 Reset State (Steady)**

7 MOD_RSTs assertion causes CFP module to reset, including reset of any digital circuitry
8 that may consist of module control function and any high speed circuitry if they are re-
9 settable. In particular the MDIO interface will be held in a high impedance state.

10 Therefore, the Host will read "FFFFh" from any CFP register addresses while a host write
11 will have no effect.

12
13 In this state, all circuits are in low power mode and stay in reset whenever MOD_RSTs is
14 asserted. The MOD_RSTs supersedes the status of other input such as MOD_LOPWRs
15 and TX_DISs.

16
17 Module reset shall happen when MOD_RSTs is asserted, when 3.3 V power supply is
18 turned on, or when CFP module is hot-plugged in to the connector. When CFP module is
19 already in connector, MOD_RSTs assertion can be used to resolve any hardware hang-up,
20 particularly a communication hang-up or other types of control hang-ups.

21
22 Reset state is a steady state and shall exit to Initialize State upon the de-assertion of
23 MOD_RSTs.

24 **4.1.3.2 Initialize State (Transient)**

25 Upon entering this state, CFP module shall keep MDIO interface held at high impedance
26 state during the initialization. All the host-reads return "FFFFh" and all the host-writes have
27 no effect.

28
29 Upon the completion of initialization, all the NVRs are loaded with NVM values and VRs are
30 initialized. Analog A/D Value Registers shall be read with live values. All the allowed
31 FAWS registers shall contain valid data. CFP module shall then release the hold of MDIO
32 interface and assert GLB_ALRM bit to alert the Host of this MDIO ready condition.

33
34 On the exit of initialization, the CFP module shall enter Low-Power State. If initialization
35 fails, it shall enter Fault State. Initialize State is a transient state. The CFP MSA specifies
36 the maximum initialization time to be 2.5 seconds.

37 **4.1.3.3 Low-Power State (Steady)**

38 CFP module enters and stays in the Low-Power state when MOD_LOPWRs is asserted. In
39 Low-Power state, the MDIO interface and control circuits shall remain powered and fully
40 functional. All other high-power consuming circuits shall be in low-power condition.

1 In this state, the PHYs are powered down and loop-back is not possible. The nAUI outputs
2 shall go to a steady state (no transitions).

3
4 Low-Power state is a steady state and it shall exit to High-Power-up state upon the de-
5 assertion of MOD_LOPWRs.

6 **4.1.3.4 High-Power-up State (Transient)**

7 The Host drives CFP module into High-Power-up state from Low-Power state by the
8 transition of de-asserting MOD_LOPWRs. In this state CFP module powers up all the
9 functional circuitry and completes all required initialization such as inrush current control,
10 TEC temperature stabilization, etc.

11
12 Upon entering the High-Power-up state, the module shall assert HIPWR_ON signal and
13 then shall enter TX-Off state. If the powering up process fails CFP module shall enter the
14 Fault state and de-assert HIPWR_ON.

15
16 High-Power-up is a transient state. The time it takes to complete the process varies from
17 module to module depending upon applications. The vendor shall specify the application-
18 specific value in Maximum High-Power-up Time CFP register.

19
20 In this state, the nAUI outputs are not defined.

21 **4.1.3.5 TX-Off State (Steady)**

22 CFP module enters and stays in the TX-Off state when TX_DISs is asserted. In TX-Off
23 state, the transmitters in all the network lanes are turned off but all other parts of the
24 module remain high powered and functional.

25
26 TX-Off state is a steady state and it shall exit to TX-Turn-on state upon the de-assertion of
27 TX_DISs, or it shall exit to High-Power-Down state upon the assertion of MOD_LOPWRs or
28 MOD_RSTs.

29 **4.1.3.6 TX-Turn-on State (Transient)**

30 The Host drives CFP module into TX-Turn-on state by the transition of de-asserting
31 TX_DISs signal from TX-Off state.

32
33 Asserting TX_DISs causes a global action that turns off all the transmitters across all
34 network lanes.

35
36 In this state, CFP module either enables or disables lanes according to the configuration in
37 Individual Network Lane TX_DIS Control CFP register. The lanes that are disabled shall
38 remain disabled after the module enters the TX-Turn-on state.

39
40 Changing TX_DISs does not affect Individual Network Lane TX_DIS Control CFP register.
41 Upon successfully turning on the desired transmitters CFP module shall assert
42 MOD_READY to inform the Host. The CFP module shall enter Ready state. If the turning

1 on TX process fails due to any fault conditions CFP module shall enter the Fault state and
2 keep MOD_READY de-asserted.

3
4 TX-Turn-on is a transient state. The time it takes to complete the TX-Turn-on process
5 varies depending upon the applications. The vendor shall specify the Maximum TX-Turn-
6 on Time CFP register.

7 **4.1.3.7 Ready State (Steady)**

8 CFP module enters from TX-Turn-on state and stays in Ready state upon successful
9 transmitter turning on. In this state CFP module is ready for passing data. All the MDIO,
10 DDM, and other functions are fully functional.

11
12 Ready state is a steady state and it shall exit to other states upon the assertion of
13 MOD_RSTs, MOD_LOPWRs, TX_DISs, or Fault conditions.

14 **4.1.3.8 TX-Turn-off State (Transient)**

15 The Host drives CFP module into TX-Turn-off state by asserting TX_DISs, MOD_LOPWRs,
16 or MOD_RSTs. In this state CFP module turns off all the network lane transmitters
17 regardless the setting in Individual Network Lane TX_DIS Control register.

18
19 TX-Turn-off is a transient state. The time it takes to complete the turn-off shall meet the
20 spec listed in Table 8 Timing for Management Interface Control and Status.

21 **4.1.3.9 High-Power-Down State (Transient)**

22 CFP module enters High-Power-down state by the transition of asserting MOD_LOPWRs
23 or MOD_RSTs. In this state, CFP module powers down all the power-consuming circuitry
24 to maintain the overall power consumption less than 2 Watts. CFP module shall maintain
25 MDIO interface fully functional.

26
27 Upon powering down the module CFP module shall de-assert HIPWR_ON to inform the
28 Host. The CFP module shall either enter Low-Power state or Reset state depending upon
29 the status of MOD_RSTs.

30
31 High-Power-down is a transient state. The time it takes to complete this transient state
32 shall meet the spec listed in Table 8 Timing for Management Interface Control and Status.

33 **4.1.3.10 Fault State (Steady)**

34 CFP module enters this state from any states except Reset state upon the assertion of bits
35 in Module Fault Status register. On entry to this state, CFP module shall immediately de-
36 assert MOD_READY.

37
38 In this state, the CFP management interface and DDM shall remain fully functional. The
39 module shall be put in low power mode to avoid the possibility of permanent module
40 damage. Further diagnosis of the failure can be conducted by interrogating CFP FAWS
41 summary registers and other registers.

1
2 In this state, the PHYs are powered down and loop-back is not possible. The nAUI outputs
3 shall go to a steady state (no transitions).

4
5 Fault state is a steady state, and it shall exit to Reset state upon the assertion of
6 MOD_RSTs.

7 **4.2 State Transition Diagram**

8 The CFP module state transition is shown in *Figure 3 State Transition Diagram during*
9 *Startup and Turn-off*. The top row of states and the associated transitions are typical of the
10 CFP module startup sequence. The Host can control the power-on sequence by controlling
11 the conditions of MOD_RSTn, MOD_LOPWR, and TX_DIS.

12
13 When TX_DISs is asserted in Ready state, CFP module shall enter the TX-Turn-off state
14 and then transient to TX-Off state.

15
16 When MOD_LOPWRs is asserted in Ready state, CFP module shall enter TX-Turn-off
17 state and High-Power-down states sequentially. And then it shall enter Low-Power state.

18
19 When MOD_RSTs is asserted in Ready state, CFP module shall first enter TX-Turn-off
20 State and then High-Power-down State before entering Reset State.

21
22 When one or more fault conditions occur, CFP module shall enter the Fault State.

23
24 Behavior of the signals affected by module state transition is defined in

25 *Table 4 Behavior of Signals Affected by Module State Transition*. Of the four signals listed
26 in the table, GLB_ALARM drives the GLB_ALRMn pin. During module startup GLB_ALRMn
27 signals the Host the completion of Initialization.

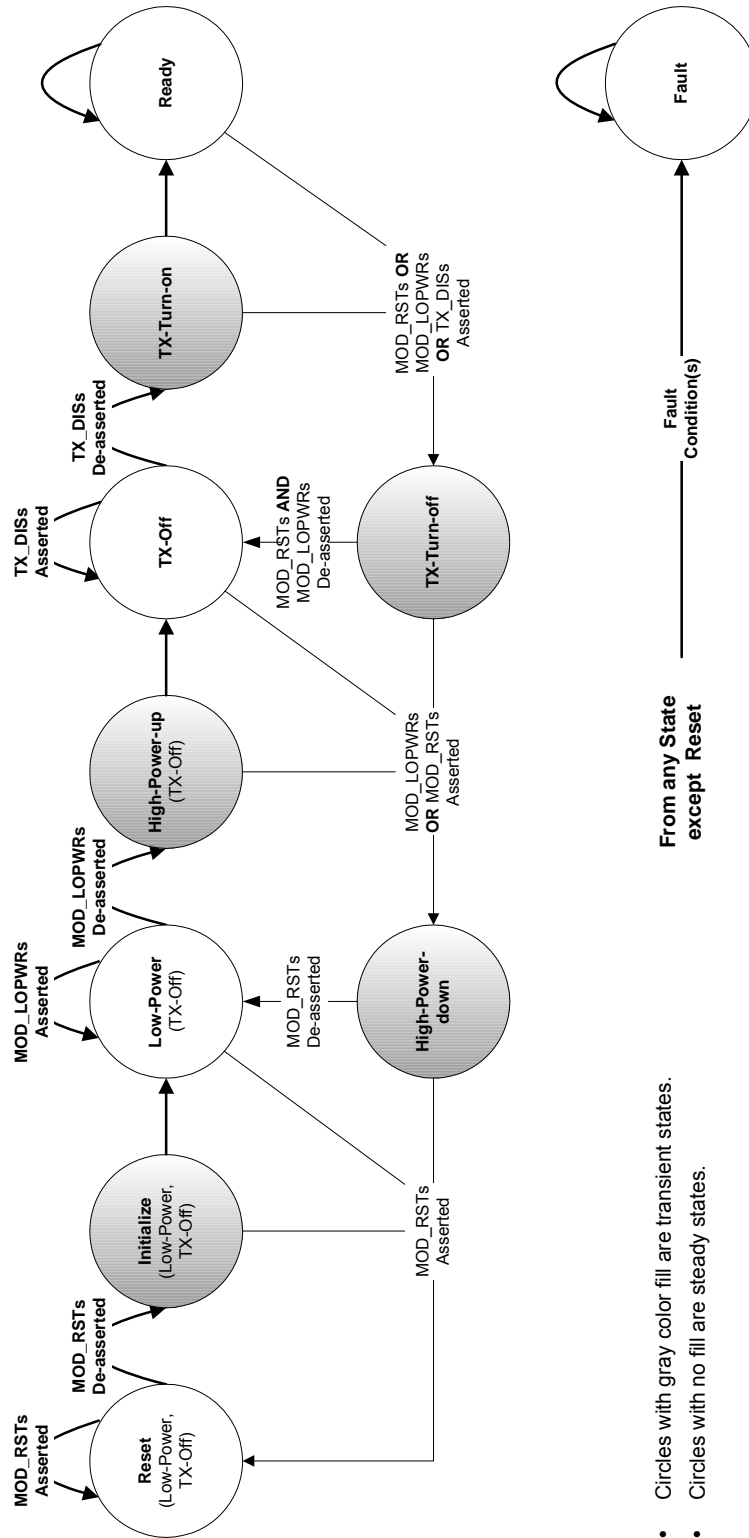
28
29 The signals HIPWR_ON, MOD_READY, and MOD_FAULT are CFP internally generated
30 signals and are defaults of the programmable alarm pins PRG_ALRMx.

31
32 CFP register bits are allocated and can perform the same functions as the hardware control
33 input pins. Additionally, Module State and Module State Latch registers provide the current
34 module state and the state history.

35
36

1
2

Figure 3 State Transition Diagram during Startup and Turn-off



3

Table 4 Behavior of Signals Affected by Module State Transition

Signals	CFP Module State									
	Reset	Initialize	Low-Power	High-Power-up	TX-Off	TX-Turn-on	Ready	TX-Turn-off	High-Power-down	Fault
GLB_ALARM	D*	D*	A	A/D	A/D	A/D	A/D	A/D	A/D	A/D
HIPWR_ON	D*	D*	D	D	A	A	A	A	D	D
MOD_READY	D*	D*	D	D	D	D	A	D	D	D
MOD_FAULT	D*	D*	D	D	D	D	D	D	D	A
D* = De-asserted, guaranteed by internal hardware INIT_DONE signal. Note GLB_ALARM is the internal complement of GLB_ALARMn pin and it shall be de-asserted if MOD_RSTs is asserted. The HIPWR_ON, MOD_READY, and MOD_FAULT are defaulted to PRG_ALARM1, PRG_ALARM2, and PRG_ALARM3 pins respectively on module startup.										
A/D = Asserted or De-asserted depending upon Host's clear-on-read and Host-enabled status.										
A = Asserted.										
D = De-asserted.										

4.3 Examples of Module Startup and Turn-off Sequence

The examples below illustrate that the Host can control the module startup sequence by setting the initial conditions of MOD_RSTs, MOD_LOPWRs, and TX_DISs.

4.3.1 Power-up CFP Module to Ready State without Host Transition Control

Figure 4 Module Startup Sequence Example 1: No Host Transition Control illustrates CFP MSA specified module startup sequence for the Host to power up the CFP module to Ready state without the Host intervention. In this instance, the Host sets up the CFP module connector initial condition by applying Vcc to the connector and de-asserting MOD_RSTn, MOD_LOPWR, and TX_DIS.

The staggering arrangement of the connector pins [Reference 5] causes ground and Vcc to first contact CFP module. At the time when Vcc becomes available the pull-up/pull-down resistors in the module assert MOD_RSTn, MOD_LOPWR, and TX_DIS. As the "Plug-in" action progresses, MOD_RSTn and TX_DIS are in contact with the Host and hence they are de-asserted. Finally MOD_ABS and MOD_LOPWR are engaged. This causes MOD_LOPWR de-assertion. Hence the initial conditions the Host applies to the CFP module take effect.

The CFP module, under these initial conditions, goes through Reset, Initialize, High-Power-up, TX-Off, TX-Turn-on states, and finally enters Ready state. During this course, the CFP module asserts GLB_ALARM, HIPWR_ON, and MOD_READY signals sequentially. These

1 signals inform host the completion of module initialization and MDIO availability, module
2 fully powering up, and module ready, respectively.

3
4 MSA specifies two registers which contain Maximum High-Power-up Time and Maximum
5 TX-Turn-on Time. Host uses these two parameters to determine how long it shall wait at
6 each stage if reading HIPWR_ON and MOD_READY as the signals of progress monitor is
7 not desirable or not available. Vendor shall provide these two register values as they may
8 vary from product to product and from vendor to vendor.

9 **4.3.2 Power-up the Module with Full Host Transition Control**

10 In contrast to the case presented in 4.3.1, the Host can apply full control over the course of
11 module power-up sequence. This example is illustrated by *Figure 5 Module Startup*
12 *Sequence Example 2: Full Host Transition Control*.

13 **4.3.3 Power-Up the Module with Some Host Transition Control**

14 In some case, it is desirable to power up the module to Low-Power state. For this example,
15 the Host may change PRG_ALRMs and PRG_CNTLs, before de-asserting MOD_LOPWR
16 in the Low-Power State. This example is illustrated in *Figure 6 Module Startup Sequence*
17 *Example 3: Some Host Transition Control*.

18 **4.3.4 Example of Module Turn-off Sequence**

19 *Figure 7 Module Turn-off Sequence Example: No Host Transition Control* illustrates the
20 example of module turn-off sequence without the Host transition control by hot-un-plug. In
21 this case, un-plug action causes assertions of MOD_ABS and MOD_LOPWR first. Then
22 due to module extraction, MOD_RSTn is asserted. CFP module enters TX-Turn-off state
23 and High-Power-down state subsequently. Between these events, CFP module de-asserts
24 MOD_READY, HIPWR_ON, and GLB_ALRM sequentially and enters Reset. Finally Vcc is
25 disconnected.

26 **4.4 Special Modes of Operation**

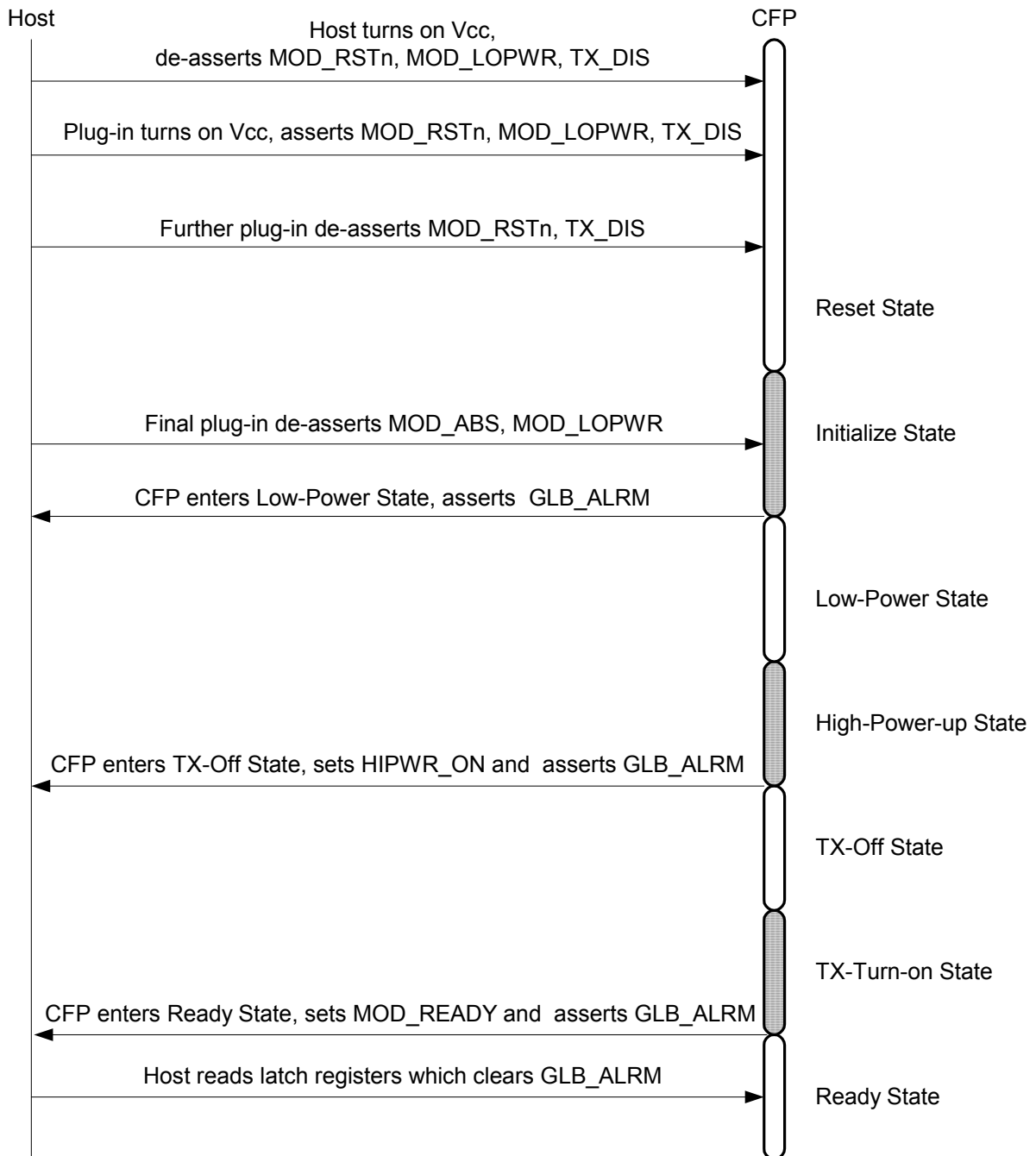
27 CFP MSA defines additional operation modes such as transmitting only and receiving only
28 for a CFP module. CFP MSA specifies the standard operation mode is bi-directional. Uni-
29 directional operation is optional (vendor-specific support). CFP register Module Enhanced
30 Options register identifies what optional operation modes are supported for a particular
31 module.

32
33 To power up the module in receiving only mode, the Host needs to assert TX_DIS and
34 keeps other control signals as required. In this way CFP module will power up to TX-Off
35 state and uses HIPWR_ON to inform the Host it is ready for receiving data. *Figure 8*
36 *Module Start-up Sequence Example: Operating in RX Only Mode* depicts this application.
37 The support of transmitting only mode is no different from normal working mode except that
38 the Host may expect CFP module to squelch the electrical outputs.

1
2

Figure 4 Module Startup Sequence Example 1: No Host Transition Control

NOTE: the following assumes the Host does not change the default register values

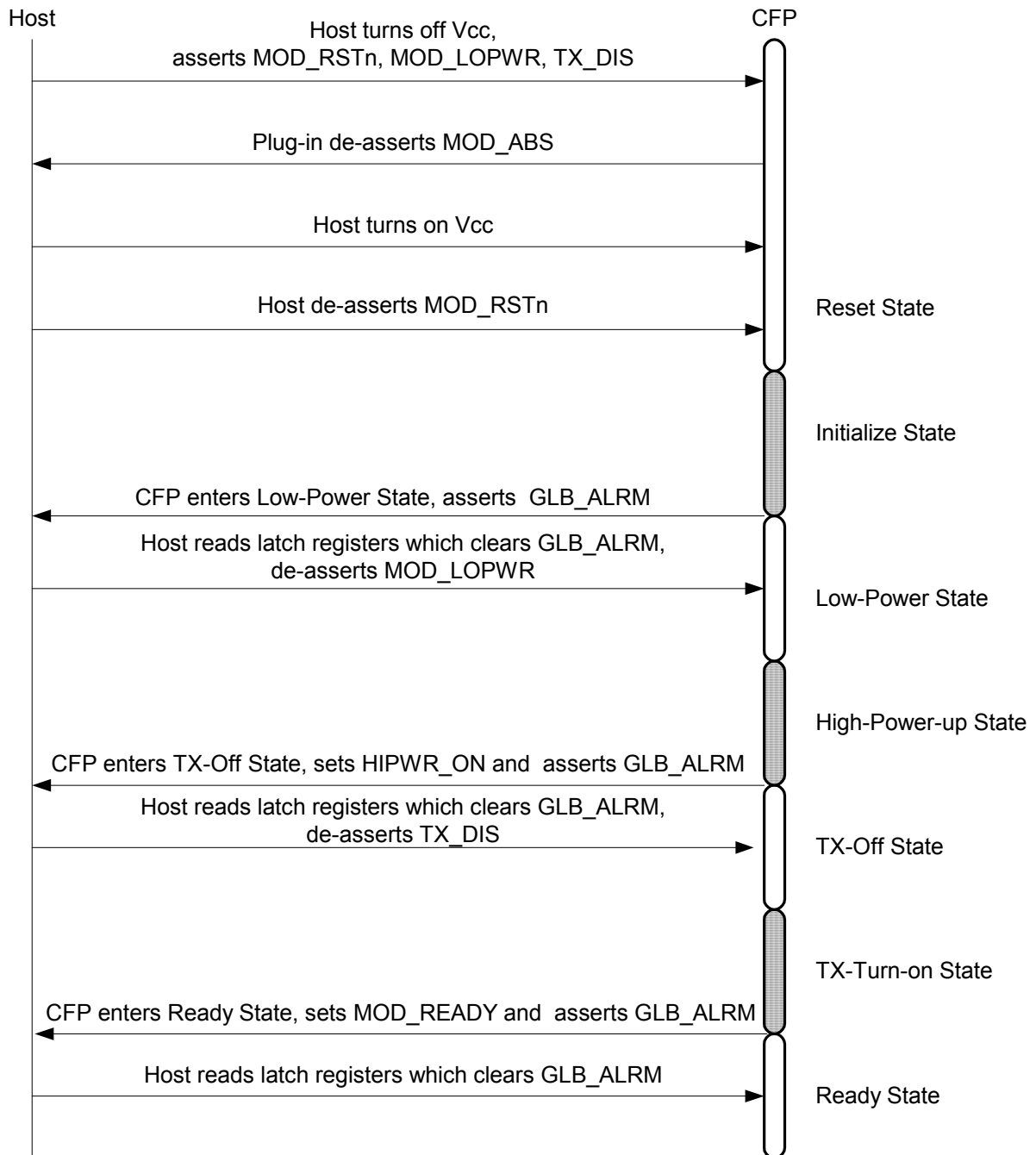


3
4

1
2

Figure 5 Module Startup Sequence Example 2: Full Host Transition Control

NOTE: the following assumes the Host does not change the default register values

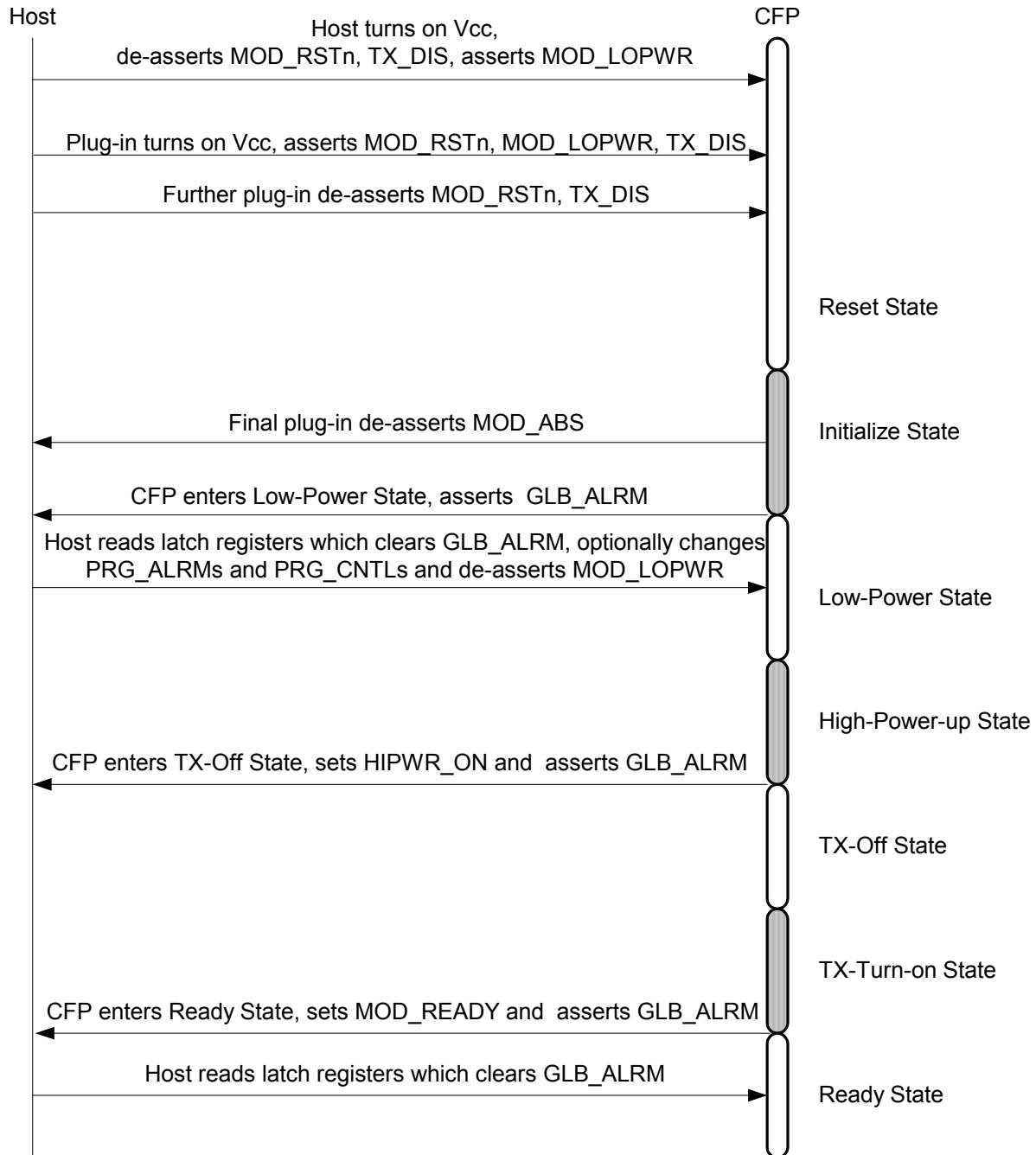


3
4

1
2
3

Figure 6 Module Startup Sequence Example 3: Some Host Transition Control

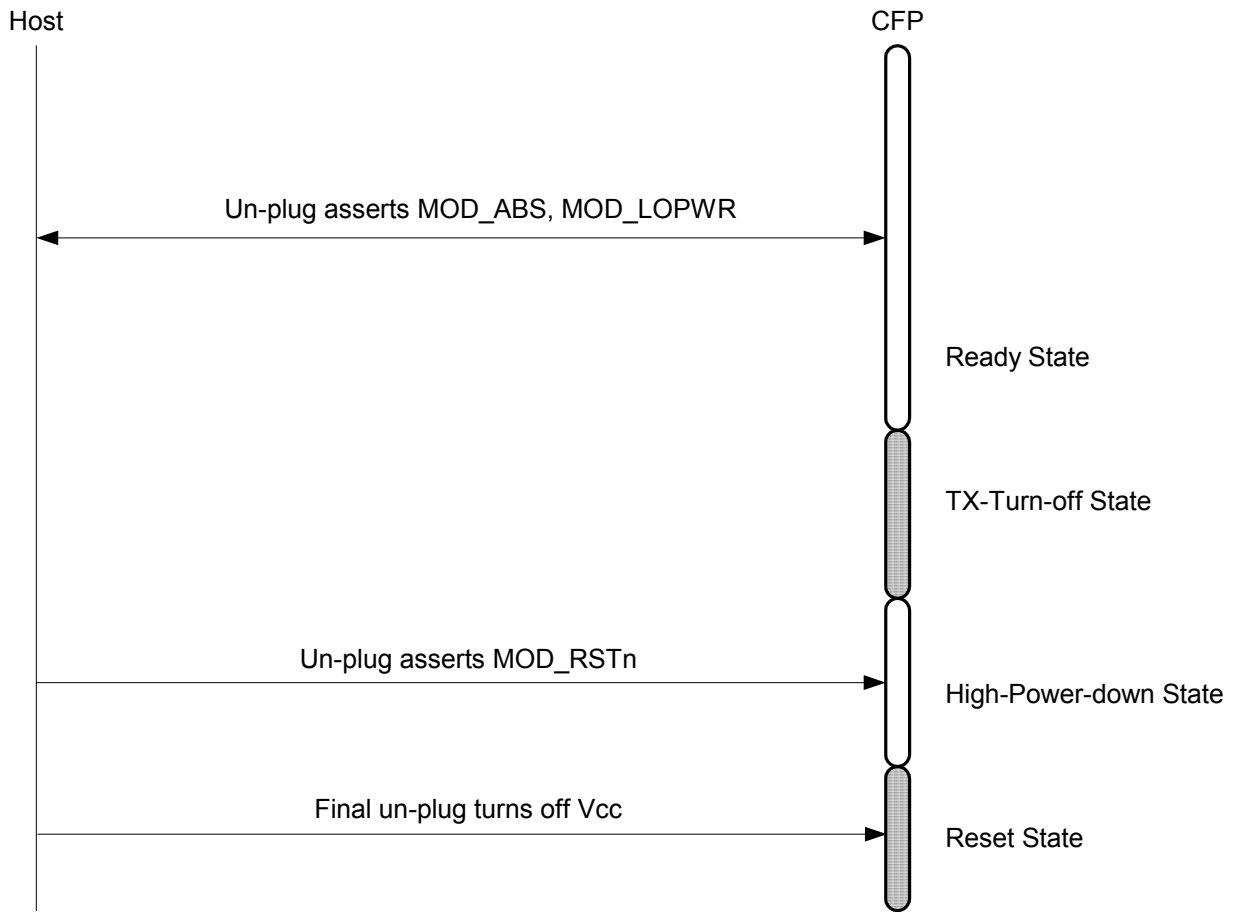
NOTE: the following assumes the Host does not change the default register values, except as noted below



4
5
6

1
2

Figure 7 Module Turn-off Sequence Example: No Host Transition Control

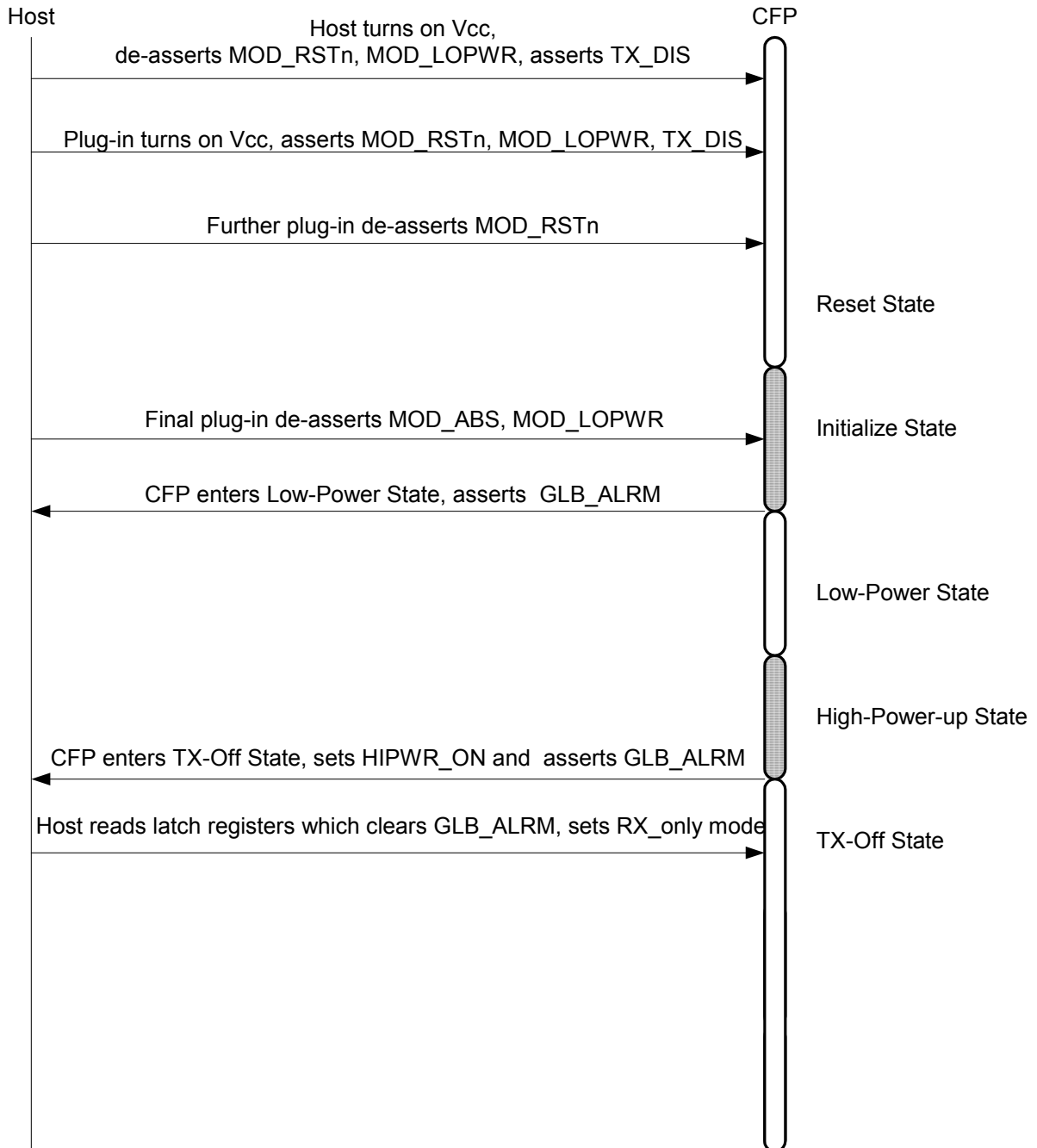


3
4

1
2

Figure 8 Module Start-up Sequence Example: Operating in RX Only Mode

NOTE: the following assumes the Host does not change the default register values



3
4
5

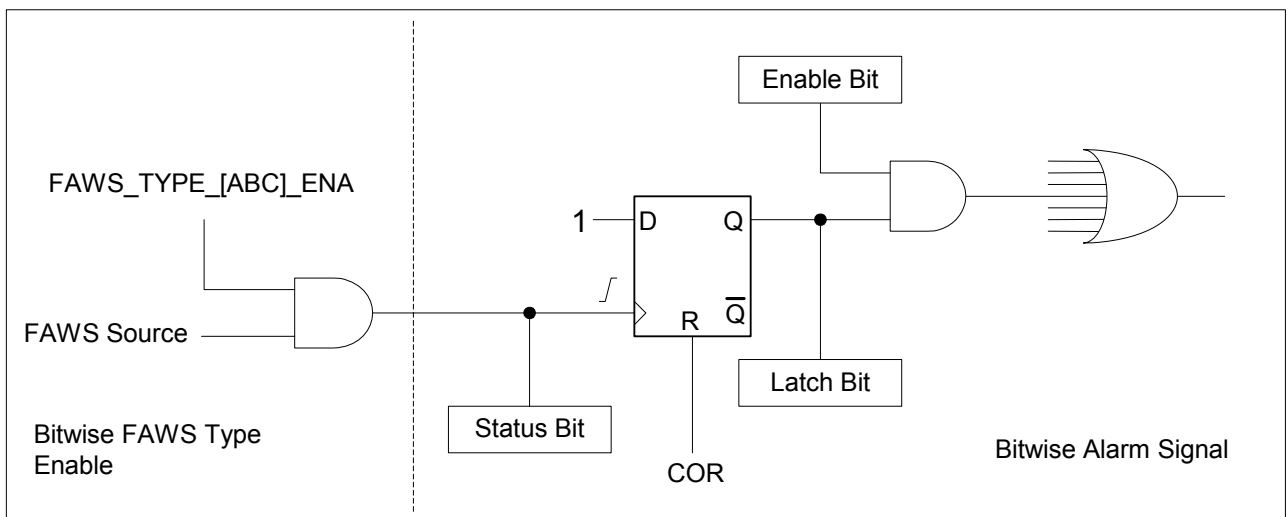
1 **4.5 Behavior of FAWS in CFP States**

2 CFP module shall eliminate the spurious FAWS signals in various CFP module states,
3 based on a set of rules defined by CFP MSA. CFP MSA classifies all the GLB_ALARM
4 contributing FAWS signals into three types: FAWS_TYPE_A, FAWS_TYPE_B and
5 FAWS_TYPE_C. The type for each FAWS signal is annotated in Table 23 CFP Module VR
6 1, Table 24 Network Lane VR 1, and Table 26 Host Lane VR 1.

7
8 Figure 9 FAWS Signal Model for a Single Bit illustrates the mechanism of a signal source
9 contributing to the global alarm and the relationship between status, latch, and enable
10 registers. In this figure, a set of CFP internal FAWS_[ABC]_ENA signals are used to
11 control the behavior of each FAWS source signal.

12
13 Note that Module State register is not subject to FAWS_[ABC]_ENA control.
14

15 Figure 9 FAWS Signal Model for a Single Bit



16
17

18 CFP MSA specifies the behavior of each FAWS type according to Table 5 Behavior of
19 FAWS Type in Different Module States. Note that CFP module shall use
20 FAWS_TYPE_[ABC]_ENA to eliminate any spurious FAWS reporting during state
21 transition.

22
23
24
25
26

1

Table 5 Behavior of FAWS Type in Different Module States

FAWS Type	CFP Module State									
	Reset	Initialize	Low-Power	High-Power-up	TX-Off	TX-Turn-on	Ready	TX-Turn-off	High-Power-down	Fault
FAWS_TYPE_A	OFF	OFF	A	A	A	A	A	A*	A*	A
FAWS_TYPE_B	OFF	OFF	OFF	OFF	A	A	A	A*	OFF	A
FAWS_TYPE_C	OFF	OFF	OFF	OFF	OFF	OFF	A	OFF	OFF	A
A = FAWS sources are allowed (i. e. not masked). Status registers and latch registers are functional. A/D values reflect the actual measurements.										
A* = OFF if the MOD_RSTs is asserted.										
OFF = FAWS sources (status bits) are gated off by CFP module. As a result, the corresponding latch registers will not capture (latch) new events. Latch registers and Enable registers are kept unchanged from previous states. A/D values reflect the actual measurements, although they may not all be available in Low-Power State depending upon module implementation.										

2 **4.6 Global Alarm System Logic**

3 The CFP module uses GLB_ALARM, to alert the Host any condition outside normal
 4 operating conditions. The GLB_ALARM is related to all the contributing FAWS registers
 5 including the status registers, the latch registers, and the enable registers, all listed in Table
 6 6 Global Alarm Related Registers.

7
 8 Figure 10 Global Alarm Signal Aggregation depicts the global alarm signal aggregation
 9 logic. In this system, status registers drive the latch registers on a bit-by-bit basis. The
 10 logic OR of all enabled bits in the latched registers drives GLB_ALARM. This simple and flat
 11 OR combinational logic minimizes the assert time after a global alarm condition happens.

12
 13 Also shown in Figure 10, the Host shall control which latched bits resulting in a global alarm
 14 assertion by asserting individual bits in the enable registers. All enabling bits shall be
 15 volatile and startup with initial values defined in Table 23 CFP Module VR 1, Table 24
 16 Network Lane VR 1, and Table 26 Host Lane VR 1.

17
 18 When GLB_ALARM alerts the Host to a latched condition, the Host may query the latched
 19 registers for the condition. The latched bits are cleared on the read of the corresponding
 20 register. Thus a read of all latched registers can be used to clear all latched register bits
 21 and to de-assert GLB_ALARM.

22
 23 In order to minimize the number of reads for locating the origin of the global alarm
 24 condition, the Host may use the global alarm query hierarchy listed in Table 7 Global Alarm
 25 Query Hierarchy.

26

1
2
3

Table 6 Global Alarm Related Registers

Description	CFP Register Addresses
Summary Registers	
Global Alarm Summary	A018h
Status Registers	
Module State	A016h
Module General Status	A01Dh
Module Fault Status	A01Eh
Module Alarms/Warnings 1	A01Fh
Module Alarms/Warnings 2	A020h
Network Lane Alarms and Warnings	A200h + n, n = 0, 1, ..., N-1.
Network Lane Fault and Status	A210h + n, n = 0, 1, ..., N-1.
Host Lane Fault and Status	A400h + m, m = 0, 1, ..., M-1.
Latch Registers	
Module State Latch	A022h
Module General Status Latch	A023h
Module Fault Status Latch	A024h
Module Alarms/Warnings 1 Latch	A025h
Module Alarms/Warnings 2 Latch	A026h
Network Lane Alarms and Warnings Latch	A220h + n, n = 0, 1, ..., N-1.
Network Lane Fault and Status Latch	A230h + n, n = 0, 1, ..., N-1.
Host Lane Fault and Status Latch	A410h + m, m = 0, 1, ..., M-1.
Enable Registers	
Module State Enable	A028h
Module General Status Enable	A029h
Module Fault Status Enable	A02Ah
Module Alarms/Warnings 1 Enable	A02Bh
Module Alarms/Warnings 2 Enable	A02Ch
Network Lane Alarms and Warnings Enable	A240h + n, n = 0, 1, ..., N-1.
Network Lane Fault and Status Enable	A250h + n, n = 0, 1, ..., N-1.
Host Lane Fault and Status Enable	A420h + m, m = 0, 1, ..., M-1.
Notes:	
1. "n" denotes the network lane index.	
2. "N" is the total number of network lanes supported in a CFP module. The maximum value of N is 16.	
3. "m" denotes the host lane index.	
4. "M" is the total number of host lanes supported in a CFP module. The maximum value of M is 16.	

1
2

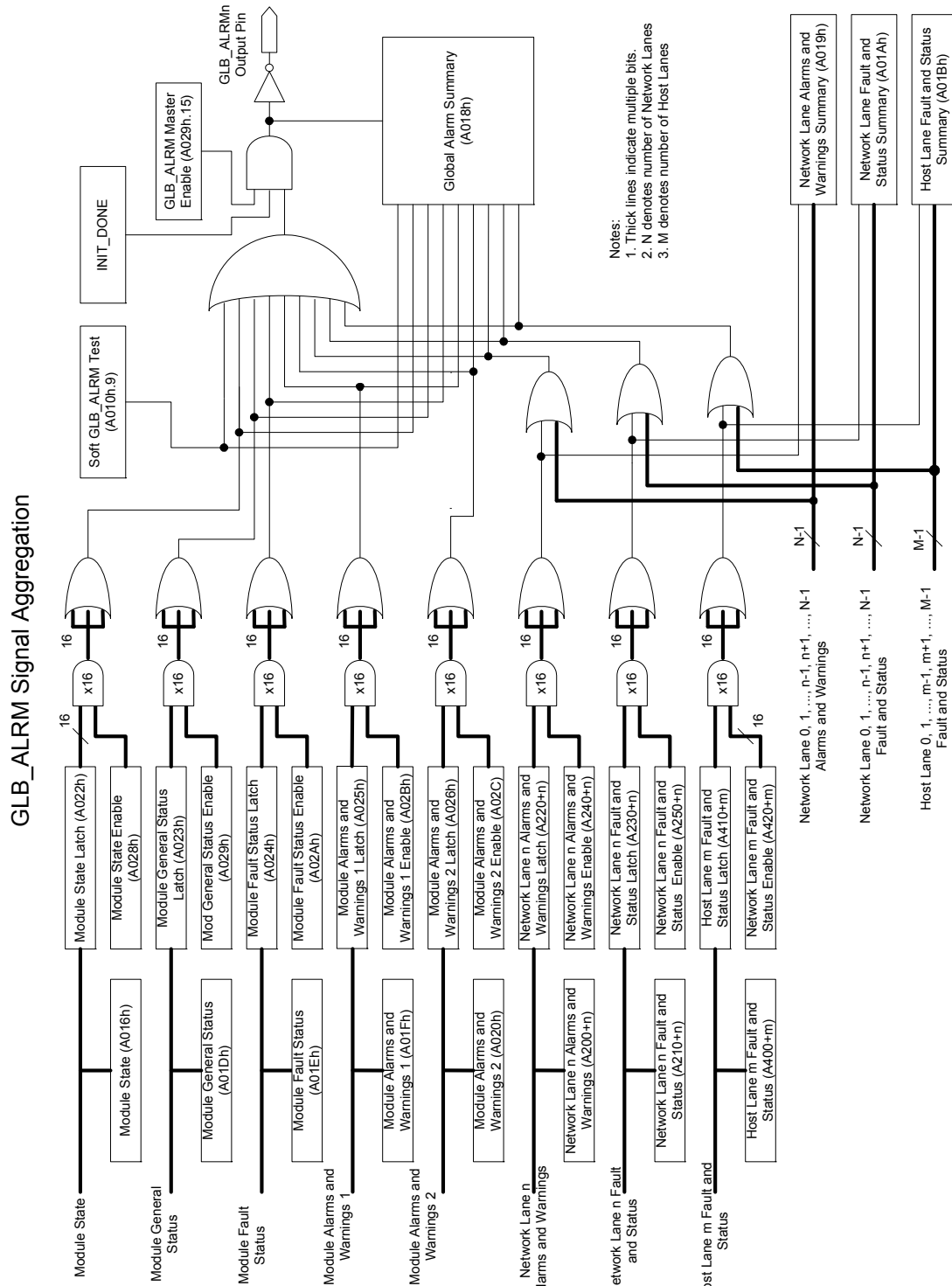
3
4
5
6
7
8
9
10
11
12
13
14
15
16
17
18
19
20
21

Table 7 Global Alarm Query Hierarchy

Query Level	CFP Register Name	CFP Register Addresses
1	Global Alarm Summary	A018h
2	Network Lane Alarms and Warnings Summary	A019h
2	Network Lane Fault and Status Summary	A01Ah
2	Host Lane Fault and Status Summary	A01Bh
3	Network Lane Alarms and Warnings Latch, lane n	A220h + n, n = 0, 1, ..., N-1.
3	Network Lane Fault and Status Latch, lane n	A230h + n, n = 0, 1, ..., N-1.
3	Host Lane Fault and Status Latch, lane m	A410h + m, m = 0, 1, ..., M-1.
<p>Notes:</p> <ol style="list-style-type: none"> 1. "n" denotes the network lane index. 2. "N" is the total number of network lanes supported in a CFP module. The maximum N value is 16. 3. "m" denotes the host lane index. 4. "M" is the total number of host lanes supported in a CFP module. The maximum M value is 16. 		

1

Figure 10 Global Alarm Signal Aggregation



2
3

1 **4.7 Specific Host Controls over Management Interface**

2 **4.7.1 Soft Module Reset (A010h.15) Function**

3 Internal to CFP, this bit is logically OR'ed with both hardware pin MOD_RSTn and internally
4 generated Vcc_Reset. This bit puts CFP module in Reset state when it is asserted by host.
5 Once this bit is asserted by the Host it can only be cleared by CFP module. After a module
6 reset caused by the assertion of this bit, CFP module exits Reset State if neither
7 MOD_RSTn nor Vcc_Reset is asserted.

8 **4.7.2 Soft Global Alarm Test (A010h.9) Function**

9 This bit is provided for the host to forcibly assert the GLB_ALARM output, if desired. When
10 GLB_ALARM function (refer to next paragraph) is enabled, asserting this control bit will
11 assert the GLB_ALARM. This bit also directly feeds to Soft GLB_ALARM Test Status bit in
12 Global Alarm Summary register for Host to verify the assertion of this bit.
13

14 The effect of this Soft Global Alarm Test bit can be verified by reading the GLB_ALARM
15 State bit in Module General Status register. The GLB_ALARM Master Enable bit in Module
16 General Status Enable register is provided as the master control to globally enable/disable
17 GLB_ALARM. With this function Host does not need to change the settings of individual
18 enable bits to disable the GLB_ALARM function.

19 **4.8 Timing for Management Interface control and status reporting**

20 Timing requirements for soft control, status functions and state transitions times are defined
21 in Table 8 Timing for Management Interface Control and Status. For timing parameters
22 related to the hard control and alarm pins refer to the CFP MSA Hardware Specification
23 document.
24

25 *Table 8 Timing for Management Interface Control and Status*

Item	Parameter	Min	Max ²	Unit	Conditions
1	Soft Module Reset assert time		150	ms	Time from Soft Module Reset asserted ¹ until CFP module enters Reset state.
2	Soft TX Disable assert time		150	ms	Time from the Soft TX Disable asserted ¹ until all of the network lane optical (or electrical) outputs fall below 10% of nominal.
3	Soft TX Disable de-assert time		150	ms	Time from Soft TX Disable de-asserted ¹ until the CFP module enters the TX-Turn-on State. The actual TX on time is this time plus the Maximum TX-Turn-on Time stored in CFP Register 8073h. The TX on time is when all of the network lane optical (or electrical) outputs rise above 90% of nominal.
4	Soft Module Low Power assert time		150	ms	Time from Soft Module Low Power asserted ¹ until module enters High-Power-down state. The actual power down time is this time plus the Maximum

Item	Parameter	Min	Max ²	Unit	Conditions
					High-Power-down Time stored in Register 8077h. The power down time is when the total module power consumption less than 2 Watts.
5	Soft Module Low Power de-assert time		150	ms	Time from Soft Module Low Power de-asserted ¹ until module enters High-Power-up State.
6	RX_LOS assert time		150	ms	Time from hardware RX_LOS pin asserted to RX_LOS Pin State (in A01Dh) asserted.
7	RX_LOS de-assert time		150	ms	Time from hardware RX_LOS pin de-asserted to RX_LOS Pin State de-asserted.
8	GLB_ALRMn assert time		150	ms	Time from any condition of FAWS alarm/status state to GLB_ALRMn asserted.
9	GLB_ALRMn de-assert time		150	ms	Time from last FAWS condition cleared to GLB_ALRMn de-asserted.
10	PRG_ALRM1 assert time		150	ms	Time from programmed FAWS condition occurrence to PRG_ALRM1 asserted.
11	PRG_ALRM2 assert time		150	ms	Time from programmed FAWS condition occurrence to PRG_ALRM2 asserted.
12	PRG_ALRM3 assert time		150	ms	Time from programmed FAWS condition occurrence to PRG_ALRM3 asserted.
13	PRG_ALRM1 de-assert time		150	ms	Time from programmed FAWS condition cleared to PRG_ALRM1 de-asserted.
14	PRG_ALRM2 de-assert time		150	ms	Time from programmed FAWS condition cleared to PRG_ALRM2 de-asserted.
15	PRG_ALRM3 de-assert time		150	ms	Time from programmed FAWS condition cleared to PRG_ALRM3 de-asserted.
16	PRG_CNTL1 assert time		150	ms	Time from PRG_CNTL1 asserted to programmed function to take effect.
17	PRG_CNTL2 assert time		150	ms	Time from PRG_CNTL2 asserted to programmed function to take effect.
18	PRG_CNTL3 assert time		150	ms	Time from PRG_CNTL3 asserted to programmed function to take effect.
19	PRG_CNTL1 de-assert time		150	ms	Time from PRG_CNTL1 de-asserted to the programmed function to cancel its effect.
20	PRG_CNTL2 de-assert time		150	ms	Time from PRG_CNTL2 de-asserted to the programmed function to cancel its effect.
21	PRG_CNTL3 de-assert time		150	ms	Time from PRG_CNTL3 de-asserted to the programmed function to cancel its effect.
22	MOD_FAULT assert time		150	ms	Time from the conclusion of any fault condition occurrence to MOD_FAULT asserted
23	HIPWR_ON assert time		150	ms	Time from module exiting High-Power-up state to HIPWR_ON asserted.
24	MOD_READY assert time		150	ms	Time from module entering Ready state to MOD_READY asserted.
	1. Measured from the conclusion of Host write transaction. 2. Note all the timing values are preliminary at the time of publication of this revision				

1 **4.8.1 Miscellaneous Timing**

2 Table 9 Miscellaneous Timing lists other timing parameters used in this Specification.

3

4

Table 9 Miscellaneous Timing

Item	Parameter	Min	Max	Conditions	Reference Clause
1	T_refresh	-	50 * (N+1) ms	DDM (A/D) data update rate. N = number of network lanes	2.3d, 5.5.8
2	T_assert	100 us	-	Minimum h/w input assertion time	4.1.1.5
3	T_initialize	-	2.5 s	From de-assertion of MOD_RSTs until the end of the Initialize State	4.1.3.2
4	T_high_power_up_max	-	Stored in NVR register 8072h	Max. time for the High-Power-up transient state to persist.	5.1.46
5	T_tx_turn_on_max	-	Stored in CFP NVR register 8073h	Max. time for the TX-Turn-on transient state to persist.	5.1.47
6	T_tx_turn_off_max	-	Stored in CFP NVR register 8076h	Max. time for the TX-Turn-off transient state to persist.	5.1.50
7	T_high_power_down_max	-	Stored in CFP NVR register 8077h	Max. time for the High-Power-down transient state to persist.	5.1.51

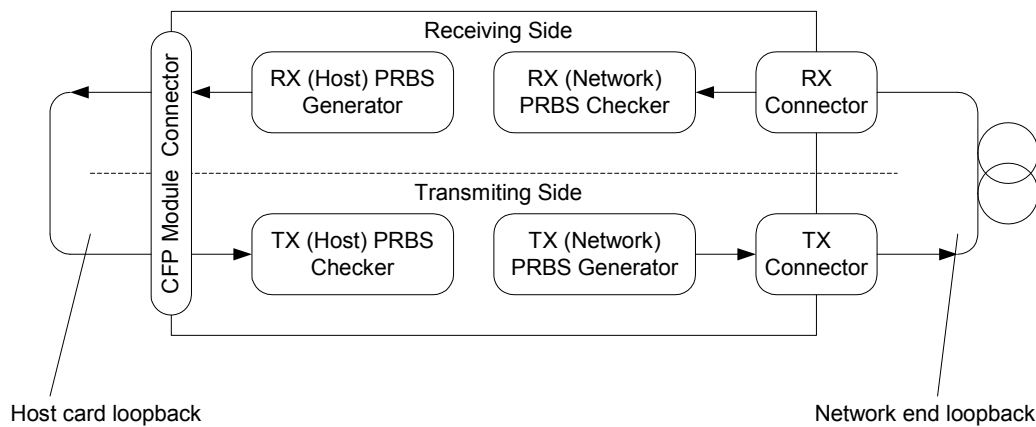
5

6

1 **4.9 Bit Error Rate Calculation**

2 Optionally CFP module may have built-in PRBS generators and checkers. *Figure 11 CFP*
3 *Built-in PRBS Components and Test Signal Flow* illustrates the relationship between these
4 components and a loopback based test signal flow.
5

6 *Figure 11 CFP Built-in PRBS Components and Test Signal Flow*



7
8

9 **4.9.1 Network Lane PRBS Setup**

10 CFP MSA specifies optional PRBS generator and error checker for each network lane with
11 CFP register controls. To start a PRBS session, Host shall select the desired PRBS
12 pattern by setting the bits TX PRBS Pattern 1 and TX PRBS Pattern 0 in Network Lane TX
13 Control register (A011h.13~12). The Host enables the PRBS generators by asserting the
14 bit TX PRBS Generator Enable in the same register (A011h.14).
15

16 Host shall apply the same operation to Network Lane RX Control register correspondingly
17 to set up and enable the PRBS checker. The PRBS generator and checker functions shall
18 be stopped by de-asserting the TX PRBS Generator Enable and the RX PRBS Checker
19 Enable (A012h.14), respectively.

20 **4.9.2 Network Lane BER Calculation**

21 Upon assertion of RX PRBS Enable bit CFP module shall automatically set the Network
22 Lane PRBS Data Bit Count and Network Lane PRBS RX Error Count (each per lane) to
23 zero and shall start the accumulation. CFP module shall stop the accumulations for both
24 data bit counting and error bit counting after RX PRBS Checker Enable is de-asserted.
25 The counts shall be kept unchanged until RX PRBS Checker Enable is asserted next time.
26

27 The Host can read the Network Lane PRBS Data Bit Count and the per-lane Network Lane
28 PRBS RX Error Count at any time. The bit error rate (BER) can be calculated by simply

1 dividing the RX error count by data bit count. To achieve an accurate BER calculation, it is
2 recommended that the Host reads these registers after PRBS Enable is de-asserted.

3
4 Both Network Lane PRBS Bit Count and Network Lane PRBS Error Count registers use an
5 ad-hoc floating data format with 6-bit unsigned exponent and 10-bit unsigned mantissa.
6 While the maximum count of this ad-hoc floating point number is $1023 \cdot 2^{63} \approx 2^{73}$, CFP
7 MSA specifies the effective maximum count to be $2^{64} - 1$ with a precision of $1/1024$ in
8 using this ad-hoc data format. Some examples in this data format are listed in Table 10.
9

10 Table 10 CFP Ad-hoc Floating Point Number Examples

Count N (integer)	Mantissa (M)	Exponent (E)	Value Expression
0 ~ 1023	N	0	$N \cdot 2^0$
1024 ~ 2047	N/2	1	$(N/2) \cdot 2^1$
2048 ~ 4095	N/4	2	$(N/4) \cdot 2^2$
4096 ~ 8191	N/8	3	$(N/8) \cdot 2^3$

11
12 **4.9.3 Host Lane PRBS Control**

13 Host lane PRBS control is specified similar to that of network lane. The mechanism applies
14 to RX PRBS Pattern 1 and RX PRBS Pattern 0 in Host Lane Control register (A014h.6~5).
15 The Host enables the PRBS generators by asserting the bit RX PRBS Generator Enable in
16 the same register (A014h.7).
17

18 Host shall apply the same operation to Host Lane Control register (A014h.13~12 and
19 A014h.14) correspondingly to set up and enable the PRBS checker. The host side PRBS
20 generator and checker functions shall be stopped by de-asserting the RX PRBS Generator
21 Enable and the TX PRBS Checker Enable respectively.

22 **4.9.4 Host Lane BER Calculation**

23 BER calculation for host lane is similar to that of network lane. In calculation, the Host shall
24 use the Host Lane PRBS Data Bit Count register at A039h and the Host Lane PRBS TX
25 Error Count registers at A430h through A43Fh.

26 **4.10 CFP Register Access**

27 **4.10.1 Read and Write Accesses**

28 Host shall have the read access to the registers or register bits that have Access Type of
29 RO, RW, and COR on Page 8000h and on Page A000h.
30

31 Host shall have write access to the CFP registers or register bits that have Access Type of
32 RW and WO on Pages 8000h and A000h. Host writes to User NVRs results in volatile
33 values which are stored in shadow registers.

1
2 Both Read and Write operations are conducted by directly using MDIO Command Frames.

3 **4.10.2 User NVR Restore and Save Functions**

4 To write permanently to User NVR registers Host shall use the “Save” function to store the
5 shadowed data into underlying NVM. The host only needs to perform a single Save
6 operation to copy the entire User NVR shadow registers to the underlying NVM after
7 finishing the editing the data. CFP MSA further specifies the minimum number of Save
8 operation greater than 10,000 times.

9
10 Upon power-up or reset the User NVR shadow registers are “Restored” with NVM values.
11 Restore function is also called to update the User NVR shadow registers with previously
12 stored NVM values if the edited content of User NVRs is not desired. Note that the Restore
13 function will overwrite the NVR shadow registers, losing any host-written values in them
14 that have occurred since the last Save to the underlying NVM.

15
16 The NVR Access Control Register (A004h) provides the Restore and Save functions for
17 Host to restore and save the User NVRs content. This register has a structure described in
18 Table 11 User NVRs Access Control Register (A004h) and Table 23 CFP Module VR 1.

19
20 Table 11 User NVRs Access Control Register (A004h)

Access Type	Bit	Bit Field Name	Description	Init Value
RW	15:9	Reserved	Vendor specific	0
RO	8:6	Reserved		0
RW ¹	5	Command ²	0: Restore User NVRs 1: Save User NVRs	0
RO	4	Reserved		0
RO	3~2	Command Status	00b: Idle, 01b: Command completed successfully, 10b: Command in progress, 11b: Command failed.	00b
RW ¹	1~0	Extended Command	00b ~ 10b: Vendor specific, 11b: Restore/Save all User NVRs.	00b

1. Once a command has been invoked the values written to the “Command” and “Extended Command” bits are held until the RSC state machine transitions back to the idle state.
2. User writes to the User NVRs Access Control Register are not valid, except if an idle state is observed in Command Status. A read of this register after command completes is required to return to idle (reverts command status to 00b. Further commands should not be issued without returning to idle.

21
22 **4.10.2.1 User NVR Restore and Save Command (Bit 5)**
23 Bit 5 in NVR Access Control Register is designated for User NVR restore and save
24 command (RSC). The execution of RSC is illustrated by Figure 12 Restore and Save
25 Command Execution State Diagram. In an idle state any write transaction to the NVR

1 Access Control Register shall initiate a User NVR transaction. A “0” written to bit 5 initiates
2 a User NVR Restore. A “1” written to bit 5 initiates a User NVR Save. The extended
3 command bits (1 and 0) determine the exact nature of the Save/Restore operation.

4
5 Only one command on User NVRs can execute at a time. If a command is initiated, the
6 Command Status bits indicate “Command in Progress” in NVR Access Control Register
7 and further writes to the NVR Access Control Register will be ignored.

8
9 A Soft Module Reset will be queued to avoid crashing the User NVRs and NVM. The Host
10 should always read the NVR Access Control Register to ensure that Command Status is
11 not set to Command In Progress before attempting to assert the MOD_RSTs.

12 **4.10.2.1.1 Restore and Save Command State Definitions**

13 Table 12 Restore and Save Command State Definitions defines the four states in the
14 execution of RSC transitions.

15 Table 13 Restore and Save Command State Transitions further defines the RSC state
16 transitions when a Restore or Save command is executed.

17
18 Table 12 Restore and Save Command State Definitions

RSC STATE	When Entered
IDLE	Default state when no Save/Restore user NVRs are in progress.
CMD_PENDING	State where command is pending availability of system resources,
IN_PROGRESS	State assumed while User NVR restore or User NVR save is in process
CMD_COMPLETE	State assumed after User NVR restore or User NVR save has occurred but before outcome has been read from the Command Status bits.

19
20 Table 13 Restore and Save Command State Transitions

RSC State Transition	Invocation
From IDLE to CMD_PENDING	Initiated by a write to the NVR Access Control Register.
From CMD_PENDING to IN_PROGRESS	Occurs when system resources are free to execute the requested command.
From IN_PROGRESS to CMD_COMPLETE	Initiated by the NVR logic indicating that a User NVR restore or User NVR save operation has been completed.
From CMD_COMPLETE to IDLE	Initiated by a read of the NVR Access Control Register.

21 22 **4.10.2.1.2 State Machine Function Definitions**

23 The RSC state machine function definitions used in Figure 12 Restore and Save Command
24 Execution State Diagram are as follows.

25 wr_A004h = MDIO write to NVR Access Control Register (A004h)

26 rd_A004h = MDIO read from NVR Access Control Register

1 exec(cmd_code) = perform command indicated by “cmd_code”

2

3 “cmd_code” defined by combination of bit 5 and bit 1:0 of NVR Access Control
4 Register, or in the case of reset, it is “reset User NVR”.

5 **4.10.2.2 Command Status (bits 3, 2)**

6 Following a write to register A004h (initiation of Restore/Save command), bits 3 and 2
7 provide information on the status of the command. A value of 00b indicates an idle
8 condition, 10b indicates that a command is pending or in progress, 01b indicates that the
9 command completed successfully, and 11b indicates that the command failed.

10 **4.10.2.3 Extended Commands (bits 1, 0)**

11 The register bits 1 and 0 supplement the basic RSC (bit 5) function. A value of 11b
12 restores and saves all User NVR contents. All other values implement vendor specific
13 commands.

14 **4.10.2.4 NVR Data Safety in Save Function**

15 The following conditions and measures shall be considered to avoid corrupting the user
16 NVR when a Save command is performed.

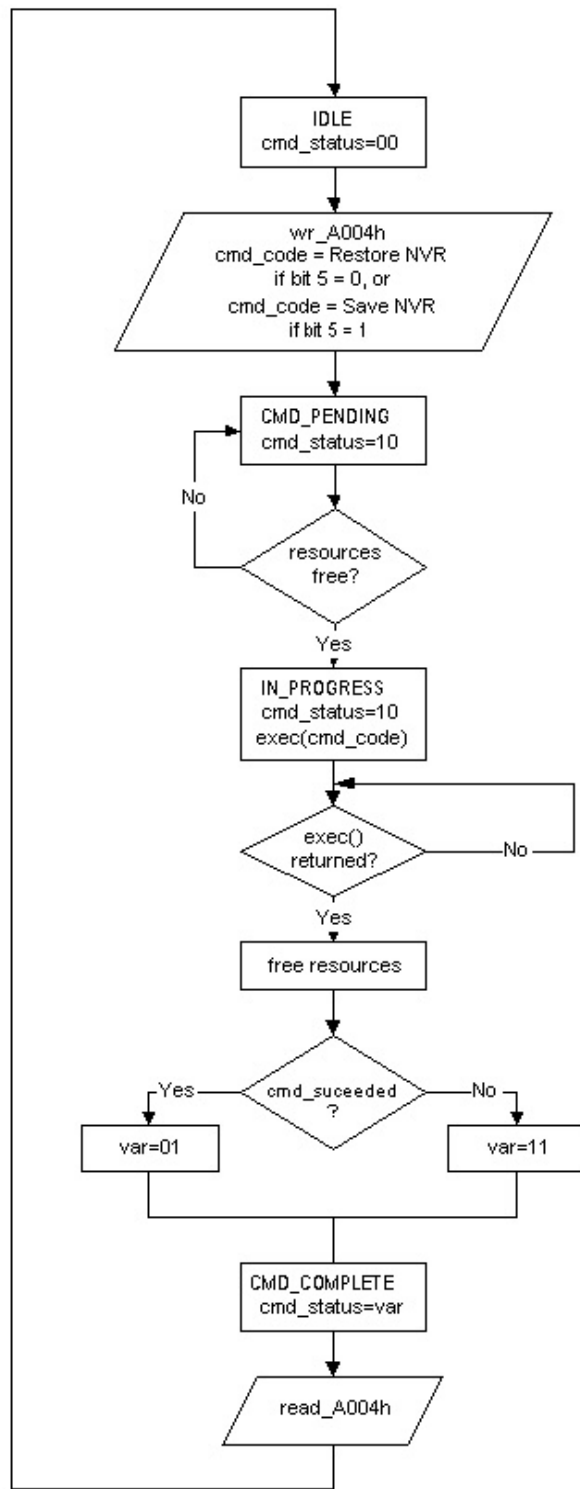
- 17 a) After a Save command is issued, the Host shall wait until the Command Status =
18 Command Complete before performing any one of the operations of shutting down
19 VCC, asserting MOD_RSTn, and asserting Soft Module Reset, otherwise the
20 incomplete execution of Save command or NVR data corruption will be resulted.
21 b) The Host shall not expect a Save command to be accepted or executed when it is
22 issued with a CFP module in Reset state or in Initialize state. When the module is in
23 Fault state, it may or may not be able to complete the Save Command successfully,
24 depending upon the nature of the fault.
25 c) Caution should be taken when hot-un-plug the CFP module as described in 4.3.4
26 “Example of Module Turn-off Sequence”. The sequence by the Host and by the CFP
27 module cannot prevent the user NVR data corruption if a Save command is in
28 progress and the module is hot-un-plugged by a user.

29

30

1

Figure 12 Restore and Save Command Execution State Diagram



2
3

1 **4.11 Setup of Programmable Control and Alarm Pins**

2 The logic between Hardware Pin PRG_CTRL1 and PRG_CNTL1 Pin State is clarified
3 below.

4
5 *Table 14 Hardware Pin PRG_CTRL1 and PRG_CNTL1 Pin State Logical Relationship*

	Pin/Register Setting		MIS MSA Setting	
	Hardware pin PRG_CTRL1	Register A010h:b10 Soft PRG_CNTL1	Register A010h:b01 PRG_CNTL1 Pin State	CFP Operation
A	1=high (Normal)	0 (Normal)	1	Normal
B	1=high (Normal)	1 (Reset)	1	Reset
C	0=low (Reset)	0 (Normal)	0	Reset
D	0=low (Reset)	1 (Reset)	0	Reset

6
7 Hardware pins PRG_CTRL2 and 3 are used for the hardware interlock function during
8 Initialize State. After initialization, the pin functions follows PRG_CNTL2 and 3 Function
9 Select setting (A005h, A0006h:b7~0). In this case the CFP operation and PRG_CNTL Pin
10 State dependencies on hardware pin settings and Soft PRG_CNTL follow as defined in
11 Table 14.

12
13 **4.11.1 Programmable Control Functions for PRG CNTLs**

14 Each programmable control pin can be programmed with the functions defined in Table 15
15 Programmable Control Functions.

16
17 *Table 15 Programmable Control Functions*

NAME	FUNCTION	VALUE
TRXIC_RSTn	Reset TX and RX ICs, PRG_CNTL1 MSA default.	0: Normal, 1: Assign TRXIC_RSTn function to any of the 3 hardware pins PRG_CNTL3, PRG_CNTL2, and PRG_CNTL1. When so assigned these hardware pins use the active low logic, that is, 0 = Assert (Reset). Note that when so assigned, their soft counterparts Soft PRG_CNTL3, Soft PRG_CNTL2, and Soft PRG_CNTL1 (A010h.12~10) use an active high logic, that is, 1 = Assert (Reset).

18
19
20 **4.11.2 Programmable Alarm Sources for PRG ALRMs**
21 Each programmable alarm pin can be programmed with the alarm sources defined in Table
22 16 Programmable Alarm Sources.

23

1

Table 16 Programmable Alarm Sources

NAME	ALARM SOURCE	VALUE
HIPWR_ON	Module high-power-on indicator. PRG_ALARM1 MSA default.	0: Module not high powered up, 1: Module high power up completed.
MOD_READY	MOD_READY, module startup sequence done, PRG_ALARM2 MSA default.	0: Not done, 1: Done.
MOD_FAULT	Fault detected. PRG_ALARM3 MSA default.	0: No Fault, 1: Fault.
RX_ALARM	Receive path alarm = RX_LOS + RX_LOL.	0: No receive path alarm, 1: Receive path alarm asserted.
TX_ALARM	Transmit path alarm = TX_LOSF + TX_HOST_LOL + TX_CMU_LOL.	0: No transmit path alarm, 1: Transmit path alarm asserted.
RX_LOL	RX IC Lock Indicator.	0: Locked, 1: Loss of lock.
TX_LOSF	Transmitter Loss of Signal Functionality.	0: All transmitter signals functional, 1: Any transmitter signal not functional
TX_LOL	TX IC Lock Indicator.	0: Locked, 1: Loss of lock.
OOA	Host lane skew out of alignment indicator.	0: No OOA, 1: Out of alignment.

1 **5 CFP REGISTER DESCRIPTION**

2 The detailed CFP register descriptions are listed in Table 19 CFP NVR 1 through Table 26
3 Host Lane VR 1. Each table has 7 columns with the following definition.

4
5 Table 17 Table Column Description

Column	Description
Hex Addr.	MDIO address in hex number format For multi-register Data Field, it represents the lowest address of the field.
Size	Number of CFP registers in a given Data Field.
Access Type	RO = Read Only; RW = Read and Write; LH = Latched High ¹ ; COR = Clear On Read ² ; SC = Self Clearing.
Bit	This field indicates the range of bits used for a particular field in the format of m~n, where m is starting high bit and n is the ending low bit.
Register Name	This is the name of a register. Full English words are used for maximum clarity. Acronym use is minimized.
Bit Field Name	This is the name of a specific bit data field. Full English words are used for maximum clarity. Acronym use is minimized. Normally in non-bold face.
Description	Details of each Register field and/or behavior of a bit.
LSB Unit	This column contains the unit of a physical quantity represented by the least significant bit of the register field.
Init Value	The initial value that each volatile registers takes after the module boots up or is reset.
1. Latch registers are set on the rising edge of the associated status signals. 2. Clear-on-Read bits are cleared to 0 upon Host-read, independent of the condition of the (unlatched) status signal.	

6

7 **5.1 CFP NVR 1 Table: Base ID Registers**

8 The 0x8000h page Base ID Registers defined in Table 19 CFP NVR 1 are designed to
9 support CFP modules. For support of MSA-100GLH modules, some of these registers have
10 been modified. These modified registers are identified in Table 31: CFP NVR 1 Modified
11 Registers. In a future release of the CFP MSA MIS, Table 31 will be merged with Table 19.

12 **5.1.1 Module Identifier (8000h)**

13 For CFP MSA compliant modules, this value shall be 0Eh. Other module form factors used
14 in the industry are identified with other values. For details, please refer to CFP NVR Table
15 1.

16 **5.1.2 Extended Identifier (8001h)**

17 It provides additional information about CFP module.

18 **5.1.2.1 Power Class**

19 As outlined in the CFP MSA Hardware Specification, there are four power classes identified
20 for the CFP MSA. The power classes are provided to allow the host to identify the power

1 requirements of the module and determine if the system is capable of providing and
2 dissipating the specified power class. For a more detailed description, please refer to the
3 CFP MSA Hardware Specification.

4 **5.1.2.2 Lane Ratio Type**

5 The CFP module shall support network interfaces which may comply with various physical
6 interfaces such as IEEE PMD, SONET/SDH, OTN or that from other standards body. For
7 example, 100GBASE-LR4 network interface corresponds to the optical PMD specified in
8 IEEE clause 88. The CFP module shall also support the Host interface which is
9 instantiated as an electrical interface with multiple lanes operating at a nominal 10Gbps.

10 **5.1.2.3 WDM Type**

11 It shall identify any optical grid spacing which is in use by the CFP module.

12 **5.1.3 Connector Type Code (8002h)**

13 It shall identify the connector technology used for the network interface. Early iterations of
14 the CFP MSA have identified SC optical connectors, and it is expected that further
15 connectors will be identified.

16 **5.1.4 Ethernet Application Code (8003h)**

17 It shall identify what if any Ethernet PMD application is supported. Any CFP module which
18 supports an application not including Ethernet such as SONET/SDH, OTN, Fiber Channel
19 or other, shall record a 00h to signify that the Ethernet application is undefined. Any CFP
20 module which supports an application which includes Ethernet and additional applications
21 such as SONET/SDH, OTN, Fiber Channel or other, shall record the value in Ethernet
22 Application Code corresponding to the supported Ethernet application.

23 **5.1.5 Fiber Channel Application Code (8004h)**

24 It shall identify what if any Fiber Channel PMD application is supported. Any CFP module
25 which supports an application not including Fiber Channel such as SONET/SDH, OTN,
26 Ethernet or other, shall record a 00h to signify that the Fiber Channel application is
27 undefined. Any CFP module which supports an application which includes Fiber Channel
28 and additional applications such as SONET/SDH, OTN, Ethernet or other, shall record the
29 value in Fiber Channel Application Code corresponding to the supported Fiber Channel
30 application.

31 **5.1.6 Copper Link Application Code (8005h)**

32 In this CFP register, the CFP module shall identify what if any non-Ethernet Copper based
33 PMD application which is supported. At the time of the writing, this application is undefined.

34 **5.1.7 SONET/SDH Application Code (8006h)**

35 It shall identify what if any SONET/SDH PMD application is supported. Any CFP module
36 which supports an application not including SONET/SDH such as Ethernet, OTN, Fiber

1 Channel or other, shall record a 00h to signify that the SONET/SDH application is
2 undefined. Any CFP module which supports an application which includes SONET/SDH
3 and additional applications such as Ethernet, OTN, Fiber Channel or other, shall record the
4 value in SONET/SDH Application Code corresponding to the supported SONET/SDH
5 application.

6 **5.1.8 OTN Application Code (8007h)**

7 It shall identify what if any OTN PMD application is supported. Any CFP module which
8 supports an application not including OTN such as SONET/SDH, Ethernet, Fiber Channel
9 or other, shall record a 00h to signify that the OTN application is undefined. Any CFP
10 module which supports an application which includes OTN and additional applications such
11 as SONET/SDH, Ethernet, Fiber Channel or other, shall record the value in OTN
12 Application Code corresponding to the supported OTN application.

13 **5.1.9 Additional Capable Rates Supported (8008h)**

14 **5.1.10 Number of Lanes Supported (8009h)**

15 The network lane number assignment shall always start from 0h and end with the number
16 of lanes supported minus one, with no number skipped in between. This shall be
17 applicable to both network and host lanes whether the lane numbers are different or the
18 same. For example, a serial network lane implementation shall use lane 0 and a 4 network
19 lane PMD shall use lane number 0 ~ 3. A CAUI host interface shall use lane numbers 0 ~
20 9.

21 **5.1.10.1 Number of Network Lanes**

22 It is a 4-bit number representing the number of network data I/O supported in this module.
23 The value of 0 represents 16 network data I/O supported. The values of 1 through 15
24 represent the actual number of network lanes supported.

25 **5.1.10.2 Number of Host Lanes**

26 It is a 4-bit number representing the number of host data I/O supported in this module. The
27 value of 0 represents 16 host data I/O supported. The values of 1 through 15 represent
28 the actual number of host lanes supported.

29 **5.1.11 Media Properties (800Ah)**

30 **5.1.11.1 Media Type**

31 It shall identify the type of transmission media for the supported application using bits 7~6.

32 **5.1.11.2 Directionality**

33 It shall identify if supported application uses the same transmission media for the
34 transmit/receive network interfaces (Bi-Directional) or if separate transmission media are
35 required for transmit and receive network interfaces, respectively.

1 **5.1.11.3 Optical Multiplexing and De-Multiplexing**

2 It shall identify if optical multiplexing and optical de-multiplexing are supported within the
3 CFP module.

4 **5.1.11.4 Active Fiber per Connector**

5 It shall identify the number of active TX/RX fiber pairs in an optical connector. For
6 example, a CFP module supporting the 100GBASE-SR10 application using an MPO
7 connector shall report 10 in Active Fiber per Connector.

8 **5.1.12 Maximum Network Lane Bit Rate (800Bh)**

9 It shall identify maximum data rate supported per network lane. For more complex
10 modulation schemes than OOK (on/off keying), the value reported shall be the bit rate and
11 not the baud rate. The value shall be based upon units of 0.2 Gbps. A value of 0h is
12 considered undefined.

13 **5.1.13 Maximum Host Lane Bit Rate (800Ch)**

14 It shall identify maximum data rate supported per host lane. The value shall be based upon
15 units of 0.2 Gbps. The nominal lane rate suggested in the CFP MSA HW Specification is
16 10Gbps. However, various applications such as support for OTU4 and future applications
17 will require higher lane rates. A value 0h is considered undefined.

18 **5.1.14 Maximum Single Mode Optical Fiber Length (800Dh)**

19 It shall identify the specified maximum reach supported by the application for transmission
20 over single mode fiber. The value shall be based upon units of 1km. For applications which
21 operate over compensated transmission systems, it is suggested to enter an undefined
22 value. A value of 0h is considered undefined.

23 **5.1.15 Maximum Multi-Mode Optical Fiber Length (800Eh)**

24 It shall identify the specified maximum reach supported by the application for transmission
25 over OM3 multi-mode fiber. The value shall be based upon units of 10 m. A value of 0h is
26 considered undefined.

27 **5.1.16 Maximum Copper Cable Length (800Fh)**

28 The module shall identify the specified maximum reach supported by the application for
29 transmission over copper cable. The value shall be based upon units of 1 m. A value of 0h
30 is considered undefined.

31 **5.1.17 Transmitter Spectral Characteristics 1 (8010h)**

32 **5.1.17.1 Number of Active Transmit Fibers**

33 Bits 4~0 are a value identifying the number of active optical fiber outputs supported. The
34 value 0 represents 0 active transmit fibers (i. e., receive-only), copper or undefined. The

1 values of 1 through 31 represent the actual number of active transmit fibers. For example,
2 the value for 100GBASE-SR10 is 10.

3 **5.1.18 Transmitter Spectral Characteristics 2 (8011h)**

4 **5.1.18.1 Number of Wavelengths per Active Transmit Fiber**

5 Bits 4~0 are a value representing the number of wavelengths per active transmit fiber. The
6 value 0h represents an 850 nm multimode source or undefined. The values 1 through 31
7 represent the actual number of wavelengths per transmit fiber. For example, the value for
8 100GBASE-LR4 is 4.

9 **5.1.19 Minimum Wavelength per Active Fiber (8012h, 8013h)**

10 It is a 16-bit unsigned value data field and shall identify the minimum wavelength, in the unit
11 of 25 pm, of any supported optical fiber output per the application. For an example, the
12 value for 100GBASE-LR4 with a minimum specified wavelength of 1294.53 nm would be
13 CA45h. A value of 0 indicates a multimode source or undefined.

14 **5.1.20 Maximum Wavelength per Active Fiber (8014h, 8015h)**

15 It is a 16-bit unsigned value data field and shall identify the maximum wavelength, in the
16 unit of 25 pm, of any supported optical fiber output per the application. For an example, the
17 value for 100GBASE-LR4 with a maximum specified wavelength of 1310.19 nm would be
18 CCB8h. A value of 0 indicates a multimode source or undefined.

19 **5.1.21 Maximum per Lane Optical Width (8016h, 8017h)**

20 It shall identify the maximum network lane optical wavelength width, in the unit of 1pm, of
21 any supported optical fiber output per the application. For an example, the value for
22 100GBASE-LR4 with a maximum specified optical wavelength width of 2.1nm for network
23 lane L₃ would be 834h. A value of 0 indicates a multimode source or undefined.

24 **5.1.22 Device Technology 1 (8018h)**

25 **5.1.22.1 Laser Source Technology**

26 It shall identify the type of laser technology which is used. There is a CFP register value for
27 electrical/copper (non-laser) transmission, as well as additional reserved space for as of yet
28 undefined laser types.

29 **5.1.22.2 Transmitter Modulation Technology**

30 It shall identify the type of modulation technology used. This is a 4-bit unsigned value
31 representing commonly used modulation technologies with reserved values to represent for
32 as of yet undefined modulator types.

1 **5.1.23 Device Technology 2 (8019h)**

2 Several data fields in this register are related to tunable transmitters. However the full
3 support of tunability is not fully covered in the Draft. It shall be supported either in the
4 future release of this draft or in a follow-up MSA.

5 **5.1.23.1 Wavelength Control**

6 It shall identify if the laser technology which is used includes an active wavelength control
7 mechanism. Active wavelength control mechanism is defined to be a wavelength sensitive
8 device which can be used to compare the actual transmitted wavelength from the expected
9 transmitted wavelength. The value of 0b signifies no control mechanism and 1b signifies
10 the presence of such a mechanism within the CFP module.

11 **5.1.23.2 Cooled Transmitter**

12 It shall identify if the transmitter is coupled to a cooling mechanism within the module. A
13 popular implementation for such a coupled cooling mechanism is to mount a laser such that
14 it is thermally coupled to a thermoelectric cooler which is controlled to keep the laser within
15 a defined temperature range. If any cooling mechanism is present the transmitter is
16 considered to be cooled. A transmitter is considered to be cooled even if the cooling
17 mechanism is not always active. The value of 0b signifies no cooling mechanism and 1b
18 signifies the presence of such a cooling mechanism within the CFP module.

19 **5.1.23.3 Tunability**

20 It shall identify if the transmitted optical wavelength may be tuned over a specified spectral
21 range. The value of 0b signifies no tuning mechanism and 1b signifies the presence of such
22 a tuning mechanism within the CFP module.

23 **5.1.23.4 VOA Implemented**

24 It shall identify if the optical receiver implements a variable optical attenuator (VOA) within
25 the optical receive chain. The value of 0b signifies no VOA mechanism and 1b signifies the
26 presence of such a VOA mechanism within the CFP module.

27 **5.1.23.5 Detector Type**

28 It shall identify the type of detector technology which is used. There is a CFP register value
29 for undefined detector types.

30 **5.1.23.6 CDR with EDC**

31 It shall identify if the Clock and Data Recovery (CDR) circuitry within the CFP module
32 receive path contains any electronic dispersion compensation (EDC) techniques to improve
33 the receiver performance. It is recognized that there exist a variety of EDC techniques with
34 varying performance enhancements and tradeoffs – this CFP register does not convey any
35 detail, only if the CFP module implements EDC within the receiver. The value of 0b
36 signifies no EDC mechanism and “1” signifies the presence of such an EDC mechanism
37 within the CFP module.

1 **5.1.24 Signal Code (801Ah)**

2 **5.1.24.1 Modulation**

3 It shall identify the polarity coding used in the optical modulation. A value of 0b is
4 considered undefined.

5 **5.1.24.2 Signal Coding**

6 It shall identify the signaling coding used in the optical modulation. A value of 0b is
7 considered undefined.

8 **5.1.25 Maximum Total Optical Output Power per Connector (801Bh)**

9 It shall identify the maximum optical output power of any supported optical fiber output per
10 the application. A value of 0h is considered undefined.

11 **5.1.26 Maximum Optical Input Power per Network Lane (801Ch)**

12 It shall identify the maximum optical input power of any supported optical fiber input per the
13 application. A value of 0h is considered undefined.

14 **5.1.27 Maximum Power Consumption (801Dh)**

15 It shall identify the maximum power consumption of any supported application. A value of
16 0h is considered undefined.

17 **5.1.28 Maximum Power Consumption in Low Power Mode (801Eh)**

18 It shall identify the maximum power consumption of the low power mode state. The low
19 power mode state is described in detail in the CFP MSA Hardware specification. A value of
20 0h is considered undefined.

21 **5.1.29 Maximum Operating Case Temp Range (801Fh)**

22 It shall identify the maximum operating case temperature specified of any supported
23 application. It is a signed 8-bit value expressed in two's-complement, representing a total
24 range from -127 to +127 in increments of 1 degree C'. The value -128 (80h) indicates the
25 value is not defined.

26 **5.1.30 Minimum Operating Case Temp Range (8020h)**

27 It shall identify the minimum operating case temperature specified of any supported
28 application. It is a signed 8-bit value expressed in two's-complement, representing a total
29 range from -127 to +127 in increments of 1 degree C'. The value -128 (80h) indicates the
30 value is not defined.

31 **5.1.31 Vendor Name (8021h)**

32 It shall identify the CFP module Vendor name in ASCII code. The vendor name is a 16 byte
33 field that contains ASCII characters, left aligned and padded on the right with ASCII spaces
34 (20h). The vendor name shall be the full name of the corporation, a commonly accepted

1 abbreviation of the name or the stock exchange code for the corporation. Vendor is the
2 CFP module vendor.

3 **5.1.32 Vendor OUI (8031h)**

4 It is a 3 byte field that contains the IEEE Company Identifier for CFP module vendor (as
5 opposed to the OUI of any third party ICs which may be used therein). Bit order for the OUI
6 follows the format of IEEE 802.3 Clause 22.2.4.3.1 and is therefore reversed in comparison
7 to other NVRs. A value of all zero in the 3 byte field indicates that the Vendor OUI is
8 unspecified. Vendor is the CFP module vendor.

9 **5.1.33 Vendor Part Number (8034h)**

10 It is a 16 byte field that contains ASCII characters, left aligned and padded on the right with
11 ASCII spaces (20h), defining the vendor part number or product name. A value of all zero
12 in the 16 byte field indicates that the Vendor Part Number is unspecified. Vendor is the CFP
13 module vendor.

14 **5.1.34 Vendor Serial Number (8044h)**

15 It is a 16 byte field that contains ASCII characters, left aligned and padded on the right with
16 ASCII spaces (20h), defining the vendor's serial number. A value of all zero in the 16 byte
17 field indicates that the Vendor SN is unspecified. Vendor is the CFP module vendor.

18 **5.1.35 Date Code (8054h)**

19 It is an 8 byte field that contains the vendor's date code in ASCII characters. A value of all
20 zero in the 8 byte field indicates that the Vendor date code is unspecified. Vendor is the
21 CFP module vendor.

22

23

Table 18 Date Code Example

CFP Register	Date Value Example of March 10, 2009. (Bit 7 = MSB, bit 0 = LSB)
8054	32h ('2')
8055	30h ('0')
8056	30h ('0')
8057	39h ('9')
8058	30h ('0')
8059	33h ('3')
805A	31h ('1')
805B	30h ('0')

24

1 **5.1.36 Lot Code (805Ch)**

2 It is a 2-byte field that contains the vendor's lot code in ASCII characters. A value of all zero
3 in the 2-byte field indicates that the Vendor lot code is unspecified. Vendor is the CFP
4 module vendor.

5 **5.1.37 CLEI Code (805Eh)**

6 It is a 10 byte field that contains the Common Language Equipment Identifier code in ASCII
7 characters. A value of all zero in the 10 byte field indicates that the CLEI code is
8 unspecified.

9 **5.1.38 CFP MSA Hardware Specification Revision Number (8068h)**

10 It indicates the CFP MSA hardware specification version number supported by the
11 transceiver. This 8-bit value represents the version number times 10. This yields a max of
12 25.5 revisions.

13 **5.1.39 CFP MSA Management Interface Specification Revision Number (8069h)**

14 It indicates the CFP MSA Management specification version number supported by the CFP
15 module. This 8-bit value represents the version number times 10. This yields a max of
16 25.5 revisions.

17 **5.1.40 Module Hardware Version Number (806Ah)**

18 It is a 2-byte number in the format of x.y with x at lower address and y at higher address. In
19 each register this 8-bit value represents the version number from 0 to 255. A value of all
20 zero in this 2-byte field indicates that the vendor HW version number is unspecified.

21 **5.1.41 Module Firmware Version Number (806Ch)**

22 It is a 2-byte field in the format of "x.y". The "x" value is contained within the lower address.
23 The "y" value is contained in the upper address. In each register this 8-bit value represents
24 the release number from 0 to 255. A value of all zero in this 2-byte field indicates that the
25 vendor FW version number is unspecified.

26 **5.1.42 Digital Diagnostic Monitoring Type (806Eh)**

27 It is a one byte field with 8 single bit indicators describing how DDM functions are
28 implemented in CFP module.

29 **5.1.43 Digital Diagnostic Monitoring Capability 1 (806Fh)**

30 It describes DDM functions implemented at CFP module level (not lane specific). This
31 MSA draft specifies 4 A/D inputs, transceiver SOA bias current monitor, transceiver power
32 supply voltage monitor, transceiver internal temperature monitor, and transceiver case
33 temperature monitor. The last quantity, transceiver case temperature monitor is intended
34 for supplying an additional monitor to transceiver internal temperature monitor. The

1 definition and implementation of case temperature is left to be specified by vendor
2 datasheet.

3 **5.1.44 Digital Diagnostic Monitoring Capability 2 (8070h)**

4 It describes DDM functions implemented at network lane level.

5 **5.1.45 Module Enhanced Options (8071h)**

6 It describes enhanced optional functions implemented in CFP module. Refer to register
7 description for details.

8 **5.1.46 Maximum High-Power-up Time (8072h)**

9 It is for a vendor defined parameter which specifies the maximum time to transit the "High-
10 Power-up" state shown in *Figure 3 State Transition Diagram during Startup and Turn-off*.
11 The Host may use this value as the time-out value. It is an unsigned 8-bit value * 1 second.
12 Use 1 second if the actual time is less than one second.

13 **5.1.47 Maximum TX-Turn-on Time (8073h)**

14 It is for a vendor defined parameter which specifies the maximum time to transit the "TX-
15 Turn-on" state shown in *Figure 3 State Transition Diagram during Startup and Turn-off*.
16 The Host may use this value as the time-out value. It is an unsigned 8-bit value in units of
17 1 second. Use 1 second if the actual time is less than 1 second.

18 **5.1.48 Host Lane Signal Spec (8074h)**

19 It specifies the host lane signal type a module supports. Refer to register description for
20 details.

21 **5.1.49 Heat Sink Type (8075h)**

22 It identifies if the top surface of the CFP module has a flat top or integrated heat sink. The
23 CFP MSA supports various networking applications which may require different thermal
24 management solutions. The default top surface of the CFP module is a flat top, however,
25 some networking applications will benefit from an integrated heat sink. An integrated heat
26 sink complies with the total module height requirements and shall not disrupt, disable nor
27 damage any riding heat sink system. For further details, refer to the CFP MSA Hardware
28 specification.

29 **5.1.50 Maximum TX-Turn-off Time (8076h)**

30 It is for a vendor defined parameter which specifies the maximum time to transit the "TX-
31 Turn-off" state shown in *Figure 3 State Transition Diagram during Startup and Turn-off*.
32 The Host may use this value as the time-out value. It is an unsigned 8-bit value in units of
33 ms. Use 1 ms if the actual time is less than 1 millisecond.

1 **5.1.51 Maximum High-Power-down Time (8077h)**

2 It is for a vendor defined parameter which specifies the maximum time to transit the "High-
3 Power-down" state shown in *Figure 3 State Transition Diagram during Startup and Turn-off*.
4 The Host may use this value as the time-out value. It is an unsigned 8-bit value * 1 second.
5 Use 1 second if the actual time is less than one second.
6

7 **5.1.52 Module Enhanced Options 2 (8078h)**

8 It describes the second enhanced optional functions implemented in CFP module. Refer to
9 register description for details.

10 **5.1.53 Transmitter Monitor Clock Options (8079h)**

11 This register contains the transmitter monitor clock option bits. The clock is intended to be
12 used as a reference for measurements of the optical output. If provided, the clock shall
13 operate at a rate relative to the optical lane rate of 1/16 rate for 40Gbit/s applications and a
14 1/8 rate of 25Gbit/s for 100Gbit/s applications. Another option is a clock at 1/16 or 1/64 the
15 rate of transmitter electrical input data.

16 **5.1.54 Receiver Monitor Clock Options (807Ah)**

17 This register contains the receiver monitor clock option bits. The clock is intended to be
18 used as a reference for measurements of the optical input. If provided, the clock shall
19 operate at a rate relative to the optical lane rate of 1/16 rate for 40Gbit/s applications and a
20 1/8 rate of 25Gbit/s for 100Gbit/s applications. Another option is a clock at 1/16 or 1/64 the
21 rate of transmitter electrical input data.

22 **5.1.55 Module Enhanced Options 3 (807Bh)**

23 It describes the third enhanced optional functions implemented in CFP module. Refer to
24 register description for details.

25 **5.1.56 CFP NVR 1 Checksum (807Fh)**

26 It is the 8 bit unsigned result of the checksum of all of the CFP register LSB contents from
27 addresses 8000h to 807Eh inclusive. Note that all the reserved registers have zero value
28 contribution to the calculation of this Checksum.
29

30 *Table 19 CFP NVR 1*

CFP NVR 1						
Hex Addr	Size	Access Type	Bit	Register Name Bit Field Name	Description	LSB Unit
<i>Base ID Information</i>						
8000	1	RO	7-0	Module Identifier	00h: Unknown or unspecified, 01h: GBIC, 02h: Module/connector soldered to motherboard, 03h: SFP,	N/A

CFP NVR 1						
Hex Addr	Size	Access Type	Bit	Register Name Bit Field Name	Description	LSB Unit
					04h: 300 pin XSBI, 05h: XENPAK, 06h: XFP, 07h: XFF, 08h: XFP-E, 09h: XPAK, 0Ah: X2, 0Bh: DWDM-SFP, 0Ch: QSFP, 0Dh: QSFP+, 0Eh: CFP, 0Fh: CXP (TBD), 10h ~ FFh : Reserved.	
8001	1	RO		Extended Identifier		N/A
			7~6	Power Class	00b: Power Class 1 Module (≤ 8 W max), 01b: Power Class 2 Module (≤ 16 W max), 10b: Power Class 3 Module (≤ 24 W max), 11b: Power Class 4 Module (≤ 32 W).	N/A
			5~4	Lane Ratio Type	00b: Network lane : Host lane = 1 : n (Mux type), 01b: Network lane : Host lane = n : m (Gear Box type), 10b: Network lane : Host lane = n : n (Parallel type), 11b: Reserved.	N/A
			3~1	WDM Type	000b: Non-WDM, 001b: CWDM, 010b: LANWDM, 011b: DWDM on 200G-grid, 100b: DWDM on 100G-grid, 101b: DWDM on 50G-grid, 110b: DWDM on 25G-grid, 111b: Other type WDM.	N/A
			0	CLEI Presence	0: No CLEI code present, 1: CLEI code present.	N/A
8002	1	RO	7~0	Connector Type Code	00h: Undefined, 01h : SC, 07h : LC, 08h : MT-RJ, 09h : MPO, Other Codes : Reserved.	N/A
8003	1	RO	7~0	Ethernet Application Code	Ethernet Application Code. 00h: Undefined type, 01h: 100GE SMF 10km, 100GE-LR4, 02h: 100GE SMF 40km, 100GE-ER4, 03h: 100GE MMF 100m OM3, 100GE-SR10, 04h: For future use, 05h: 40GE SMF 10km, 40GE-LR4, 07h: 40GE MMF 100m OM3, 40GE-SR4, 0Dh: 40GE-CR4 Copper 0Eh: 100GE-CR10 Copper, 0Fh: 40G BASE-FR, 10h~FFh: Reserved.	N/A
8004	1	RO	7~0	Fiber Channel Application Code	00h: Undefined type.	N/A
8005	1	RO	7~0	Copper Link Application Code	00h: Undefined type.	N/A
8006	1	RO	7~0	SONET/SDH Application Code	00h: Undefined type, 01h: VSR2000-3R2, 02h: VSR2000-3R3, 03h: VSR2000-3R5, 04h ~ 0FFh: Reserved.	N/A

CFP NVR 1						
Hex Addr	Size	Access Type	Bit	Register Name Bit Field Name	Description	LSB Unit
8007	1	RO		OTN Application Code	00h: Undefined type, 01h: VSR2000-3R2F, 02h: VSR2000-3R3F, 03h: VSR2000-3R5F, 04h: VSR2000-3L2F, 05h: VSR2000-3L3F, 06h: VSR2000-3L5F, 07h: C4S1-2D1 (OTL3.4), 08h: 4I1-9D1F (OTL4.4), 09h: P1I1-3D1 (NRZ 40G 1300nm, 10km) 0Ah ~ 0FFh: Reserved.	N/A
8008	1	RO		Additional Capable Rates Supported	Additional application rates module supporting.	N/A
			7~5	Reserved		0
			4	111.8 Gbps	0: Not supported, 1: Supported.	N/A
			3	103.125 Gbps	0: Not supported, 1: Supported.	N/A
			2	41.25 Gbps	0: Not supported, 1: Supported.	N/A
			1	43 Gbps	0: Not supported, 1: Supported.	N/A
0	39.8 Gbps	0: Not supported, 1: Supported.	N/A			
8009	1	RO		Number of Lanes Supported	Number of Network Lane supported and number of Host Lane supported in this particular module.	N/A
			7~4	Number of Network Lanes	The value of 0 represents 16 network lanes supported. The values of 1 through 15 represent the actual number of network lanes supported.	N/A
			3~0	Number of Host Lanes	The value of 0 represents 16 host lanes supported. The values of 1 through 15 represent the actual number of host lanes supported.	N/A
800A	1	RO		Media Properties		N/A
			7~6	Media Type	00b: SMF , 01b: MMF (OM3), 10b: Reserved, 11b: Copper.	N/A
			5	Directionality	0: Normal, 1: BiDi.	N/A
			4	Optical Multiplexing and De-multiplexing	0: Without optical MUX/DEMUX, 1: With optical MUX/DEMUX.	N/A
			3~0	Active Fiber per Connector	A 4-bit unsigned number representing number of active fibers for TX and RX per connector. 0: 16 TX Lanes and 16 RX Lanes, 1: 1 TX Lane and 1 RX Lane, 4: 4 TX Lanes and 4 RX Lanes, 10: 10 TX Lanes and 10 RX Lanes, 12: 12 TX Lanes and 12 RX Lanes.	N/A
800B	1	RO	7~0	Maximum Network Lane Bit Rate	8-bit value x 0.2 Gbps.	0.2 Gbps
800C	1	RO	7~0	Maximum Host Lane Bit Rate	8-bit value x 0.2 Gbps.	0.2 Gbps
800D	1	RO	7~0	Maximum Single Mode Optical Fiber Length	8-bit value x 1 km for single mode fiber length.	1 km
800E	1	RO	7~0	Maximum Multi-Mode Optical Fiber Length	8-bit value x 10 m for multi-mode fiber length.	10 m
800F	1	RO	7~0	Maximum Copper Cable Length	8-bit value x 1 m for copper cable length.	1 m
8010	1	RO		Transmitter Spectral Characteristics 1		N/A
			7~5	Reserved		0

CFP NVR 1						
Hex Addr	Size	Access Type	Bit	Register Name Bit Field Name	Description	LSB Unit
			4~0	Number of Active Transmit Fibers	0: Undefined.	N/A
8011	1	RO		Transmitter Spectral Characteristics 2		N/A
			7~5	Reserved		0
			4~0	Number of Wavelengths per active Transmit Fiber	0: Undefined.	N/A
8012	2	RO	7~0	Minimum Wavelength per Active Fiber	16-bit unsigned value x 0.025 nm. (MSB is at 8012h, LSB is at 8013h).	0.025 nm
8014	2	RO	7~0	Maximum Wavelength per Active Fiber	16-bit unsigned value x 0.025 nm. (MSB is at 8014h, LSB is at 8015h).	0.025 nm
8016	2	RO	7~0	Maximum per Lane Optical Width	Guaranteed range of laser wavelength. 16-bit unsigned value x 1 pm. MSB is at 8016h, LSB is at 8017h.	1 pm
8018	1	RO		Device Technology 1		N/A
			7~4	Laser Source Technology	0000b: VCSEL, 0001b: FP, 0010b: DFB, 0011b: DBR, 0100b: Copper, 0101b ~ 1111b:Reserved.	N/A
			3~0	Transmitter modulation technology	0000b: DML, 0001b: EML, 0010b: InP-MZ, 0011b: LN-MZ, 0100b: Copper, 0101b ~ 1111b: Reserved.	N/A
8019	1	RO		Device Technology 2		N/A
			7	Wavelength control	0: No wavelength control, 1: Active wavelength control.	N/A
			6	Cooled transmitter	0: Un-cooled transmitter device, 1: Cooled or Semi-cooled transmitter.	N/A
			5	Tunability	0: Transmitter not Tunable, 1: Transmitter Tunable.	N/A
			4	VOA implemented	0: Detector side VOA not implement, 1: Detector side VOA implement.	N/A
			3~2	Detector Type	00b: Undefined, (Use for Coherent type) 01b: PIN detector, 10b: APD detector, 11b: Optical Amplifier + PIN detector.	N/A
			1	CDR with EDC	0: CDR without EDC, 1: CDR with EDC.	N/A
0	Reserved		0			
801A	1	RO		Signal Code		N/A
			7~6	Modulation	00b: Undefined, 01b: NRZ, 10b: RZ, 11b: Reserved.	N/A
			5~2	Signal coding	0000b: Non-PSK, 0001b: ODB, 0010b: DPSK, 0011b: QPSK, 0100b: DQPSK, 0101b: DPQPSK, 0110~1010b: Reserved, 1011b: 16QAM, 1100b: 64QAM, 1101b: 256QAM, 1110~1111b: Reserved.	N/A
			1~0	Reserved		0
801B	1	RO	7~0	Maximum Total Optical Output Power per Connector	Unsigned 8 bit value * 100 uW.	100 uW

CFP NVR 1						
Hex Addr	Size	Access Type	Bit	Register Name Bit Field Name	Description	LSB Unit
801C	1	RO	7-0	Maximum Optical Input Power per Network Lane	Unsigned 8 bit value * 100 uW.	100 uW
801D	1	RO	7-0	Maximum Power Consumption	Unsigned 8 bit value * 200 mW.	200 mW
801E	1	RO	7-0	Maximum Power Consumption in Low Power Mode	Unsigned 8 bit value * 20 mW.	20 mW
801F	1	RO	7-0	Maximum Operating Case Temp Range	Signed 8 bit value of * 1 degC with valid range of 0 ~ 100 degC. Use 2's complement representation.	1 degC
8020	1	RO	7-0	Minimum Operating Case Temp Range	Signed 8 bit value. Increments of * 1 degC with valid range of -40 ~ +40 degC. Use 2's complement representation.	1 degC
8021	16	RO	7-0	Vendor Name	Vendor (manufacturer) name in any combination of letters and/or digits in ASCII code.	N/A
8031	3	RO	7-0	Vendor OUI	The vendor organizationally unique identifier field (vendor OUI) is a 3-byte field that contains the IEEE Company Identifier for the vendor.	N/A
8034	16	RO	7-0	Vendor Part Number	Vendor (manufacturer) part number in any combination of letters and/or digits in ASCII code.	N/A
8044	16	RO	7-0	Vendor Serial Number	Vendor (manufacturer) serial number in any combination of letters and/or digits in ASCII code.	N/A
8054	8	RO	7-0	Date Code	Vendor (manufacturer) date code in ASCII characters, in the format YYYYMMDD (e.g., 20090310 for March 10, 2009). One character at each MDIO address.	N/A
805C	2	RO	7-0	Lot Code	Lot code in any combination of letters and/or digits in ASCII code.	N/A
805E	10	RO	7-0	CLEI Code	CLEI Code in any combination of letters and/or digits in ASCII code.	N/A
8068	1	RO	7-0	CFP MSA Hardware Specification Revision Number	This register indicates the CFP MSA Hardware Specification version number supported by the transceiver. The 8 bits are used to represent the version number times 10. This yields a max of 25.5 revisions.	N/A
8069	1	RO	7-0	CFP MSA Management Interface Specification Revision Number	This register indicates the CFP MSA Management Interface Specification version number supported by the transceiver. The 8 bits are used to represent the version number times 10. This yields a max of 25.5 revisions.	N/A
806A	2	RO	7-0	Module Hardware Version Number	A two-register number in the format of x.y with x at lower address and y at higher address.	N/A
806C	2	RO	7-0	Module Firmware Version Number	A two-register number in the format of x.y with x at lower address and y at higher address.	N/A
806E	1	RO		Digital Diagnostic Monitoring Type		N/A
			7-4	Reserved		0
			3	Received power measurement type	0: OMA, 1: Average Power.	N/A
			2	Transmitted power measurement type	0: OMA, 1: Average Power.	N/A
			1-0	Reserved		0
806F	1	RO		Digital Diagnostic Monitoring Capability 1	Module level DDM capability.	N/A

CFP NVR 1						
Hex Addr	Size	Access Type	Bit	Register Name Bit Field Name	Description	LSB Unit
			7~6	Transceiver auxiliary monitor 2	00b: Not supported, 01b ~ 11b: TBD.	N/A
			5~4	Transceiver auxiliary monitor 1	00b: Not supported, 01b ~ 11b: TBD.	N/A
			3	Reserved		0
			2	Transceiver SOA bias current monitor	0: Not supported, 1: supported.	N/A
			1	Transceiver power supply voltage monitor	0: Not supported, 1: supported.	N/A
			0	Transceiver temperature monitor	0: Not supported, 1: supported.	N/A
8070	1	RO		Digital Diagnostic Monitoring Capability 2	Per lane DDM capability.	N/A
			7~4	Reserved		0
			3	Network Lane received power monitor	0: Not supported, 1: supported.	N/A
			2	Network Lane laser output power monitor	0: Not supported, 1: supported.	N/A
			1	Network Lane laser bias current monitor	0: Not supported, 1: supported.	N/A
			0	Network Lane laser temperature monitor	0: Not supported, 1: supported.	N/A
8071	1	RO		Module Enhanced Options		N/A
			7	Host Lane Loop-back	0: Not supported, 1: Supported.	N/A
			6	Host Lane PRBS Supported	0: Not supported, 1: Supported.	N/A
			5	Host Lane emphasis control	0: Not supported, 1: Supported.	N/A
			4	Network Lane Loop-back	0: Not supported, 1: Supported.	N/A
			3	Network Lane PRBS	0: Not supported, 1: Supported.	N/A
			2	Decision Threshold Voltage control function of FEC	This bit indicates whether Amplitude Adjustment function is supported in A280h ~ A28Fh or B300h~B30Fh. 0: Not supported, 1: Supported.	N/A
			1	Decision Phase control function of FEC	This bit indicates whether Phase Adjustment function is supported in A280h ~ A28Fh or B300h~B30Fh. 0: Not supported, 1: Supported.	N/A
0	Unidirectional TX/RX only Operation Modes	0: Not supported, 1: Supported.	N/A			
8072	1	RO	7~0	Maximum High-Power-up Time	Fully power up time required by module. Unsigned 8-bit value * 1 sec. Use 1 sec if the actual time is less than 1 sec.	1 sec
8073	1	RO	7~0	Maximum TX-Turn-on Time	Maximum time required to turn on all TX lanes and to let them reach stability. Unsigned 8-bit value * 1 sec. Use 1 sec if it is less than 1 sec.	1 sec.
8074	1	RO	7~0	Host Lane Signal Spec	0: Unspecified, 1: CAUI, 2: XLAUI, 3: SFI5.2, 4~255: Reserved.	N/A
8075	1	RO		Heat Sink Type		N/A
			7~1	Reserved		0
			0	Heat Sink Type	0: Flat top, 1: Integrated heat sink.	N/A
8076	1	RO	7~0	Maximum TX-Turn-off Time	Maximum time required to turn off all transmitters. Unsigned 8-bit value * 1 ms.	1 ms
8077	1	RO	7~0	Maximum High-Power-down Time	Maximum time required from entering the High-Power-down state to exit from this state. Unsigned 8-bit value * 1 sec. Use 1 sec if it is less than 1 second.	1 sec.
8078	1	RO		Module Enhanced Options 2		N/A
			7~5	Reserved		N/A

CFP NVR 1						
Hex Addr	Size	Access Type	Bit	Register Name Bit Field Name	Description	LSB Unit
			4	Active Decision Voltage and Phase function	0: Not supported, 1: Supported.	N/A
			3	RX FIFO Reset	0: Not supported, 1: Supported.	N/A
			2	RX FIFO Auto Reset	0: Not supported, 1: Supported.	N/A
			1	TX FIFO Reset	0: Not supported, 1: Supported.	N/A
			0	TX FIFO Auto Reset	0: Not supported, 1: Supported.	N/A
8079	1	RO		Transmitter Monitor Clock Options	This clock is intended to be used as a reference for measurements of the optical output. If provided, the clock shall operate at a rate relative to the optical lane rate of 1/16 rate for 40Gbit/s applications and a 1/8 rate of 25Gbit/s for 100Gbit/s applications. Another option is a clock at 1/16 or 1/64 the rate of transmitter electrical input data.	0
			7	1/16 of Host Lane Rate	0: Not supported, 1: Supported.	0
			6	1/16 of Network Lane Rate	0: Not supported, 1: Supported.	0
			5	1/64 of Host Lane Rate	0: Not supported, 1: Supported.	0
			4	1/64 of Network Lane Rate	0: Not supported, 1: Supported.	0
			3	Reserved		0
			2	1/8 of Network Lane Rate	0: Not supported, 1: Supported.	0
			1	Reserved		0
			0	Monitor Clock Option	0: Supported, 1: Supported.	0
807A	1	RO		Receiver Monitor Clock Options	The CFP module may supply an optional receiver monitor clock. This clock is intended to be used as a reference for measurements of the optical input. If provided, the clock shall operate at a rate relative to the optical lane rate of 1/16 rate for 40Gbit/s applications and 1/8 rate of 25Gbit/s for 100Gbit/s applications. Another option is a clock at 1/16 or 1/64 rate of the receiver electrical output data.	0
			7	1/16 of Host Lane Rate	0: Not supported, 1: Supported.	0
			6	1/16 of Network Lane Rate	0: Not supported, 1: Supported.	0
			5	1/64 of Host Lane Rate	0: Not supported, 1: Supported.	0
			4	1/64 of Network Lane Rate	0: Not supported, 1: Supported.	0
			3	Reserved		0
			2	1/8 of Network Lane Rate	0: Not supported, 1: Supported.	0
			1	Reserved		0
			0	Monitor Clock Option	0: Not supported, 1: Supported.	0
807B	4	RO		Reserved		0
807F	1	RO	7-0	CFP NVR 1 Checksum	The 8-bit unsigned sum of all CFP NVR 1 contents from address 8000h through 807Eh inclusive.	N/A

1

2 **5.2 CFP NVR 2 Table: Alarm/Warning Threshold Registers**

3 This whole table contains alarm and warning thresholds for DDM A/D measurement values,
 4 listed in CFP registers 8080h through 80FEh. Each register field is a 16-bit value with the
 5 type of signed and unsigned detailed in *Table 20 CFP NVR 2*. Each register field uses two
 6 addresses with MSB at lower address. All of the alarm and warning thresholds are listed in
 7 *Table 20 CFP NVR 2*.

1 The 0x8000h page Base ID Registers defined in *Table 20 CFP NVR 2* are designed to
2 support CFP modules. For support of MSA-100GLH modules, some new registers have
3 been added. These registers are identified in *Table 32: CFP NVR 2 Added Registers*. In a
4 future release of the CFP MSA MIS, *Table 32* will be merged with *Table 20*.

5
6 Each A/D value has a corresponding high alarm, low alarm, high warning and low warning
7 threshold. The warning thresholds have more conservative value in terms of reporting the
8 monitored A/D measurements while alarm thresholds represent more severe conditions
9 that call for immediate attention when A/D measurements hit these values. These factory-
10 set values allow the host to determine when a particular value is outside of "normal" limits
11 as determined by the CFP module manufacturer. It is assumed that these threshold values
12 will vary with different technologies and different implementations.

14 *Table 20 CFP NVR 2*

CFP NVR 2						
Hex Addr	Size	Access Type	Bit	Register Name Bit Field Name	Description	LSB Unit
<i>Alarm/Warning Threshold Registers</i>						
8080	2	RO	7~0	Transceiver Temp High Alarm Threshold	These thresholds are a signed 16-bit integer with LSB = 1/256 of a degree Celsius representing a range from -128 to + 127 255/256 degree C. MSA valid range is between -40 and +125C." MSB stored at low address, LSB stored at high address.	1/256 degC
8082	2	RO	7~0	Transceiver Temp High Warning Threshold		
8084	2	RO	7~0	Transceiver Temp Low Warning Threshold		
8086	2	RO	7~0	Transceiver Temp Low Alarm Threshold		
8088	2	RO	7~0	VCC High Alarm Threshold	These thresholds are an unsigned 16-bit integer with LSB = 0.1 mV, representing a range of voltage from 0 to 6.5535 V. MSB stored at low address, LSB stored at high address.	0.1 mV
808A	2	RO	7~0	VCC High Warning Threshold		
808C	2	RO	7~0	VCC Low Warning Threshold		
808E	2	RO	7~0	VCC Low Alarm Threshold		
8090	2	RO	7~0	SOA Bias Current High Alarm Threshold	These threshold values are an unsigned 16-bit integer with LSB = 2 uA, representing a range of current from 0 to 131.072 mA. MSB stored at low address, LSB stored at high address.	2 uA
8092	2	RO	7~0	SOA Bias Current High Warning Threshold		
8094	2	RO	7~0	SOA Bias Current Low Warning Threshold		
8096	2	RO	7~0	SOA Bias Current Low Alarm Threshold		
8098	2	RO	7~0	Auxiliary 1 Monitor High Alarm Threshold	TBD	TBD
809A	2	RO	7~0	Auxiliary 1 Monitor High Warning Threshold	TBD	
809C	2	RO	7~0	Auxiliary 1 Monitor Low Warning Threshold	TBD	
809E	2	RO	7~0	Auxiliary 1 Monitor Low Alarm Threshold	TBD	
80A0	2	RO	7~0	Auxiliary 2 Monitor High Alarm Threshold	TBD	TBD
80A2	2	RO	7~0	Auxiliary 2 Monitor High Warning Threshold	TBD	
80A4	2	RO	7~0	Auxiliary 2 Monitor Low Warning Threshold	TBD	

CFP NVR 2						
Hex Addr	Size	Access Type	Bit	Register Name Bit Field Name	Description	LSB Unit
80A6	2	RO	7~0	Auxiliary 2 Monitor Low Alarm Threshold	TBD	
80A8	2	RO	7~0	Laser Bias Current High Alarm Threshold	Alarm and warning thresholds for measured laser bias current. Reference A2A0h Description for additional information. MSB stored at low address, LSB stored at high address.	See A2A0h
80AA	2	RO	7~0	Laser Bias Current High Warning Threshold		
80AC	2	RO	7~0	Laser Bias Current Low Warning Threshold		
80AE	2	RO	7~0	Laser Bias Current Low Alarm Threshold		
80B0	2	RO	7~0	Laser Output Power High Alarm Threshold	Alarm and warning thresholds for measured laser output power. For additional information see A2B0h in case of CFP or B330 in case of 100GLH Module. MSB stored at low address, LSB stored at high address.	See A2B0h Or B330h
80B2	2	RO	7~0	Laser Output Power High Warning Threshold		
80B4	2	RO	7~0	Laser Output Power Low Warning Threshold		
80B6	2	RO	7~0	Laser Output Power Low Alarm Threshold		
80B8	2	RO	7~0	Laser Temperature High Alarm Threshold	Alarm and warning thresholds for measured received input power. Reference A2C0h Description for additional information. MSB stored at low address, LSB stored at high address.	See A2C0h
80BA	2	RO	7~0	Laser Temperature High Warning Threshold		
80BC	2	RO	7~0	Laser Temperature Low Warning Threshold		
80BE	2	RO	7~0	Laser Temperature Low Alarm Threshold		
80C0	2	RO	7~0	Receive Optical Power High Alarm Threshold	Alarm and warning thresholds for measured received input power. Reference A2D0h Description for additional information. MSB stored at low address, LSB stored at high address.	See A2D0h
80C2	2	RO	7~0	Receive Optical Power High Warning Threshold		
80C4	2	RO	7~0	Receive Optical Power Low Warning Threshold		
80C6	2	RO	7~0	Receive Optical Power Low Alarm Threshold		
80C8	55	RO	7~0	Reserved		0
80FF	1	RO	7~0	CFP NVR 2 Checksum	The 8-bit unsigned sum of all CFP NVR 2 contents from address 8080h through 80FEh inclusive.	NA

1

2 **5.3 CFP NVR 3 Table: Network Lane BOL Measurement Registers**

3 *Table 21 CFP NVR 3* lists four beginning-of-life measurements of network lanes as the
 4 reference data for module aging consideration. CFP MSA specifies that vendor provides
 5 these data as an option. For details regarding each measurement please refer to
 6 description of each register in the table.

7

Table 21 CFP NVR 3

CFP NVR 3						
Hex Addr	Size	Access Type	Bit	Register Name Bit Field Name	Description	LSB Unit

CFP NVR 3						
Hex Addr	Size	Access Type	Bit	Register Name Bit Field Name	Description	LSB Unit
<i>Network Lane BOL Measurements</i>						
8100	32	RO	7~0	RX Sensitivity Spec for network lanes 0 ~ 15.	RX Sensitivity measured in dBm @ BER=1e-12 at Typical condition. The value is a signed 16-bit integer with LSB = 0.01dBm. It uses two register addresses each for a total 32 register addresses for total 16 lanes.	0.01 dBm
8120	32	RO	7~0	TX Power Spec for network lanes 0 ~ 15.	TX Power measured in dBm at typical condition. The value is a signed 16-bit integer with LSB = 0.01dBm. It uses two register addresses each for a total 32 register addresses for total 16 lanes.	0.01 dBm
8140	32	RO	7~0	Measured ER for network lanes 0 ~ 15.	Measured Extinction ratio at Typical condition in dB. The value is an unsigned 16-bit integer with LSB = 0.01dB. It uses two register addresses each for a total 32 register addresses for total 16 lanes.	0.01 dB
8160	32	RO	7~0	Path Penalty for network lanes 0 ~ 15.	Path penalty @worst CD at Typical condition. The value is an unsigned 16-bit integer with LSB = 0.01dB. It uses two register addresses each for a total 32 register addresses for total 16 lanes.	0.01 dB

1

2 5.4 CFP NVR 4 Table

3 The 0x8000h page Base ID Registers defined in *Table 22 CFP NVR 4* are designed to
4 support CFP modules. For support of MSA-100GLH modules, new registers have been
5 added. These registers are identified in *Table 34: CFP NVR 4 Registers*. In a future release
6 of the CFP MSA MIS, *Table 34* will be merged with *Table 22*.

7

8

Table 22 CFP NVR 4

CFP NVR 4						
Hex Addr	Size	Access Type	Bit	Register Name Bit Field Name	Description	LSB Unit
8180	1	RO	7~0	CFP NVR 3 Checksum	The 8-bit unsigned sum of all CFP NVR 3 contents from address 8100h through 817Fh inclusive.	N/A
8181	127	RO	7~1	Reserved		N/A

9

10 5.5 CFP Module VR 1 Table

11 *Table 23 CFP Module VR 1* lists all the registers in several distinctive groups in terms of
12 their function. All of the registers in this table use 16-bit data format. The description of
13 each register field consists of three parts. The “Description” column of this table provides
14 some rudimentary information about each register. For more involved description, a

1 dedicated section of discussion is presented in “CFP Control and Signaling Theory”. The
2 sections presented in this chapter, provides additional information whenever it is
3 appropriate.

4
5 Some CFP Control, Status and DDM registers are application specific. CFP MSA intent is
6 to define registers and addresses. CFP MSA-compliant modules shall not use the
7 specified registers for alternate purposes.

8
9 CFP MSA-compliant modules need not support all application-specific A/D or status
10 registers defined here. For example, a parallel optical transceiver for short reach
11 application may not need APD power supply or TEC status support.

12 **5.5.1 CFP Command/Setup Registers**

13 This group includes 8 registers that host may use to control module behavior.

14 **5.5.1.1 NVR Access Control (A004h)**

15 This is a one address register with all the details documented in 4.10.

16 **5.5.1.2 PRG CNTLs Function Select (A005h, A006, A007h)**

17 Each of these registers selects a control function for the programmable control pins. Refer
18 to 4.11.1 Programmable Control Functions for PRG_CNTLs for details.

19 **5.5.1.3 PRG ALRMs Source Select (A008h, A009h, A00Ah)**

20 Each of these registers selects an alarm source for the programmable alarm pins. Refer to
21 4.11.2 Programmable Alarm Sources for PRG_ALRMs for details.

22 **5.5.1.4 Module Bi-/Uni- Directional Operating Mode Select (A00Bh)**

23 CFP module users may seek special applications where the CFP module is used for single
24 directional operation. In addition to the “Description” column of this CFP register more
25 information is referenced to 4.4 Special Modes of Operation.

26 **5.5.2 Module Control Registers (A010h~A014h)**

27 These registers provide both additional and alternative controls to hardware pins and
28 programmable control pins in controlling CFP module. More information is documented in
29 the “Description” column.

30 **5.5.3 Module State Register (A016h)**

31 Module State register provides real time States of the module operation. Its use has been
32 discussed in detail in 4.1 CFP Module States and Related Signals. Note that this register is
33 part of the global alarm system.

34 **5.5.4 Module Alarm Summary Registers (A018h, A019h, A01Ah, A01Bh)**

35 This set of CFP registers enable the fast diagnosis of locating the origin of a FAWS
36 condition for the Host in response to a global alarm interrupt request generated by

1 GLB_ALARM. This set of CFP registers is at the top level of the global alarm aggregation
2 hierarchy. Host can use this set of CFP registers as the top-level index for tracking down
3 the origin of the interrupt request. For more details in using these registers please
4 reference 4.6 Global Alarm System Logic.

5 **5.5.5 Module FAWS Registers (A01Dh, A01Eh, A01Fh, A020h)**

6 This set of CFP registers is the main source of module status and alarm/warning
7 conditions.

8 **5.5.6 Module FAWS Latch Registers (A022h, A023h, A024h, A025h, A026h)**

9 All the CFP registers in this group contain the latched version of Module Alarm/Status
10 Registers described above. Global Alarm uses these latched bits to report to the Host as
11 depicted by *Figure 10 Global Alarm Signal Aggregation*. All of the bits in these CFP
12 registers are cleared upon the Host reading.

13 **5.5.7 Module FAWS Enable Registers (A028h, A029h, A02Ah, A02Bh, A02Ch)**

14 All the CFP registers in this group are the enable registers for Module Alarm/Status
15 Register group (A01Dh, A01Eh, A01Fh, A020h). These CFP registers allow host to enable
16 or disable any particular FAWS bits to contribute to GLB_ALARM. Optional features and
17 not-supported functions will have their corresponding Enable bit(s) set to 0 by the CFP
18 during the Initialize state.

19 **5.5.8 Module Analog A/D Value Registers (A02Fh, A030h, A031h, A032h, A033h)**

20 Three analog quantities, Module Temperature Monitor A/D Value, Module Power Supply
21 3.3 V Monitor A/D Value, and SOA Bias Current A/D Value, are supported by this group of
22 registers. These monitoring quantities are at module level and non-network lane specific.
23 Two additional auxiliary monitoring quantities are specified future use.

24
25 The values in these and all other A/D registers are automatically updated with maximum
26 period of 100 ms for single network lane applications. If the number of network lane is
27 greater than 1, the maximum update period shall be $50 * (N + 1)$ ms, where N denotes the
28 number of network lanes supported in the application.

29 **5.5.9 Module PRBS Registers (A038h, A039h)**

30 These are Network Lane PRBS Data Bit Count and Host Lane PRBS Data Bit Count
31 registers. For their use reference 4.9 Bit Error Rate Calculation and the register
32 descriptions.

33

34

Table 23 CFP Module VR 1

CFP Module VR 1						
Hex Addr.	Size	Access Type	Bit	Register Name Bit Field Name	Description	Init Value
Module Command/Setup Registers						

CFP Module VR 1						
Hex Addr.	Size	Access Type	Bit	Register Name Bit Field Name	Description	Init Value
A000	2	RO	15~0	Reserved	Vendor/User optional use, not specified by MSA.	0000h 0000h
A002	2	RO	15~0	Reserved	Vendor/User optional use, not specified by MSA.	0000h 0000h
A004	1			NVR Access Control	User NVRs Restore/Save command. Refer to 4.10.2 for details.	0000h
		RW	15~9	Reserved	Vendor specific.	0
		RO	8~6	Reserved		000b
		RW	5	User Restore and Save Command	0: Restore the User NVR section, 1: Save the User NVR section.	0
		RO	4	Reserved		0
		RO	3~2	Command Status	00b: Idle, 01b: Command completed successfully, 10b: Command in progress, 11b: Command failed.	00b
		RW	1~0	Extended Commands	00b: No effect, 01b: Vendor Specific, 10b: Vendor Specific, 11b: Restore/Save the User NVRs.	00b
A005	1			PRG_CNTL3 Function Select	Selects, and assigns, a control function to PRG_CNTL3.	0000h
		RO	15~8	Reserved		00h
		RW	7~0	Function Select Code	This multi-function input is used as HW_IL_MSB during the Initialize State and it can be programmed to other functions afterward. 0: No effect, 1: Assign TRXIC_RSTn function to hardware pins PRG_CNTL3. When so assigned this pin uses the active low logic, that is, 0 = Assert (Reset). Note that when so assigned, its soft counterpart Soft PRG_CNTL3 Control (A010h.12) uses an active high logic, that is, 1 = Assert (Reset). 2~255: Reserved.	00h
A006	1			PRG_CNTL2 Function Select	Selects, and assigns, a control function to PRG_CNTL2.	0000h
		RO	15~8	Reserved		00h
		RW	7~0	Function Select Code	This multi-function input is used as HW_IL_LSB during the Initialize State and it can be programmed to other functions afterward. 0: No effect, 1: Assign TRXIC_RSTn function to hardware pins PRG_CNTL2. When so assigned this pin uses the active low logic, that is, 0 = Assert (Reset). Note that when so assigned, its soft counterpart Soft PRG_CNTL2 Control (A010h.11) uses an active high logic, that is, 1 = Assert (Reset). 2~255: Reserved.	00h
A007	1			PRG_CNTL1 Function Select	Selects, and assigns, a control function to PRG_CNTL1.	0001h
		RO	15~8	Reserved		00h
		RW	7~0	Function Select Code	0: No effect, 1: Assign TRXIC_RSTn function to hardware pins PRG_CNTL1. When so assigned this pin uses the active low logic, that is, 0 = Assert (Reset). Note that when so assigned, its soft counterpart Soft PRG_CNTL1 Control (A010h.10) uses an active high logic, that is, 1 = Assert (Reset). TRXIC_RSTn is the CFP MSA default function for PRG_CNTL1. 2~255: Reserved.	01h
A008	1			PRG_ALRM3 Source	Selects, and assigns, an alarm source for PRG_ALRM3.	0003h

CFP Module VR 1						
Hex Addr.	Size	Access Type	Bit	Register Name Bit Field Name	Description	Init Value
				Select		
		RO	15~8	Reserved		00h
		RW	7~0	Alarm Source Code	0: Not active, always de-asserted, 1: HIPWR_ON, 2: Ready State, 3: Fault State, MSA default setting, 4: RX_ALARM = RX_LOS + RX_NETWORK_LOL, 5: TX_ALARM = TX_LOSF + TX_HOST_LOL + TX_CMU_LOL, 6: RX_NETWORK_LOL, 7: TX_LOSF, 8: TX_HOST_LOL, 9: OOA, Out of alignment, (Only applicable to certain products. If not implemented in the module, Writing 9 to this register has no effect and shall be read as 0. This is also true for Registers A009h and A00Ah). 10~255: Reserved.	03h
A009	1			PRG_ALARM2 Source Select	Selects, and assigns, an alarm source for PRG_ALARM2.	0002h
		RO	15~8	Reserved		00h
		RW	7~0	Alarm Source Code	0: Not active, always de-asserted, 1: HIPWR_ON, 2: Ready State, MSA default setting, 3: Fault State, 4: RX_ALARM = RX_LOS + RX_NETWORK_LOL, 5: TX_ALARM = TX_LOSF + TX_HOST_LOL + TX_CMU_LOL, 6: RX_NETWORK_LOL, 7: TX_LOSF, 8: TX_HOST_LOL, 9: OOA, Out of alignment, refer to description of A008h for details, 10~255: Reserved.	02h
A00A	1			PRG_ALARM1 Source Select	Selects, and assigns, an alarm source for PRG_ALARM1.	0001h
		RO	15~8	Reserved		00h
		RW	7~0	Alarm Source Code	0: Not active, always de-asserted, 1: HIPWR_ON, MSA default setting, 2: Ready State, 3: Fault State, 4: RX_ALARM = RX_LOS + RX_NETWORK_LOL, 5: TX_ALARM = TX_LOSF + TX_HOST_LOL + TX_CMU_LOL, 6: RX_NETWORK_LOL, 7: TX_LOSF, 8: TX_HOST_LOL, 9: OOA, Out of alignment, refer to description of A008h for details, 10~255: Reserved.	01h
A00B	1			Module Bi-/Uni-Directional Operating Mode Select		0000h
		RO	15~3	Reserved		0
		RW	2~0	Module Bi/uni-direction mode Select	000b: Normal bi-directional mode, 001b: Uni-direction TX only mode (optional), 010b: Uni-direction RX only mode (optional), 011b: Special bi-directional mode (optional), 100b~111b: Reserved.	000b
A00C	4	RO		Reserved		0000h
Module Control Registers						

CFP Module VR 1						
Hex Addr.	Size	Access Type	Bit	Register Name Bit Field Name	Description	Init Value
A010	1			Module General Control		0000h
		RW/SC/LH	15	Soft Module Reset	Register bit for module reset function. Writing a 0 to this bit has no effect regardless it was 0 or 1 previously. 1: Module reset assert.	0
		RW	14	Soft Module Low Power	Register bit for module low power function. 1: Assert.	0
		RW	13	Soft TX Disable	Register bit for TX Disable function. 1: Assert.	0
		RW	12	Soft PRG_CNTL3 Control	Register bit for PRG_CNTL3 control function. 1: Assert.	0
		RW	11	Soft PRG_CNTL2 Control	Register bit for PRG_CNTL2 control function. 1: Assert.	0
		RW	10	Soft PRG_CNTL1 Control	Register bit for PRG_CNTL1 control function. 1: Assert.	0
		RW	9	Soft GLB_ALRM Test	Command bit for software forced test signal. When this bit is asserted it generates GLB_ALRM signal. 1: Assert.	0
		RO	8~6	Reserved		0
		RO	5	TX_DIS Pin State	Logical state of the TX_DIS pin. 1: Assert.	0
		RO	4	MOD_LOPWR Pin State	Logical state of the MOD_LOPWR pin. 1: Assert.	0
		RO	3	PRG_CNTL3 Pin State	Logical state of the PRG_CNTL3 pin. 1: Assert.	0
		RO	2	PRG_CNTL2 Pin State	Logical state of the PRG_CNTL2 pin. 1: Assert.	0
		RO	1	PRG_CNTL1 Pin State	Logical state of the PRG_CNTL1 pin. 1: Assert.	0
		RO	0	Reserved		0
A011	1			Network Lane TX Control	This control acts upon all the network lanes.	0200h
		RO	15	Reserved		0
		RW	14	TX PRBS Generator Enable	0: Normal operation, 1: PRBS mode. (Optional)	0
		RW	13~12	TX PRBS Pattern	00b:2^7, 01b:2^15, 10b:2^23, 11b:2^31.	00b
		RW	11	TX De-skew Enable	0:Normal, 1:Disable	0
		RW	10	TX FIFO Reset	This bit affects both host and network side TX FIFOs. 0: Normal operation, 1: Reset (Optional).	0
		RW	9	TX FIFO Auto Reset	This bit affects both host and network side TX FIFOs. 0: Not Auto Reset, 1: Auto Reset. (Optional).	1
		RW	8	TX Reset	0: Normal operation, 1: Reset. Definition and implementation are vendor specific.	0
		RW	7~5	TX MCLK Control	000b: Disabled, 001b: Reserved, 010b: 1/8 of network lane rate, 011b: Reserved, 100b: 1/64 of network lane rate, 101b: 1/64 of host lane rate, 110b: 1/16 of network lane rate, 111b: 1/16 of host lane rate.	000b
		RO	4	Reserved		0b
RW	3~1	TX Rate Select (10G lane rate)	000b: GbE=10.31, 001b:SDH=9.95, 010b:OTU3=10.7, 011b:OTU4=11.2,	000b		

CFP Module VR 1						
Hex Addr.	Size	Access Type	Bit	Register Name Bit Field Name	Description	Init Value
					100b:OTU3e1=11.14 101b OTU3e2=11.15 110b~111b: Reserved.	
		RW	0	TX Reference CLK Rate Select	0: 1/16, 1: 1/64.	1b
A012	1			Network Lane RX Control	This control acts upon all the network lanes.	0200h
		RW	15	Active Decision Voltage and Phase function	This bit activates the active decision voltage and phase function in the module. 0: not active, 1: active. (Optional)	0b
		RW	14	RX PRBS Checker Enable	0: Normal operation, 1: PRBS mode. (Optional)	0b
		RW	13~12	RX PRBS Pattern	00b: 2 ⁷ , 01b: 2 ¹⁵ , 10b: 2 ²³ , 11b: 2 ³¹ .	00b
		RW	11	RX Lock RX_MCLK to Reference CLK	0: Normal operation, 1: Lock RX_MCLK to REFCLK.	0b
		RW	10	Network Lane Loop-back	0: Normal operation, 1: Network lane loop-back. (Optional)	0b
		RW	9	RX FIFO Auto Reset	0: Not auto reset, 1: Auto reset. (Optional).	1b
		RW	8	RX Reset	0: Normal operation, 1: Reset. Definition and implementation are vendor specific.	0b
		RW	7~5	RX MCLK Control	000b: Disabled, 001b: Reserved, 010b: 1/8 of network lane rate, 011b: Reserved, 100b: 1/64 of network lane rate, 101b: 1/64 of host lane rate, 110b: 1/16 of network lane rate, 111b: 1/16 of host lane rate.	000b
		RW	4	RX FIFO Reset	0: Normal, 1: Reset. (Optional).	0b
RW	3~1	RX Rate Select	000b: GbE=10.31, 001b:SDH=9.95, 010b:OTU3=10.7, 011b:OTU4=11.2, 100b:OTU3e1=11.14 101b OTU3e2=11.15 110b~111b: Reserved.	000b		
		RW	0	RX Reference CLK Rate Select	0: 1/16, 1: 1/64.	1b
A013	1	RW		Individual Network Lane TX_DIS Control	This register acts upon individual network lanes. Note that toggling individual network lane TX disable bit does not change module state.	0000h
			15	Lane 15 Disable	0: Normal, 1: Disable.	0
			14	Lane 14 Disable	0: Normal, 1: Disable.	0
			13	Lane 13 Disable	0: Normal, 1: Disable.	0
			12	Lane 12 Disable	0: Normal, 1: Disable.	0
			11	Lane 11 Disable	0: Normal, 1: Disable.	0
			10	Lane 10 Disable	0: Normal, 1: Disable.	0
			9	Lane 9 Disable	0: Normal, 1: Disable.	0
			8	Lane 8 Disable	0: Normal, 1: Disable.	0
			7	Lane 7 Disable	0: Normal, 1: Disable.	0
			6	Lane 6 Disable	0: Normal, 1: Disable.	0
			5	Lane 5 Disable	0: Normal, 1: Disable.	0
			4	Lane 4 Disable	0: Normal, 1: Disable.	0
			3	Lane 3 Disable	0: Normal, 1: Disable.	0
2	Lane 2 Disable	0: Normal, 1: Disable.	0			
1	Lane 1 Disable	0: Normal, 1: Disable.	0			

CFP Module VR 1						
Hex Addr.	Size	Access Type	Bit	Register Name Bit Field Name	Description	Init Value
			0	Lane 0 Disable	0: Normal, 1: Disable.	0
A014	1			Host Lane Control	This control acts upon all the host lanes.	0000h
		RO	15	Reserved		0
		RW	14	TX PRBS Checker Enable	0: Normal operation, 1: PRBS mode. (Optional)	0
		RW	13	TX PRBS Pattern 1	00:2^7, 01:2^15, 10:2^23, 11:2^31.	00b
		RW	12	TX PRBS Pattern 0		
		RO	11	Reserved		0
		RW	10	Host Lane Loop-back Enable	0: Normal operation, 1: Host lane loop-back. (Optional)	0
		RO	9	Reserved		0
		RO	8	Reserved		0
		RW	7	RX PRBS Generator Enable	0: Normal operation, 1: PRBS mode. (Optional)	0
		RW	6	RX PRBS Pattern 1	00b: 2^7, 01b: 2^15, 10b: 2^23, 11b: 2^31.	00b
		RW	5	RX PRBS Pattern 0		
RO	4~0	Reserved		0h		
A015	1	RO		Reserved		0000h
Module State Register						
A016	1	RO		Module State	CFP module state. Only a single bit set at any time.	0000h
			15~9	Reserved		0
			8	High-Power-down State	1: Corresponding state is active. Word value = 0100h.	0
			7	TX-Turn-off State	1: Corresponding state is active. Word value = 0080h.	0
			6	Fault State	1: Corresponding state is active. Word value = 0040h. (Also referred to as MOD_FAULT)	0
			5	Ready State	1: Corresponding state is active. Word value = 0020h. (Also referred to as MOD_READY)	0
			4	TX-Turn-on State	1: Corresponding state is active. Word value = 0010h.	0
			3	TX-Off State	1: Corresponding state is active. Word value = 0008h.	0
			2	High-Power-up State	1: Corresponding state is active. Word value = 0004h.	0
			1	Low-Power State	1: Corresponding state is active. Word value = 0002h.	0
0	Initialize State	1: Corresponding state is active. Word value = 0001h.	0			
Module Alarm Summary Registers						
A017	1	RO		Reserved		0000h
A018	1	RO		Global Alarm Summary		
			15	GLB_ALRM Assertion Status	Internal status of global alarm output. 1: Asserted.	0
			14	Host Lane Fault and Status Summary	Logical OR of all the enabled bits of Host Lane Fault and Status Summary register.	0
			13	Network Lane Fault and Status Summary	Logical OR of all the bits in the Network Lane Fault and Status Summary register.	0
			12	Network Lane Alarm and Warning Summary	Logical OR of all the bits in the Network Lane Alarm and Warning Summary register.	0
			11	Module Alarm and Warning 2 Summary	Logical OR of all the enabled bits of Module Alarms and Warnings 2 Latch register.	0
			10	Module Alarm and Warning 1 Summary	Logical OR of all the enabled bits of Module Alarms and Warnings 1 Latch register.	0
			9	Module Fault Summary	Logical OR of all the enabled bits of Module Fault Status Latch register.	0
			8	Module General Status Summary	Logical OR of all the enabled bits of Module General Status Latch register.	0
			7	Module State Summary	Logical OR of all the enabled bits of Module State Latch register.	0
	6~1	Reserved		0		
			0	Soft GLB_ALRM Test Status	Soft GLB_ALRM Test bit Status.	0
A019	1	RO		Network Lane Alarm and Warning Summary	Each bit is the logical OR of all enabled bits in each of Network Lane Alarm and Warning Latch registers.	0000h

CFP Module VR 1						
Hex Addr.	Size	Access Type	Bit	Register Name Bit Field Name	Description	Init Value
			15	Lane 15 Alarm and Warning Summary	Logical OR of all enabled bits in Latched Lane 15 Network Lane Alarm and Warning Register. 1=Fault asserted.	0
			14	Lane 14 Alarm and Warning Summary	Logical OR of all enabled bits in Latched Lane 14 Network Lane Alarm and Warning Register. 1=Fault asserted.	0
			13	Lane 13 Alarm and Warning Summary	Logical OR of all enabled bits in Latched Lane 13 Network Lane Alarm and Warning Register. 1=Fault asserted.	0
			12	Lane 12 Alarm and Warning Summary	Logical OR of all enabled bits in Latched Lane 12 Network Lane Alarm and Warning Register. 1=Fault asserted.	0
			11	Lane 11 Alarm and Warning Summary	Logical OR of all enabled bits in Latched Lane 11 Network Lane Alarm and Warning Register. 1=Fault asserted.	0
			10	Lane 10 Alarm and Warning Summary	Logical OR of all enabled bits in Latched Lane 10 Network Lane Alarm and Warning Register. 1=Fault asserted.	0
			9	Lane 9 Alarm and Warning Summary	Logical OR of all enabled bits in Latched Lane 9 Network Lane Alarm and Warning Register. 1=Fault asserted.	0
			8	Lane 8 Alarm and Warning Summary	Logical OR of all enabled bits in Latched Lane 8 Network Lane Alarm and Warning Register. 1=Fault asserted.	0
			7	Lane 7 Alarm and Warning Summary	Logical OR of all enabled bits in Latched Lane 7 Network Lane Alarm and Warning Register. 1=Fault asserted.	0
			6	Lane 6 Alarm and Warning Summary	Logical OR of all enabled bits in Latched Lane 6 Network Lane Alarm and Warning Register. 1=Fault asserted.	0
			5	Lane 5 Alarm and Warning Summary	Logical OR of all enabled bits in Latched Lane 5 Network Lane Alarm and Warning Register. 1=Fault asserted.	0
			4	Lane 4 Alarm and Warning Summary	Logical OR of all enabled bits in Latched Lane 4 Network Lane Alarm and Warning Register. 1=Fault asserted.	0
			3	Lane 3 Alarm and Warning Summary	Logical OR of all enabled bits in Latched Lane 3 Network Lane Alarm and Warning Register. 1=Fault asserted.	0
			2	Lane 2 Alarm and Warning Summary	Logical OR of all enabled bits in Latched Lane 2 Network Lane Alarm and Warning Register. 1=Fault asserted.	0
			1	Lane 1 Alarm and Warning Summary	Logical OR of all enabled bits in Latched Lane 1 Network Lane Alarm and Warning Register. 1=Fault asserted.	0
			0	Lane 0 Alarm and Warning Summary	Logical OR of all enabled bits in Latched Lane 0 Network Lane Alarm and Warning Register. 1=Fault asserted.	0
A01A	1	RO		Network Lane Fault and Status Summary	Each bit is the logical OR of all enabled bits in each of the Network Lane fault and Status Latch registers.	0000h
			15	Lane 15 Fault and Status Summary	Logical OR of all enabled bits in Latched Lane 15 Network Lane Fault and Status Register. 1=Fault asserted.	0
			14	Lane 14 Fault and Status Summary	Logical OR of all enabled bits in Latched Lane 14 Network Lane Fault and Status Register. 1=Fault asserted.	0
			13	Lane 13 Fault and Status Summary	Logical OR of all enabled bits in Latched Lane 13 Network Lane Fault and Status Register. 1=Fault asserted.	0
			12	Lane 12 Fault and Status Summary	Logical OR of all enabled bits in Latched Lane 12 Network Lane Fault and Status Register. 1=Fault asserted.	0
			11	Lane 11 Fault and Status Summary	Logical OR of all enabled bits in Latched Lane 11 Network Lane Fault and Status Register. 1=Fault asserted.	0
			10	Lane 10 Fault and Status Summary	Logical OR of all enabled bits in Latched Lane 10 Network Lane Fault and Status Register. 1=Fault asserted.	0
			9	Lane 9 Fault and Status Summary	Logical OR of all enabled bits in Latched Lane 9 Network Lane Fault and Status Register. 1=Fault asserted.	0
			8	Lane 8 Fault and Status Summary	Logical OR of all enabled bits in Latched Lane 8 Network Lane Fault and Status Register. 1=Fault asserted.	0
			7	Lane 7 Fault and Status Summary	Logical OR of all enabled bits in Latched Lane 7 Network Lane Fault and Status Register. 1=Fault asserted.	0
			6	Lane 6 Fault and Status Summary	Logical OR of all enabled bits in Latched Lane 6 Network Lane Fault and Status Register. 1=Fault asserted.	0
			5	Lane 5 Fault and Status Summary	Logical OR of all enabled bits in Latched Lane 5 Network Lane Fault and Status Register. 1=Fault asserted.	0
			4	Lane 4 Fault and Status Summary	Logical OR of all enabled bits in Latched Lane 4 Network Lane Fault and Status Register. 1=Fault asserted.	0

CFP Module VR 1						
Hex Addr.	Size	Access Type	Bit	Register Name Bit Field Name	Description	Init Value
			3	Lane 3 Fault and Status Summary	Logical OR of all enabled bits in Latched Lane 3 Network Lane Fault and Status Register. 1=Fault asserted.	0
			2	Lane 2 Fault and Status Summary	Logical OR of all enabled bits in Latched Lane 2 Network Lane Fault and Status Register. 1=Fault asserted.	0
			1	Lane 1 Fault and Status Summary	Logical OR of all enabled bits in Latched Lane 1 Network Lane Fault and Status Register. 1=Fault asserted.	0
			0	Lane 0 Fault and Status Summary	Logical OR of all enabled bits in Latched Lane 0 Network Lane Fault and Status Register. 1=Fault asserted.	0
A01B	1	RO		Host Lane Fault and Status Summary	Each bit is the logical OR of all enabled bits in each of the Host Lane fault and Status Latch registers	0000h
			15	Lane 15 Fault and Status Summary	Logical OR of all enabled bits in Latched Lane 15 Host Lane Fault and Status Register. 1=Fault asserted.	0
			14	Lane 14 Fault and Status Summary	Logical OR of all enabled bits in Latched Lane 14 Host Lane Fault and Status Register. 1=Fault asserted.	0
			13	Lane 13 Fault and Status Summary	Logical OR of all enabled bits in Latched Lane 13 Host Lane Fault and Status Register. 1=Fault asserted.	0
			12	Lane 12 Fault and Status Summary	Logical OR of all enabled bits in Latched Lane 12 Host Lane Fault and Status Register. 1=Fault asserted.	0
			11	Lane 11 Fault and Status Summary	Logical OR of all enabled bits in Latched Lane 11 Host Lane Fault and Status Register. 1=Fault asserted.	0
			10	Lane 10 Fault and Status Summary	Logical OR of all enabled bits in Latched Lane 10 Host Lane Fault and Status Register. 1=Fault asserted.	0
			9	Lane 9 Fault and Status Summary	Logical OR of all enabled bits in Latched Lane 9 Host Lane Fault and Status Register. 1=Fault asserted.	0
			8	Lane 8 Fault and Status Summary	Logical OR of all enabled bits in Latched Lane 8 Host Lane Fault and Status Register. 1=Fault asserted.	0
			7	Lane 7 Fault and Status Summary	Logical OR of all enabled bits in Latched Lane 7 Host Lane Fault and Status Register. 1=Fault asserted.	0
			6	Lane 6 Fault and Status Summary	Logical OR of all enabled bits in Latched Lane 6 Host Lane Fault and Status Register. 1=Fault asserted.	0
			5	Lane 5 Fault and Status Summary	Logical OR of all enabled bits in Latched Lane 5 Host Lane Fault and Status Register. 1=Fault asserted.	0
			4	Lane 4 Fault and Status Summary	Logical OR of all enabled bits in Latched Lane 4 Host Lane Fault and Status Register. 1=Fault asserted.	0
			3	Lane 3 Fault and Status Summary	Logical OR of all enabled bits in Latched Lane 3 Host Lane Fault and Status Register. 1=Fault asserted.	0
			2	Lane 2 Fault and Status Summary	Logical OR of all enabled bits in Latched Lane 2 Host Lane Fault and Status Register. 1=Fault asserted.	0
			1	Lane 1 Fault and Status Summary	Logical OR of all enabled bits in Latched Lane 1 Host Lane Fault and Status Register. 1=Fault asserted.	0
			0	Lane 0 Fault and Status Summary	Logical OR of all enabled bits in Latched Lane 0 Network Lane Fault and Status Register. 1=Fault asserted.	0
A01C	1	RO		Reserved		0
Module FAWS Registers						
A01D	1	RO		Module General Status		0000h
			15	Reserved		0
			14	Reserved		0
			13	HW_Interlock	Module internally generated status signal. (FAWS_TYPE_A) 0: If module power <= Host cooling capacity or if hardware Interlock is not used, 1: If module power > Host cooling capacity.	0
			12~11	Reserved		0
			10	Loss of REFCLK Input	Loss of reference clock input. It is an optional feature. (FAWS_TYPE_B). 0: Normal, 1: Loss of signal.	0
			9	TX_JITTER_PLL_LOL	TX jitter PLL loss of lock. It is an optional feature. (FAWS_TYPE_B).	0

CFP Module VR 1						
Hex Addr.	Size	Access Type	Bit	Register Name Bit Field Name	Description	Init Value
					0: Normal, 1: Loss of lock.	
			8	TX_CMU_LOL	TX CMU loss of lock. It is the loss of lock indicator on the network side of the CMU. It is an optional feature. (FAWS_TYPE_B). 0: Normal, 1: Loss of lock.	0
			7	TX_LOSF	Transmitter Loss of Signal Functionality. Logic OR of all of Network Lanes TX_LOSF bits. PRG_ALRMx mappable. (FAWS_TYPE_C, since the TX must be enabled). Note: The corresponding latch register is set to 1 on any change (0-->1 or 1 --> 0) of this status signal. 0: all transmitter signals functional, 1: any transmitter signal not functional.	0
			6	TX_HOST_LOL	TX IC Lock Indicator. Logic OR of all host lane TX_LOL bits. PRG_ALRMx mappable. (FAWS_TYPE_B). Note: The corresponding latch register is set to 1 on any change (0-->1 or 1 --> 0) of this status signal. 0: Locked, 1: Loss of lock.	0
			5	RX_LOS	Receiver Loss of Signal. Logic OR of all of network lane RX_LOS bits. (FAWS_TYPE_B). Note: The corresponding latch register is set to 1 on any change (0-->1 or 1 --> 0) of this status signal. 0: No network lane RX_LOS bit asserted, 1: Any network lane RX_LOS bit asserted.	0
			4	RX_NETWORK_LOL	RX IC Lock Indicator. Logic OR of all network lane RX_LOL bits. PRG_ALRMx mappable. (FAWS_TYPE_B). Note: The corresponding latch register is set to 1 on any change (0-->1 or 1 --> 0) of this status signal. 0: Locked, 1: Loss of lock.	0
			3	Out of Alignment	Host lane skew out of alignment indicator. Applicable only for some internal implementations. (FAWS_TYPE_B). 0: Normal, 1: Out of alignment.	0
			2	Reserved		0
			1	HIPWR_ON	Status bit representing the condition of module in high power status. FAWS Type is not applicable. 0: Module is not in high power on status, 1: Module is in high powered on status.	0
			0	Reserved		0
A01E	1	RO		Module Fault Status	Module Fault Status bit pattern. Only fatal faults that are potentially harmful to the module can trigger the bits here. All the bits are 0: Normal; 1: fault detected. When any bit in this register is a '1', The Module State register will also be set to the Fault State.	0000h
			15	Reserved	Reserved for extension of "other faults" in case of all the bits used up in this register.	0
			14~7	Reserved		0
			6	PLD or Flash Initialization Fault	PLD, CPLD, or FPGA initialization fault. (FAWS_TYPE_A)	0
			5	Power Supply Fault	1: Power supply is out of range. (FAWS_TYPE_A)	0
			4~2	Reserved		000b
			1	CFP Checksum Fault	1: CFP Checksum failed. (FAWS_TYPE_A)	0
			0	Reserved		0
A01F	1	RO		Module Alarms and Warnings 1		0000h
			15~12	Reserved		0000b
			11	Mod Temp High Alarm	Mod temp high Alarm. (FAWS_TYPE_A)	0

CFP Module VR 1						
Hex Addr.	Size	Access Type	Bit	Register Name Bit Field Name	Description	Init Value
					0: Normal, 1: Asserted.	
			10	Mod Temp High Warning	Mod temp high Warning. (FAWS_TYPE_A) 0: Normal, 1: Asserted.	0
			9	Mod Temp Low Warning	Mod temp low Warning. (FAWS_TYPE_A) 0: Normal, 1: Asserted.	0
			8	Mod Temp Low Alarm	Mod temp low Alarm. (FAWS_TYPE_A) 0: Normal, 1: Asserted.	0
			7	Mod Vcc High Alarm	Input Vcc high Alarm. (FAWS_TYPE_A) 0: Normal, 1: Asserted.	0
			6	Mod Vcc High Warning	Input Vcc high Warning. (FAWS_TYPE_A) 0: Normal, 1: Asserted.	0
			5	Mod Vcc Low Warning	Input Vcc low Warning. (FAWS_TYPE_A) 0: Normal, 1: Asserted.	0
			4	Mod Vcc Low Alarm	Input Vcc low Alarm. (FAWS_TYPE_A) 0: Normal, 1: Asserted.	0
			3	Mod SOA Bias High Alarm	SOA bias current high alarm. (FAWS_TYPE_B) 0: Normal, 1: Asserted.	0
			2	Mod SOA Bias High Warning	SOA bias current high warning. (FAWS_TYPE_B) 0: Normal, 1: Asserted.	0
			1	Mod SOA Bias Low Warning	SOA bias current low warning. (FAWS_TYPE_B) 0: Normal, 1: Asserted.	0
			0	Mod SOA Bias Low Alarm	SOA bias current low alarm. (FAWS_TYPE_B) 0: Normal, 1: Asserted.	0
A020	1	RO		Module Alarms and Warnings 2		0000h
			15~8	Reserved		0
			7	Mod Aux 1 High Alarm	Module aux ch 1 high alarm. (FAWS Type is vendor TBD) 0: Normal, 1: Asserted..	0
			6	Mod Aux 1 High Warning	Module aux ch 1 high warning. (FAWS Type is vendor TBD) 0: Normal, 1: Asserted.	0
			5	Mod Aux 1 Low Warning	Module aux ch 1 low warning. (FAWS Type is vendor TBD) 0: Normal, 1: Asserted.	0
			4	Mod Aux 1 Low Alarm	Module aux ch 1 low alarm. (FAWS Type is vendor TBD) 0: Normal, 1: Asserted.	0
			3	Mod Aux 2 High Alarm	Module aux ch 2 high alarm. (FAWS Type is vendor TBD) 0: Normal, 1: Asserted.	0
			2	Mod Aux 2 High Warning	Module aux ch 2 high warning. (FAWS Type is vendor TBD) 0: Normal, 1: Asserted.	0
			1	Mod Aux 2 Low Warning	Module aux ch 2 low warning. (FAWS Type is vendor TBD) 0: Normal, 1: Asserted.	0
			0	Mod Aux 2 Low Alarm	Module aux ch 2 low alarm. (FAWS Type is vendor TBD) 0: Normal, 1: Asserted.	0
A021	1	RO		Reserved		0
Module FAWS Latch Registers						
A022	1			Module State Latch	CFP module state Latch.	0000h
		RO	15~9	Reserved		0
		RO/LH/COR	8	High-Power-down State Latch	1: Latched.	0
		RO/LH/COR	7	TX-Turn-off State Latch	1: Latched.	0
		RO/LH/COR	6	Fault State Latch	1: Latched.	0
		RO/LH/COR	5	Ready State Latch	1: Latched.	0
		RO/LH/COR	4	TX-Turn-on State Latch	1: Latched.	0
		RO/LH/COR	3	TX-Off State Latch	1: Latched.	0
		RO/LH/COR	2	High-Power-up State Latch	1: Latched.	0
		RO/LH/COR	1	Low-Power State Latch	1: Latched.	0
		RO/LH/COR	0	Initialize State Latch	1: Latched.	0

CFP Module VR 1						
Hex Addr.	Size	Access Type	Bit	Register Name Bit Field Name	Description	Init Value
A023	1			Module General Status Latch		0000h
		RO	15	Reserved		0
		RO	14	Reserved		0
		RO/LH/COR	13	HW_Interlock Latch	1: Latched.	0
		RO	12~11	Reserved		0
		RO/LH/COR	10	Loss of REFCLK Input Latch	1: Latched.	0
		RO/LH/COR	9	TX_JITTER_PLL_LOL Latch	1: Latched.	0
		RO/LH/COR	8	TX_CMU_LOL Latch	1: Latched.	0
		RO/LH/COR	7	TX_LOSF Latch	1: Latched. Note: Set to 1 on any change (0-->1 or 1 --> 0) of the corresponding status signal.	0
		RO/LH/COR	6	TX_HOST_LOL Latch	1: Latched. Note: Set to 1 on any change (0-->1 or 1 --> 0) of the corresponding status signal.	0
		RO/LH/COR	5	RX_LOS Latch	1: Latched. Note: Set to 1 on any change (0-->1 or 1 --> 0) of the corresponding status signal.	0
		RO/LH/COR	4	RX_NETWORK_LOL Latch	1: Latched. Note: Set to 1 on any change (0-->1 or 1 --> 0) of the corresponding status signal.	0
		RO/LH/COR	3	Out of Alignment Latch	1: Latched.	0
		RO	2~0	Reserved		000b
A024	1			Module Fault Status Latch	Module Fault Status latched bit pattern.	0000h
		RO	15~7	Reserved		0
		RO/LH/COR	6	PLD or Flash Initialization Fault Latch	1: Latched.	0
		RO/LH/COR	5	Power Supply Fault Latch	1: Latched.	0
		RO	4~2	Reserved		000b
		RO/LH/COR	1	CFP Checksum Fault Latch	1: Latched.	0
		RO	0	Reserved		0
A025	1			Module Alarms and Warnings 1 Latch		0000h
		RO	15~12	Reserved		0000b
		RO/LH/COR	11	Mod Temp High Alarm Latch	1: Latched.	0
		RO/LH/COR	10	Mod Temp High Warning Latch	1: Latched.	0
		RO/LH/COR	9	Mod Temp Low Warning Latch	1: Latched.	0
		RO/LH/COR	8	Mod Temp Low Alarm Latch	1: Latched.	0
		RO/LH/COR	7	Mod Vcc High Alarm Latch	1: Latched.	0
		RO/LH/COR	6	Mod Vcc High Warning Latch	1: Latched.	0
		RO/LH/COR	5	Mod Vcc Low Warning Latch	1: Latched.	0
		RO/LH/COR	4	Mod Vcc Low Alarm Latch	1: Latched.	0
		RO/LH/COR	3	Mod SOA Bias High Alarm Latch	1: Latched.	0
		RO/LH/COR	2	Mod SOA Bias High	1: Latched.	0

CFP Module VR 1						
Hex Addr.	Size	Access Type	Bit	Register Name Bit Field Name	Description	Init Value
				Warning Latch		
		RO/LH/COR	1	Mod SOA Bias Low Warning Latch	1: Latched.	0
		RO/LH/COR	0	Mod SOA Bias Low Alarm Latch	1: Latched.	0
A026	1			Module Alarms and Warnings 2 Latch		0
		RO	15~8	Reserved		0
		RO/LH/COR	7	Mod Aux 1 High Alarm Latch	1: Latched.	0
		RO/LH/COR	6	Mod Aux 1 High Warning Latch	1: Latched.	0
		RO/LH/COR	5	Mod Aux 1 Low Warning Latch	1: Latched.	0
		RO/LH/COR	4	Mod Aux 1 Low Alarm Latch	1: Latched.	0
		RO/LH/COR	3	Mod Aux 2 High Alarm Latch	1: Latched.	0
		RO/LH/COR	2	Mod Aux 2 High Warning Latch	1: Latched.	0
		RO/LH/COR	1	Mod Aux 2 Low Warning Latch	1: Latched.	0
		RO/LH/COR	0	Mod Aux 2 Low Alarm Latch	1: Latched.	0
A027	1	RO		Reserved		0
Module FAWS Enable Registers						
A028	1			Module State Enable	GLB_ALRM Enable register for Module State change. One bit for each state.	006Ah
		RO	15~9	Reserved		0
		RW	8	High-Power-down State Enable	1: Enable corresponding signal to assert GLB_ALRM.	0
		RW	7	TX-Turn-off State Enable	1: Enable corresponding signal to assert GLB_ALRM.	0
		RW	6	Fault State Enable	1: Enable corresponding signal to assert GLB_ALRM. (Init Value is 1 to allow GLB_ALRM in startup sequence.)	1
		RW	5	Ready State Enable	1: Enable corresponding signal to assert GLB_ALRM. (Init Value is 1 to allow GLB_ALRM in startup sequence.)	1
		RW	4	TX-Turn-on State Enable	1: Enable corresponding signal to assert GLB_ALRM.	0
		RW	3	TX-Off State Enable	1: Enable corresponding signal to assert GLB_ALRM. (Init Value is 1 to allow GLB_ALRM in startup sequence.)	1
		RW	2	High-Power-up State Enable	1: Enable corresponding signal to assert GLB_ALRM.	0
		RW	1	Low-Power State Enable	1: Enable corresponding signal to assert GLB_ALRM. (Init Value is 1 to allow GLB_ALRM in startup sequence)	1
		RO	0	Initialize State Enable	1: Enable corresponding signal to assert GLB_ALRM.	0
A029	1			Module General Status Enable	1: Enable signal to assert GLB_ALRM. Bits 14~0 are AND'ed with corresponding bits in the Module General Status Latch register; the result is used to assert GLB_ALRM. Bit 15 is the master enable of GLB_ALRM and it is AND'ed with the output of the "OR" gate output in Global Alarm Signal Aggregation, Figure 10.	A7F8h
		RW	15	GLB_ALRM Master Enable	1: Enable.	1
		RO	14	Reserved		0
		RW	13	HW_Interlock	1: Enable.	1
		RO	12~11	Reserved		0
		RW	10	Loss of REFCLK Input Enable	1: Enable.	1
		RW	9	TX_JITTER_PLL_LOL	1: Enable.	1

CFP Module VR 1						
Hex Addr.	Size	Access Type	Bit	Register Name Bit Field Name	Description	Init Value
				Enable		
		RW	8	TX_CMU_LOL Enable	1: Enable.	1
		RW	7	TX_LOSF Enable	1: Enable.	1
		RW	6	TX_HOST_LOL Enable	1: Enable.	1
		RW	5	RX_LOS Enable	1: Enable.	1
		RW	4	RX_NETWORK_LOL Enable	1: Enable.	1
		RW	3	Out of Alignment Enable	1: Enable.	1
		RO	2~0	Reserved		000b
A02A	1			Module Fault Status Enable	These bits are AND'ed with corresponding bits in the Module Fault Latch register; the result is used to assert GLB_ALARM. Optional features that are not implemented shall have their Enable bit forced to '0'.	0062h
		RO	15~7	Reserved		0
		RW	6	PLD or Flash Initialization Fault Enable	1: Enable.	1
		RW	5	Power Supply Fault Enable	1: Enable.	1
		RO	4~2	Reserved		000b
		RW	1	CFP Checksum Fault Enable	1: Enable.	1
		RO	0	Reserved		0
A02B	1			Module Alarm and Warnings 1 Enable	These bits are AND'ed with corresponding bits in the Module Alarm and Warnings 1 Latch register; the result is used to assert GLB_ALARM. Optional features that are not implemented shall have their Enable bit forced to '0'.	0FFFh
		RO	15~12	Reserved		0000b
		RW	11	Mod Temp Hi Alarm Enable	1: Enable.	1
			10	Mod Temp Hi Warn Enable	1: Enable.	1
			9	Mod Temp Low Warning Enable	1: Enable.	1
			8	Mod Temp Low Alarm Enable	1: Enable.	1
			7	Mod Vcc High Alarm Enable	1: Enable.	1
			6	Mod Vcc High Warning Enable	1: Enable.	1
			5	Mod Vcc Low Warning Enable	1: Enable.	1
			4	Mod Vcc Low Alarm Enable	1: Enable.	1
			3	Mod SOA Bias High Alarm Enable	1: Enable.	1
			2	Mod SOA Bias High Warning Enable	1: Enable.	1
			1	Mod SOA Bias Low Warning Enable	1: Enable.	1
			0	Mod SOA Bias Low Alarm Enable	1: Enable.	1
A02C	1			Module Alarms and Warnings 2 Enable	These bits are AND'ed with corresponding bits in the Module Alarm and Warnings 2 Latch register; the result is used to assert GLB_ALARM. Optional features that are not implemented shall have their Enable bit forced to '0'.	00FFh
		RO	15~8	Reserved		00h
		RW	7	Mod Aux 1 High Alarm Enable	1: Enable.	1

CFP Module VR 1						
Hex Addr.	Size	Access Type	Bit	Register Name Bit Field Name	Description	Init Value
			6	Mod Aux 1 High Warning Enable	1: Enable.	1
			5	Mod Aux 1 Low Warning Enable	1: Enable.	1
			4	Mod Aux 1 Low Alarm Enable	1: Enable.	1
			3	Mod Aux 2 High Alarm Enable	1: Enable.	1
			2	Mod Aux 2 High Warning Enable	1: Enable.	1
			1	Mod Aux 2 Low Warning Enable	1: Enable.	1
			0	Mod Aux 2 Low Alarm Enable	1: Enable.	1
A02D	2	RO		Reserved		0000h
Module Analog A/D Value Registers						
A02F	1	RO	15~0	Module Temp Monitor A/D Value	Internally measured temperature in degrees Celsius, a 16-bit signed integer with LSB = 1/256 of a degree Celsius, representing a total range from -128 to + 127 255/256 degC. MSA valid range is between -40 and +125C. Accuracy shall be better than +/- 3 degC over the whole temperature range.	0000h
A030	1	RO	15~0	Module Power supply 3.3 V Monitor A/D Value	Internally measured transceiver supply voltage, a 16-bit unsigned integer with LSB = 0.1 mV, yielding a total measurement range of 0 to 6.5535 Volts. Accuracy shall be better than +/-3% of the nominal value over specified operating temperature and voltage range.	0000h
A031	1	RO	15~0	SOA Bias Current A/D Value	Measured SOA bias current in uA, a 16-bit unsigned integer with LSB = 2 uA, representing a total range of from 0 to 131.072 mA. Accuracy shall be better than +/-10% of the nominal value over specified temperature and voltage.	0000h
A032	1	RO	15~0	Module Auxiliary 1 Monitor A/D Value	Definition depending upon the designated use.	0000h
A033	1	RO	15~0	Module Auxiliary 2 Monitor A/D Value	Definition depending upon the designated use.	0000h
A034	4	RO		Reserved		
Module PRBS Registers						
A038	1	RO		Network Lane PRBS Data Bit Count	Network lane data bit counter increments when network lane RX PRBS Checker is enabled. It stops counting when RX PRBS Checker is disabled. It uses an ad-hoc format floating point number with 6-bit unsigned exponent and 10-bit unsigned mantissa.	0000h
			15~10	Exponent	6-bit unsigned exponent.	0
			9~0	Mantissa	10-bit mantissa giving better than 0.1% accuracy in bit counts.	0
A039	1	RO		Host Lane PRBS Data Bit Count	Host lane data bit counter increments when host side TX PRBS Checker is enabled. It stops counting when TX PRBS Checker is disabled. It uses an ad-hoc format floating point number with 6-bit unsigned exponent and 10-bit unsigned mantissa.	0000h
			15~10	Exponent	6-bit unsigned exponent	0
			9~0	Mantissa	10-bit mantissa giving better than 0.1% accuracy in bit counts.	0
A03A	70	RO		Reserved		0

1 **5.6 Network Lane Specific Register Tables**

2 Table 24 Network Lane VR 1 and Table 25 Network Lane VR 2 contain network lane
3 specific registers. Each register listed is the n^{th} element of a 16-register array, representing
4 the n^{th} network lane of N total network lanes. The maximum N CFP MSA specifies is 16. All
5 the register information is detailed in the description column. The registers of all the unused
6 lanes shall be set to zero initial value.

7
8

Table 24 Network Lane VR 1

Network Lane VR 1						
Hex Addr	Size	Access Type	Bit	Register Name Bit Field Name	Description	Init Value
Network Lane FAWS Registers						
A200	16	RO		Network Lane n Alarm and Warning	16 registers, one for each network lane, represent 16 network lanes. n = 0, 1, ..., N-1. N_max = 16. Actual N is module dependent.	0000h
			15	Bias High Alarm	0: Normal; 1: Asserted. (FAWS_TYPE_C)	0
			14	Bias High Warning	0: Normal; 1: Asserted. (FAWS_TYPE_C)	0
			13	Bias Low Warning	0: Normal; 1: Asserted. (FAWS_TYPE_C)	0
			12	Bias Low Alarm	0: Normal; 1: Asserted. (FAWS_TYPE_C)	0
			11	TX Power High Alarm	0: Normal; 1: Asserted. (FAWS_TYPE_C)	0
			10	TX Power High Warning	0: Normal; 1: Asserted. (FAWS_TYPE_C)	0
			9	TX Power Low Warning	0: Normal; 1: Asserted. (FAWS_TYPE_C)	0
			8	TX Power Low Alarm	0: Normal; 1: Asserted. (FAWS_TYPE_C)	0
			7	Laser Temperature High Alarm	0: Normal; 1: Asserted. (FAWS_TYPE_B)	0
			6	Laser Temperature High Warning	0: Normal; 1: Asserted. (FAWS_TYPE_B)	0
			5	Laser Temperature Low Warning	0: Normal; 1: Asserted. (FAWS_TYPE_B)	0
			4	Laser Temperature Low Alarm	0: Normal; 1: Asserted. (FAWS_TYPE_B)	0
			3	RX Power High Alarm	0: Normal; 1: Asserted. (FAWS_TYPE_B)	0
			2	RX Power High Warning	0: Normal; 1: Asserted. (FAWS_TYPE_B)	0
			1	RX Power Low Warning	0: Normal; 1: Asserted. (FAWS_TYPE_B)	0
			0	RX Power Low Alarm	0: Normal; 1: Asserted. (FAWS_TYPE_B)	0
A210	16	RO		Network Lane n Fault and Status	16 registers, one for each network lane, represent 16 network lanes. n = 0, 1, ..., N-1. N_max = 16. Actual N is module dependent.	0000h
			15	Lane TEC Fault	0: Normal; 1: Asserted. (FAWS_TYPE_B)	0
			14	Lane Wavelength Unlocked Fault	0: Normal; 1: Asserted. (FAWS_TYPE_C)	0
			13	Lane APD Power Supply Fault	0: Normal; 1: Asserted. (FAWS_TYPE_B)	0
			12~8	Reserved		0
			7	Lane TX_LOSF	0: Normal; 1: Asserted. (PMD) (FAWS_TYPE_C)	0
			6	Lane TX_LOL	0: Normal; 1: Asserted. (Network) (FAWS_TYPE_B)	0
			5	Reserved		0
			4	Lane RX_LOS	0: Normal; 1: Asserted. (FAWS_TYPE_B)	0
			3	Lane RX_LOL	0: Normal; 1: Asserted. (FAWS_TYPE_B)	0
			2	Lane RX FIFO error	0: Normal; 1: Error. (FAWS_TYPE_B)	0
			1	Reserved.		0
0	Reserved.		0			
Network Lane FAWS Latch Registers						
A220	16	RO/LH/C OR		Network Lane n Alarm and Warning Latch	16 registers, one for each network lane, represent 16 network lanes. n = 0, 1, ..., N-1. N_max = 16. Actual N is module	0000h

Network Lane VR 1						
Hex Addr	Size	Access Type	Bit	Register Name Bit Field Name	Description	Init Value
					dependent.	
			15	Bias High Alarm Latch	1: Latched.	0
			14	Bias High Warning Latch	1: Latched.	0
			13	Bias Low Warning Latch	1: Latched.	0
			12	Bias Low Alarm Latch	1: Latched.	0
			11	TX Power High Alarm Latch	1: Latched.	0
			10	TX Power High Warning Latch	1: Latched.	0
			9	TX Power Low Warning Latch	1: Latched.	0
			8	TX Power Low Alarm Latch	1: Latched.	0
			7	Laser Temperature High Alarm Latch	1: Latched.	0
			6	Laser Temperature High Warning Latch	1: Latched.	0
			5	Laser Temperature Low Warning Latch	1: Latched.	0
			4	Laser Temperature Low Alarm Latch	1: Latched.	0
			3	RX Power High Alarm Latch	1: Latched.	0
			2	RX Power High Warning Latch	1: Latched.	0
			1	RX Power Low Warning Latch	1: Latched.	0
			0	RX Power Low Alarm Latch	1: Latched.	0
A230	16			Network Lane n Fault and Status Latch	16 registers, one for each network lane, represent 16 network lanes. n = 0, 1, ..., N-1. N_max = 16. Actual N is module dependent.	0000h
		RO/LH/C OR	15	Lane TEC Fault Latch	1: Latched.	0
		RO/LH/C OR	14	Lane Wavelength Unlocked Fault Latch	1: Latched.	0
		RO/LH/C OR	13	Lane APD Power Supply Fault Latch	1: Latched.	0
		RO	12~8	Reserved		0
		RO/LH/C OR	7	Lane TX_LOSF Latch	1: Latched.	0
		RO/LH/C OR	6	Lane TX_LOL Latch	1: Latched.	0
		RO	5	Reserved		0
		RO/LH/C OR	4	Lane RX_LOS Latch	1: Latched.	0
		RO/LH/C OR	3	Lane RX_LOL Latch	1: Latched.	0
		RO/LH/C OR	2	Lane RX FIFO Status Latch	1: Latched.	0
		RO	1~0	Reserved		0
Network Lane FAWS Enable Registers						
A240	16	RW		Network Lane n Alarm and Warning Enable	16 registers, one for each network lane, represent 16 network lanes. n = 0, 1, ..., N-1. N_max = 16. Actual N is module dependent.	FFFF h
			15	Bias High Alarm Enable	0: Disable, 1: Enable.	1
			14	Bias High Warning Enable	0: Disable, 1: Enable.	1
			13	Bias Low Warning Enable	0: Disable, 1: Enable.	1
			12	Bias Low Alarm Enable	0: Disable, 1: Enable.	1
			11	TX Power High Alarm Enable	0: Disable, 1: Enable.	1
			10	TX Power High Warning Enable	0: Disable, 1: Enable.	1
			9	TX Power Low Warning Enable	0: Disable, 1: Enable.	1
			8	TX Power Low Alarm Enable	0: Disable, 1: Enable.	1
			7	Laser Temperature High Alarm	0: Disable, 1: Enable.	1

Network Lane VR 1						
Hex Addr	Size	Access Type	Bit	Register Name Bit Field Name	Description	Init Value
				Enable		
			6	Laser Temperature High Warning Enable	0: Disable, 1: Enable.	1
			5	Laser Temperature Low Warning Enable	0: Disable, 1: Enable.	1
			4	Laser Temperature Low Alarm Enable	0: Disable, 1: Enable.	1
			3	RX Power High Alarm Enable	0: Disable, 1: Enable.	1
			2	RX Power High Warning Enable	0: Disable, 1: Enable.	1
			1	RX Power Low Warning Enable	0: Disable, 1: Enable.	1
			0	RX Power Low Alarm Enable	0: Disable, 1: Enable.	1
A250	16			Network Lane n Fault and Status Enable	16 registers, one for each network lane, represent 16 network lanes. n = 0, 1, ..., N-1. N_max = 16. Actual N is module dependent.	E0D Ch
		RW	15	Lane TEC Fault Enable	0: Disable, 1: Enable.	1
		RW	14	Lane Wavelength Unlocked Fault Enable	0: Disable, 1: Enable.	1
		RW	13	Lane APD Power Supply Fault Enable	0: Disable, 1: Enable.	1
		RO	12~8	Reserved		0
		RW	7	Lane TX_LOSF Enable	0: Disable, 1: Enable.	1
		RW	6	Lane TX_LOL Enable	0: Disable, 1: Enable.	1
		RO	5	Reserved		0
		RW	4	Lane RX_LOS Enable	0: Disable, 1: Enable.	1
		RW	3	Lane RX_LOL Enable	0: Disable, 1: Enable.	1
		RW	2	Lane RX FIFO Status Enable	0: Disable, 1: Enable.	1
		RO	1~0	Reserved		0
A260	32	RO		Reserved		0000h

1

2

Table 25 Network Lane VR 2

Network Lane VR 2						
Hex Addr	Size	Access Type	Bit	Register Name Bit Field Name	Description	Init Value
Network Lane Control Registers						
A280	16			Network Lane n FEC Controls	16 registers, one for each network lane, represent 16 network lanes. n = 0, 1, ..., N-1. N_max = 16. Actual N is module dependent.	0000h
		RW	15~8	Phase Adjustment	This signed 8-bit value represents the phase set point of receive path quantization relative to 0.5 UI, given by: 0.5UI + (Phase Adjustment) / 256 UI. (Optional function) Set this value = -128 (80h) to de-activate this function.	00h
		RW	7~0	Amplitude Adjustment	This signed 8-bit value represents the amplitude threshold of relative amplitude of receive path quantization relative to 50% (Optional function), given by: 50% + (Amplitude Adjustment) / 256 * 100%. (Optional function) Set this value = -128 (80h) to de-activate this function.	00h

Network Lane VR 2						
Hex Addr	Size	Access Type	Bit	Register Name Bit Field Name	Description	Init Value
A290	16	RO	15~0	Network Lane n PRBS Rx Error Count	16 registers, one for each network lane, represent 16 network lanes. n = 0, 1, ..., N-1. N_max = 16. Actual N is module dependent. This counter increases upon detection of each network lane RX checker error when RX PRBS Checker is enabled. It uses an ad-hoc floating point number format with a 6-bit unsigned exponent and a 10-bit unsigned mantissa. Base of exponent is 2 and Mantissa radix is 0.	0000h
			15~10	Exponent	6-bit unsigned exponent.	0
			9~0	Mantissa	10-bit mantissa giving better than 0.1% accuracy in bit counts.	0
Network Lane A/D value Measurement Registers						
A2A0	16	RO	15~0	Network Lane n Laser Bias Current monitor A/D value	16 registers, one for each network lane, represent 16 network lanes. n = 0, 1, ..., N-1. N_max = 16. Actual N is module dependent. Measured laser bias current in uA, a 16-bit unsigned integer with LSB = 2 uA, representing a total measurement range of 0 to 131.072 mA. Minimum accuracy shall be +/- 10% of the nominal value over temperature and voltage.	0000h
A2B0	16	RO	15~0	Network Lane n Laser Output Power monitor A/D value	16 registers, one for each network lane, represent 16 network lanes. n = 0, 1, ..., N-1. N_max = 16. Actual N is module dependent. Measured TX output power in uW, a 16-bit unsigned integer with LSB = 0.1 uW, representing a range of laser output power from 0 to 6.5535 mW (-40 to +8.2 dBm). Accuracy must be better than +/- 2 dB over temperature and voltage range. Relative accuracy must be better than 1 dB.	0000h
A2C0	16	RO	15~0	Network Lane n Laser Temp Monitor A/D value	16 registers, one for each network lane, represent 16 network lanes. n = 0, 1, ..., N-1. N_max = 16. Actual N is module dependent. Internally measured temperature in degrees Celsius, a 16-bit signed integer with LSB = 1/256 of a degree Celsius, representing a total range from -128 to +127 255/256 degC. MSA valid range is between -40 and +125C. Minimum accuracy is +/- 3 degC over temperature range.	0000h

Network Lane VR 2						
Hex Addr	Size	Access Type	Bit	Register Name Bit Field Name	Description	Init Value
A2D0	16	RO	15-0	Network Lane n Receiver Input Power monitor A/D value	16 registers, one for each network lane, represent 16 network lanes. n = 0, 1, ..., N-1. N_max = 16. Actual N is module dependent. Measured received input power in uW, a 16-bit unsigned integer with LSB = 0.1 uW, representing a power range from 0 to 6.5535 mW (-40 to +8.2 dBm). Value can represent either average received power or OMA depending upon how bit 3 of Register 8080h is set. Accuracy must be better than +/- 2dB over temperature and voltage. This accuracy shall be maintained for input power levels up to the lesser of maximum transmitted or maximum received optical power per the appropriate standard. It shall be maintained down to the minimum transmitted power minus cable plant loss per the appropriate standard. Relative accuracy shall be better than 1 dB over the received power range, temperature range, voltage range, and the life of the product.	0000h
A2E0	32	RO	15-0	Reserved		0000h

1

2 5.7 Host lane Specific Register Table

3 Table 26 Host Lane VR 1 contains host lane specific registers. Each register listed is the
4 mth element of a 16-register array, representing the mth host lane of M total host lanes. The
5 maximum M CFP MSA specifies is 16. All the register information is detailed in the
6 description column. The registers of all the unused lanes shall be set to zero initial value.

7

8

9

Table 26 Host Lane VR 1

Host Lane VR 1						
Hex Addr	Size	Access Type	Bit	Register Name Bit Field Name	Description	Init Value
Host Lane FAWS Status Registers						
A400	16			Host Lane m Fault and Status	16 registers, one for each host lane, represent 16 host lanes. m = 0, 1, ..., M-1. M_max = 16. Actual M is module dependent.	0000h
		RO	15-2	Reserved		0
		RO	1	Lane TX FIFO Error	Lane specific TX FIFO error. (FAWS_TYPE_B) 0: Normal, 1: Error.	0
		RO	0	TX_HOST_LOL	TX IC Lock Indicator, (FAWS_TYPE_B) 0: Locked, 1: Loss of lock.	0
Host Lane FAWS Latch Registers						
A410	16			Host Lane m Fault and Status Latch	16 registers, one for each host lane, represent 16 host lanes. m = 0, 1, ..., M-1. M_max = 16. Actual M is module dependent.	0000h
		RO	15-2	Reserved		0
		RO/LH/COR	1	Lane TX FIFO Error Latch	1: Latched.	0

Host Lane VR 1						
Hex Addr	Size	Access Type	Bit	Register Name Bit Field Name	Description	Init Value
		RO/LH/COR	0	TX_HOST_LOL Latch	1: Latched.	0
Host Lane FAWS Enable Registers						
A420	16			Host Lane m Fault and Status Enable	16 registers, one for each host lane, represent 16 host lanes. m = 0, 1, ..., M-1. M_max = 16. Actual M is module dependent.	0001h
		RO	15~2	Reserved		0
		RW	1	Lane TX FIFO Error Enable	1: Enable.	0
		RW	0	TX_HOST_LOL Enable	1: Enable.	1
Host Lane Digital PRBS Registers						
A430	16	RO		Host Lane m PRBS TX Error Count	16 registers, one for each host lane, represent 16 host lanes. m = 0, 1, ..., M-1. M_max = 16. Actual M is module dependent. This counter increases upon detection of each RX checker error when host lane TX PRBS checker is enabled. It stops counting when the TX PRBS checker is disabled. It uses an ad-hoc floating point number format with a 6-bit unsigned exponent and a 10-bit unsigned mantissa.	0000h
			15~10	Exponent	6-bit unsigned exponent.	0
			9~0	Mantissa	10-bit mantissa giving better than 0.1% accuracy in bit counts.	0
Host Lane Control Registers						
A440	16			Host Lane m Control	16 registers, one for each host lane, represent 16 host lanes. m = 0, 1, ..., M-1. M_max = 16. Actual M is module dependent.	0007h
		RO	15~4	Reserved		0
		RW	3~0	Signal Pre/De-emphasis	4-bit unsigned number N represents the pre/de-emphasis applied. Pre/De-emphasis = N * 0.5 dB, N = 0, ..., 15. The power on default is 3.5 dB with a value of 7 in this field.	7
A450	48	RO		Reserved		0000h

1
2

6 MSA-100GLH MODULE MANAGEMENT INTERFACE

6.1 Overview

This section specifies an extension to the CFP MSA Management Interface Specification for supporting the OIF 100G Long-Haul DWDM Transmission Module Electro-mechanical MSA (MSA-100GLH) [6]. The MSA-100GLH specifies the use of MDIO [2] as the management interface between a Host and MSA-100GLH Module. The intention of including the MSA-100GLH management interface specification in the CFP MSA MIS document is to enable a common host-module management interface implementation that encompasses both 100Gb/s client and line-side optical transmission module applications.

MDIO registers and functionality required for supporting the MSA-100GLH application are specified in this section. Optical transport networking and modulation format dependent register options are also specified. This specification strives to remain modulation format and data rate agnostic whenever practical to maximize applicability to future market requirements.

The MSA-100GLH module management software architecture and logical relationship to the MSA-100GLH module hardware architecture are illustrated in *Figure 13: MSA-100GLH Module Management Architecture*. The MSA-100GLH module software and hardware architectures depicted in this Figure are for illustration purposes only and do not imply implementation requirements. When multiple MSA-100GLH modules are connected via a single bus, a particular MSA-100GLH module may be selected by using the MDIO Physical Port Address pins.

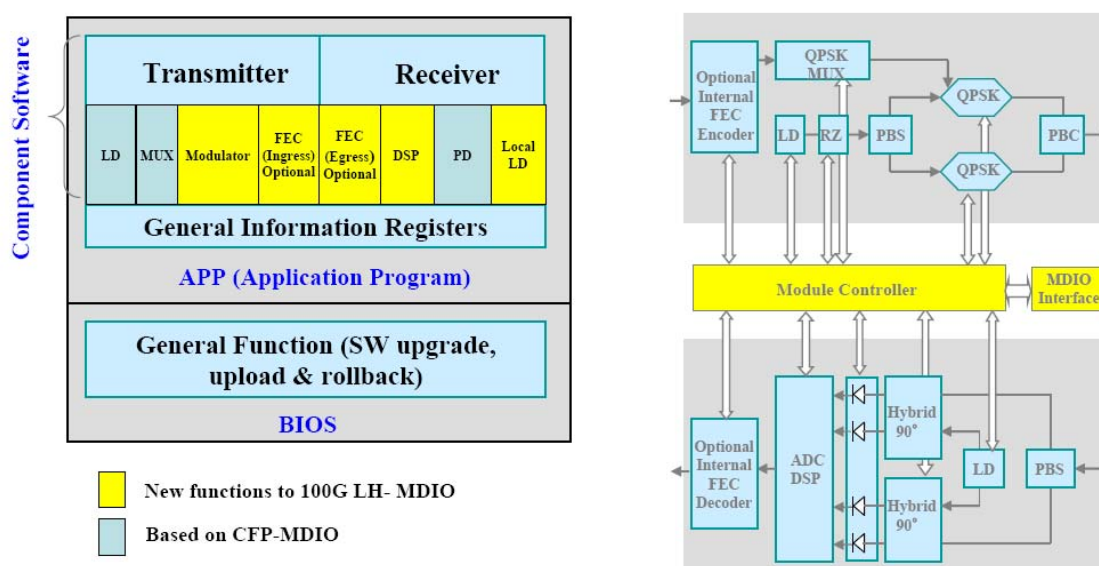


Figure 13: MSA-100GLH Module Management Architecture

1 **6.2 MSA-100GLH Module Management Interface Information & Functionality**

2 The following management information and functionality are specified for the MSA-100GLH
3 Management Interface in addition to the management information and functionality
4 specified in the Sections 4 and 5 of this document. The additional information and
5 functionality specified in this section are categorized as follows:
6

- 7 1. Module Base and Extended ID Information
- 8 2. Module Level Commands, Control & FAWS
- 9 3. MDIO Write Flow Control
- 10 4. Module Additional Monitored Parameters
- 11 5. Performance Monitoring (including optional FEC, OTN and modulation format
12 dependent optical parameters)
- 13 6. Software Upgrade Capability
- 14 7. Auxiliary Channel over MDIO (Optional)
- 15 8. Module-to-Host Generic Data Upload Capability
- 16 9. Bulk Data Transfer Procedure
17

18 **6.2.1 Module Base and Extended ID Information**

19 Base and extended information registers specified in Section 5 are modified to support the
20 MSA-100GLH application. Base and extended register specification modifications are
21 identified in Section 6.4.1: CFP NVR 1 Table: Modified Base ID Registers for MSA-
22 100GLH.
23

24 **6.2.2 Module Command, Control & FAWS**

25 Module level command setup, control and status registers defined in Sections 4 and 5 are
26 modified and extended to support the MSA-100GLH application. Additional control
27 parameters necessary for the MSA-100GLH application include:

- 28 - Password Control (Option);
- 29 - TX laser frequency and power control;
- 30 - RX laser frequency control;
- 31 - FEC control;
- 32 - Host lane signal equalization control.
33

34 These major additions stem from the MSA-100GLH module having a tunable frequency for
35 DWDM operation and having an additional laser for the Network Receive interface for
36 coherent operation.
37

38 **6.2.2.1 Password Control (Optional)**

39 Password is optionally provided in this MSA to allow vendor and user control of access to
40 information in the register shadow. Registers B000h ~ B001h are reserved for the

1 password entry. The Password entry registers are write-only (WO) and are retained until
2 Reset or rewritten by the host.

3
4 Password is a 2-word long data with the most significant word occupying the lower register
5 address. All user passwords shall be in the range of 00000000h to 7FFFFFFFh, while all
6 vendor passwords shall be in the range of 80000000h to FFFFFFFFh. A MSA default
7 password 01011100h is given for any new module shipped. Table 27 lists the access
8 control needed for accessing various parts of the register shadow.

9
10 Password can be changed by the user writing to Password Change register at B002h and
11 B003h. On power up and reset, the password entry register shall be set to 00000000h.
12

13 Table 27: Register Access under Password Control

Register	Read	Write	Restore	Save	Note
Module NVR 1	MSA Default	N/A	N/A	N/A	*Using register B004h to operate
Module NVR 2	MSA Default	N/A	N/A	N/A	
Vendor NVR	MSA Default	N/A	N/A	N/A	
User NVR	MSA Default	User*	User*	User*	

14
15 **6.2.2.2 Laser Frequency Setting Definition**

16 The TX laser frequency as a function of channel number is defined as:

17
18
$$\text{Freq(GHz)} = (\text{Tx_chan_no (B400h.9~0)} - 1) * \text{Tx_grid_spacing (B400h.15~13)} +$$

19
$$\text{chan_1_freq (818Ah*1000, 818Ch/20)} + \text{Tx_fine_tune_freq (B430h/1000)}$$

20
21 The RX laser frequency as a function of channel number is defined as:

22
23
$$\text{Freq(GHz)} = (\text{Rx_chan_no (B420h.9~0)} - 1) * \text{Rx_grid_spacing (B420h.15~13)} +$$

24
$$\text{chan_1_freq (818Ah*1000, 818Ch/20)} + \text{Rx_fine_tune_freq (B440h/1000)}$$

25
26 The fine tune frequency registers B430h(TX) and B440h(Rx) should be set under the low
27 power state to avoid the mis-setting of laser frequency.

28
29 Related registers channel number, grid spacing (B400h, B420h) and fine frequency tuning
30 (B430h, B440h) are settable parameters from the host. First channel and last channel
31 frequency (for each system vendor) are defined by the module at registers 818Ah, 818Ch,
32 818Eh and 818Gh. Registers B450h ~ B480h give current laser frequency settings in the
33 module.

34
35 Note: Registers 0x8012h, 0x8014h and 0x8016h provide module transmitter spectral
36 characteristics information for all applications. However, they do not have a role in
37 transmitter wavelength provisioning between host and module.

6.2.2.3 MSA-100GLH Module Global Alarm System Logic

Modifications to the CFP Global Alarm system logic specified in Section 4.6 for the MSA-100GLH module application is described below.

The MSA-100GLH module uses GLB_ALARM, to alert the Host any condition outside normal operating conditions. The GLB_ALARM is related to all the contributing FAWS registers including the status registers, the latch registers, and the enable registers, all listed in Table 28: MSA-100GLH Global Alarm Related Registers.

Figure 14: MSA-100GLH Module Global Alarm Signal Aggregation depicts the global alarm signal aggregation logic. In this system, status registers drive the latch registers on a bit-by-bit basis. The logic OR of all enabled bits in the latched registers drives GLB_ALARM. This simple and flat OR combinational logic minimizes the assert time after a global alarm condition happens.

Also shown in, the Host shall control which latched bits resulting in a global alarm assertion by asserting individual bits in the enable registers. All enabling bits shall be volatile and startup with initial values defined in Table 23 CFP Module VR 1.

When GLB_ALARM alerts the Host to a latched condition, the Host may query the latched registers for the condition. The latched bits are cleared on the read of the corresponding register. Thus, a read of all latched registers can be used to clear all latched register bits and to de-assert GLB_ALARM.

Table 28: MSA-100GLH Global Alarm Related Registers

Description	CFP Register Addresses
Summary Registers	
Network/Host Alarm Status Summary	B017h
Global Alarm Summary	B018h
Network Lane Alarm and Warning 1 Summary	B019h
Network Lane Fault and Status Summary	B01Ah
Host Lane Fault and Status Summary	B01Bh
Network Lane Alarm and Warning 2 Summary	B01Ch
Status Registers	
Module State	B016h
Module General Status	B01Dh
Module Fault Status	B01Eh
Module Alarm and Warning 1	B01Fh
Module Alarm and Warning 2	B020h
Module Extended Functions	B050h
Network Lane n Alarm and Warning 1	B180h + n, n= 0, 1, ..., N-1.

Network Lane n Alarm and Warning 2	B190h + n, n= 0, 1, ..., N-1.
Network Lane n Fault and Status	B1A0h + n, n= 0, 1, ..., N-1.
Network Lane TX Alignment Status	B210h + n, n= 0, 1, ..., N-1.
Network Lane TX Alignment Status PM Interval	B240h + n, n= 0, 1, ..., N-1.
Network Lane RX Alignment Status	B250h + n, n= 0, 1, ..., N-1.
Network Lane RX Alignment Status PM Interval	B280h + n, n= 0, 1, ..., N-1.
Network Lane RX OTN Status	B580h + n, n= 0, 1, ..., N-1.
Network Lane RX OTN Status PM Interval	B5B0h + n, n= 0, 1, ..., N-1.
Host Lane m Fault and Status	B600h + m, m= 0, 1, ..., M-1.
Host Lane TX Alignment Status	B650h + m, m= 0, 1, ..., M-1.
Host Lane TX Alignment Status PM Interval	B680h + m, m= 0, 1, ..., M-1.
Host Lane RX Alignment Status	B690h + m, m= 0, 1, ..., M-1.
Host Lane RX Alignment Status PM Interval	B6C0h + m, m= 0, 1, ..., M-1.
Host Lane TX OTN Status	B700h + m, m= 0, 1, ..., M-1.
Host Lane TX OTN Status PM Interval	B730h + m, m= 0, 1, ..., M-1.
Latch Registers	
Module State Latch	B022h
Module General Status Latch	B023h
Module Fault Status Latch	B024h
Module Alarm and Warning 1 Latch	B025h
Module Alarm and Warning 2 Latch	B026h
Module Extended Functions Latch	B054h
Network Lane n Alarm and Warning 1 Latch	B1B0h + n, n = 0, 1, ..., N-1.
Network Lane n Alarm and Warning 2 Latch	B1C0h + n, n = 0, 1, ..., N-1.
Network Lane n Fault and Status Latch	B1D0h + n, n = 0, 1, ..., N-1.
Network Lane TX Alignment Status Latch	B220h
Network Lane RX Alignment Status Latch	B260h
Network Lane RX OTN Status Latch	B590h + n, n= 0, 1, ..., N-1.
Host Lane m Fault and Status Latch	B610h + m, m = 0, 1, ..., M-1.
Host Lane TX Alignment Status Latch	B660h
Host Lane RX Alignment Status Latch	B6A0h
Host Lane TX OTN Status Latch	B710h + m, m= 0, 1, ..., M-1.
Enable Registers	
Module State Enable	B028h
Module General Status Enable	B029h
Module Fault Status Enable	B02Ah
Module Alarm and Warning 1 Enable	B02Bh
Module Alarm and Warning 2 Enable	B02Ch
Module Extended Functions Enable	B057h
Network Lane n Alarm and Warning 1 Enable	B1E0h + n, n = 0, 1, ..., N-1.
Network Lane n Alarm and Warning 2 Enable	B1F0h + n, n = 0, 1, ..., N-1.
Network Lane n Fault and Status Enable	B200h + n, n = 0, 1, ..., N-1.

Network Lane TX Alignment Status Enable	B230h
Network Lane RX Alignment Status Enable	B270h
Network Lane RX OTN Status Enable	B5A0h + n, n= 0, 1, ..., N-1.
Host Lane m Fault and Status Enable	B620h + m, m = 0, 1, ..., M-1.
Host Lane TX Alignment Status Enable	B670h
Host Lane RX Alignment Status Enable	B6B0h
Host Lane TX OTN Status Enable	B720h + m, m= 0, 1, ..., M-1.
Notes:	
1. "n" denotes the network lane index.	
2. "N" is the total number of network lanes supported in a MSA-100GLH module. The maximum value of N is 16.	
3. "m" denotes the host lane index.	
4. "M" is the total number of host lanes supported in a MSA-100GLH module. The maximum value of M is 16.	

1
2
3 In order to minimize the number of reads for locating the origin of the global alarm
4 condition, the Host may use the global alarm query hierarchy listed in Table 29: Global
5 Alarm Query Hierarchy.

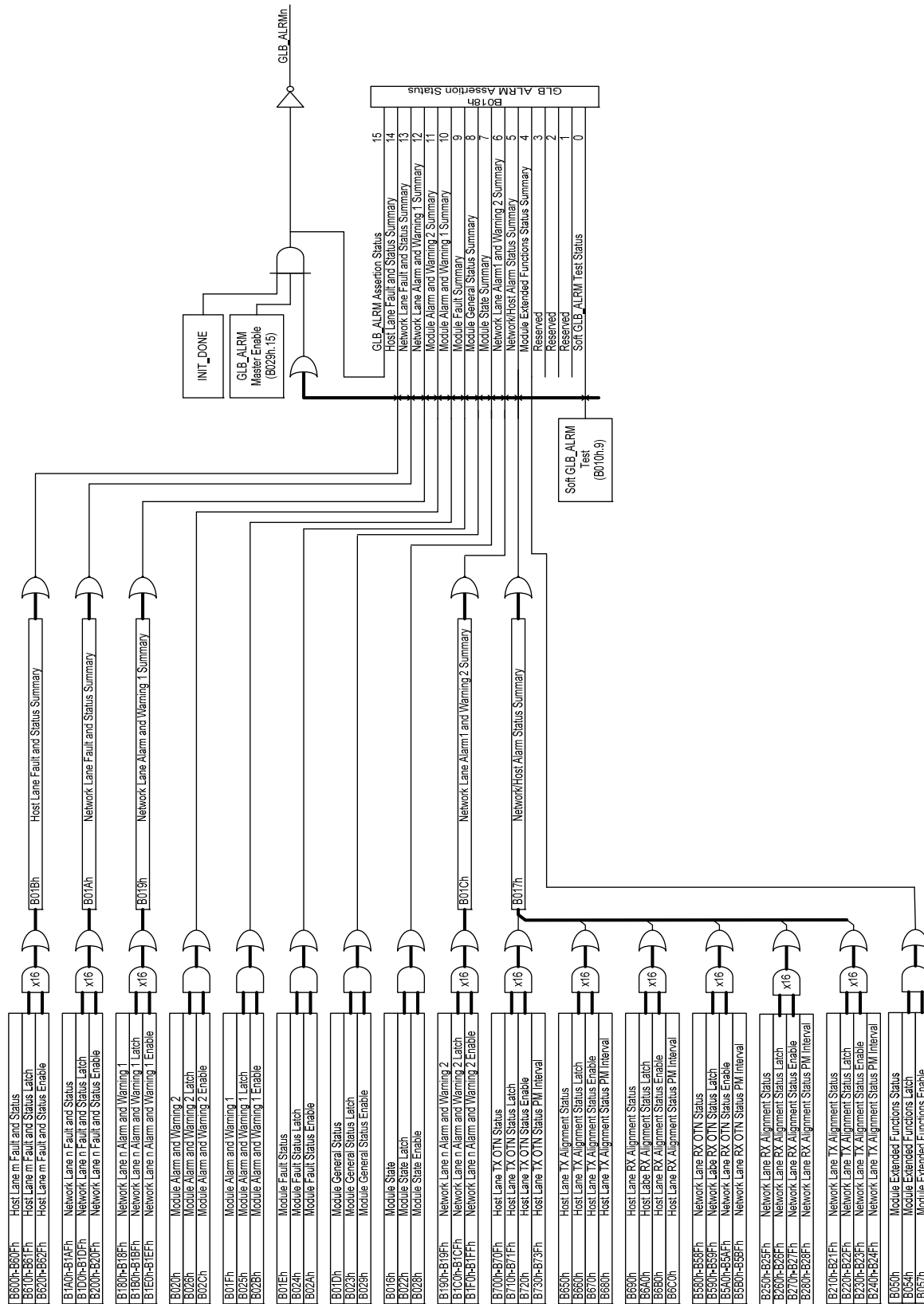
7 Table 29: Global Alarm Query Hierarchy

Query Level	CFP Register Name	CFP Register Addresses
1	Global Alarm Summary	B018h
2	Network Lane Alarm and Warning 1 Summary	B019h
2	Network Lane Fault and Status Summary	B01Ah
2	Host Lane Fault and Status Summary	B01Bh
2	Network Lane Alarm and Warning 2 Summary	B01Ch
3	Network Lane n Alarm and Warning 1 Latch	B1B0h + n, n = 0, 1, ..., N-1.
3	Network Lane n Alarm and Warning 2 Latch	B1C0h + n, n = 0, 1, ..., N-1.
3	Network Lane n Fault and Status Latch	B1D0h + n, n = 0, 1, ..., N-1.
3	Host Lane m Fault and Status Latch	B610h + m, m = 0, 1, ..., M-1.
Notes:		
1. "n" denotes the network lane index.		

-
- | |
|--|
| <ol style="list-style-type: none">2. "N" is the total number of network lanes supported in a MSA-100GLH module. The maximum N value is 16.3. "m" denotes the host lane index.4. "M" is the total number of host lanes supported in a MSA-100GLH module. The maximum M value is 16. |
|--|

1
2
3
4
5
6
7

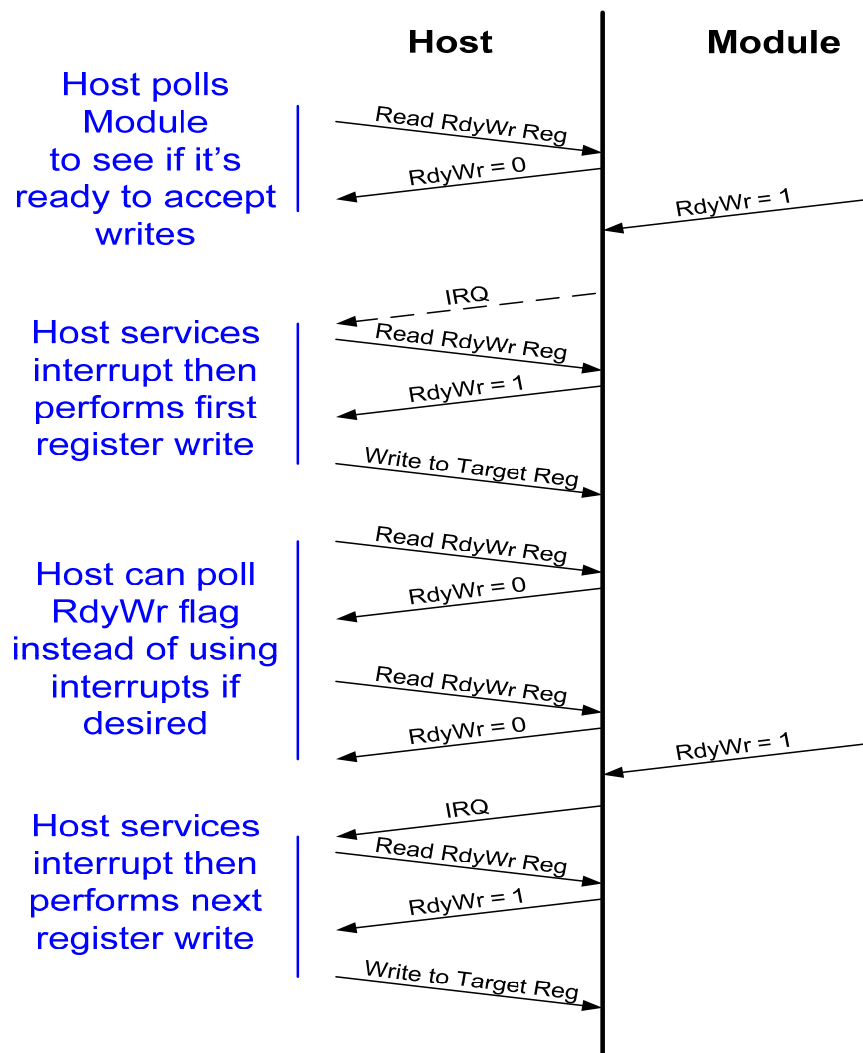
Figure 14: MSA-100GLH Module Global Alarm Signal Aggregation



1

1 **6.2.3 MDIO Write Flow Control**

2 MDIO Write Flow Control functionality is specified to prevent possible overrun of
 3 commands from the host to module that may take relatively longer response time due to
 4 software processing, such as setting a laser channel. MDIO Write Flow Control is achieved
 5 by defining a status register that has a bit which provides status regarding the completion of
 6 the last initiated command and that could also generate an interrupt when command
 7 completion occurred. The Host is responsible for querying this register or waiting for a
 8 completion interrupt before issuing subsequent MDIO Write transactions. No restrictions
 9 are present on MDIO Address, Read or Post Read Increment Address instructions. The
 10 Host may execute these commands anytime and as many times per second. The Host and
 11 Module interaction for an MDIO Write transaction is illustrated in *Figure 15*.
 12



13 *Figure 15: Host-Module MDIO Write Flow Control*

14

15

1 Write Flow Control is applicable only to the 0xB000 page registers defined in Section 6.4.
2 For all registers specified in Section 5, the logic remains the same as in CFP MSA MIS
3 V1.4. If the host is writing to any of the 0xA000 page register, it will just write to the register.
4 If the host is writing to any of the 0xB000 page register it has to follow the Write Flow
5 Control procedure. Write flow control to 0xBC00-BFFF range bulk data is provided by the
6 registers defined in Module Extended Functions Control Registers.

7
8 If the Host writes an MDIO register with an inappropriate value for a field (e.g., power
9 setting not in supported range), the module will set the command error status bit. In
10 addition, the module will provide the MDIO register address at which the error occurred, the
11 data which caused the error, a mask of the specific bits in the data which were in error, and
12 a cause of the error. The host will be informed that an error occurred through the command
13 error status bit, either by polling or as an interrupt. The host can then obtain further details
14 about the error through the supporting Command Error registers. The intent of this facility is
15 to be a diagnostic aid for the host in situations where incorrect data for an MDIO register is
16 written. It is not intended for circumstances where a command is correctly written to an
17 MDIO register, but due to a device error could not be completed successfully, such as if a
18 laser's channel cannot set successfully. Such errors are raised as a fault, alarm or warning
19 as appropriate, via the GLB_ALRMn MDIO interface interrupt mechanism.

21 **6.2.4 Module Monitored Parameters**

22 The following parameters in addition to those specified in the CFP MSA MIS V1.4 are
23 required to be monitored in the MSA-100GLH application:

- 24 1. Receiver Laser Bias Current;
- 25 2. Receiver Laser Temperature;
- 26 3. Receiver Laser Output Power;
- 27 4. Transmitter Modulator Bias.

28
29 These additional parameters stem from the MSA-100GLH module having an additional
30 Laser for the Network Receive interface for coherent operation and a multi-level/phase
31 modulator for the Network Transmit interface.

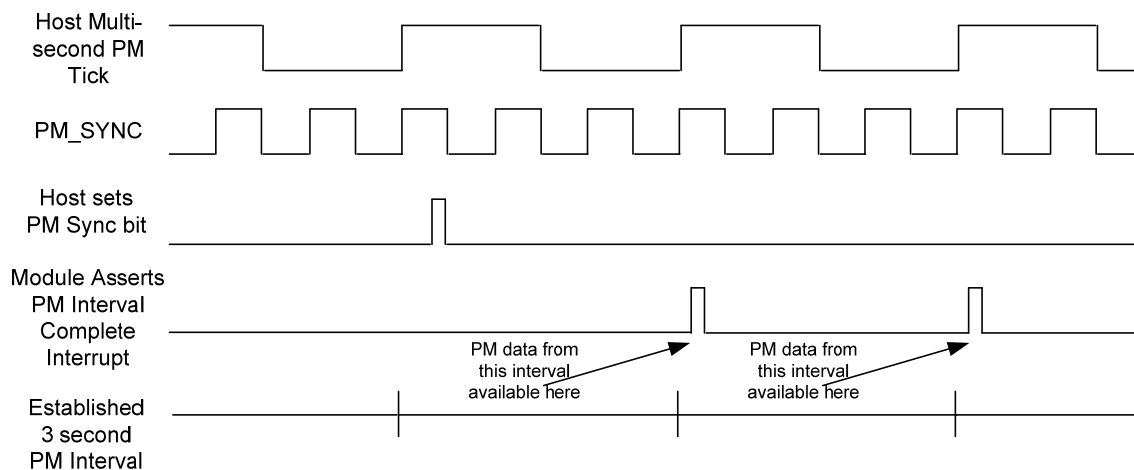
33 **6.2.5 Performance Monitoring**

34 **6.2.5.1 Performance Monitoring Tick**

35 The module will have the capability to generate an internal Performance Monitor Tick or
36 use an externally provided one from the host on the PM_SYNC pin. Regardless of the
37 source, the performance monitor tick will have a one second period. The advantage of
38 using the host driven tick is that module Performance Monitoring data can be better
39 synchronized to host data collection, thus avoiding any drift and misalignment between the
40 two. The module will use the one second interval as the basis to provide Performance
41 Monitor data to the host. The host will specify the number of seconds over which it wishes

1 the module to accumulate Performance Monitoring data. This accumulation period can
2 range from 1 second to 64 seconds. At the end of every accumulation period the module
3 can interrupt the host letting it know Performance Monitoring data for a new period is
4 available. The host also has the option to poll for this information. While the last full period
5 data is available to the host, the module is accumulating data for the current period.
6

7 The start of a multi-second accumulation period can be specified by the host setting the
8 Performance Monitor Tick Synchronization flag during the one second interval that signifies
9 the start of the multi-second accumulation period. This synchronization may be set any time
10 after module reset. This always indicates beginning of the new period. Any pending period
11 completions will be dropped and the new period starts immediately. For example, if a host
12 has a 3 second PM interval and wishes to synchronize the module to it, then it will first set
13 the Performance Monitor Interval field of the Performance Monitor Control register to 2.
14 Then as shown in *Figure 16* below, it will set the Performance Monitor Tick Synchronization
15 bit and subsequently the module's 3 second PM data will be synchronized with the host.
16



17
18
19 *Figure 16: Host-Module Performance Monitoring Tick Synchronization*

20
21 In addition to Performance Monitor Tick synchronization with the host, the module can have
22 a one second granularity Real-Time Clock synchronized to the one second performance
23 monitor tick. The Real-Time Clock will specify the time in seconds since Jan. 1, 1970. This
24 will be useful for synchronizing events that occur in the module and could get captured in
25 logs, to events seen on the host.
26

27 **6.2.5.2 Statistics**

28 The Performance Monitoring statistics that the module provides are described below in
29 *Table 39: MSA-100GLH Network Lane VR 2 Registers*. Modulation format dependent
30 Performance Monitoring statistics are described in Section 6.4.8. Register fields described
31 as "over PM interval" get updated every accumulation period seconds, as specified by the

1 host in the Performance Monitor Interval parameter. The register will have the last value for
2 the previous complete accumulation period. When data for a new accumulation period is
3 available, the module will update the values. FAWS type of parameters will have an “over
4 PM interval” status. This will provide an indication if the FAWS occurred over the last
5 accumulation period. The major parameter additions stem from the MSA-100GLH module
6 being utilized in long distance transmission where optical impairments are significant and
7 the module possibly having a modem in the Network Receive interface for coherent
8 operation.

9
10 In addition to having the “over PM interval” status, FAWS type of parameters will also have
11 the module established real-time status, latched status, and interrupt enable functionality.
12

13 **6.2.5.3 Multi-Word Read Procedure**

14 Some PM Statistics registers are multi-word, e.g. Chromatic Dispersion B800h ~ B810h.
15 There is a possibility that the most and least significant words are inconsistent. For
16 example,

- 17 1) Register B800h is read.
- 18 2) MW is updated.
- 19 3) Register B810h is read.

20 In this case monitored values are inconsistent.

21
22 The follow procedure is specified for MW read:

- 23 1) Host sends lower address of MW. -> Module latches appropriate MW data.
- 24 2) Host sends Read operation code. -> Module sends Most Significant Word.
- 25 3) Host sends upper address of MW.
- 26 4) Host sends Read operation code. -> Module sends Least Significant Word.

27
28 The example above is then corrected as follows:

29 Host reads B800h (Current Chromatic Dispersion, Most Significant Word) and B810h
30 (Current Chromatic Dispersion, Least Significant Word).

- 31 1) Host sends B800h address. -> Module prepares and latches Current Chromatic
32 Dispersion data (32bit).
- 33 2) Host sends Read operation code. -> Module sends Most Significant Word (b31~16).
- 34 3) Host sends B810h address.
- 35 4) Host sends Read operation code. -> Module sends Least Significant Word (b15~0).

36
37 Note: If host sends upper address of MW first, consistency of MW data is not guaranteed.
38

39 **6.2.6 Software Upgrade Capability**

40 For software upgrade, the software data image must be divided into blocks whose size is
41 determined by how much data can be processed by the module in a given time cycle. Each
42 block includes the data and CRC, so that the module can check whether there are any

1 errors after receiving the block. Upon finding any errors in the block, the module informs the
2 Host of a received errored block and the host must retransmit the same block.

3
4 A software upgrade transfer begins with the Host issuing a request to download an image.
5 The module grants the request and the image is written a block at a time in the 0xBC00
6 address space and setting the “Upgrade Data Block Ready” flag and the module processes
7 each block and updates the status. It is the host responsibility to make sure that each block
8 size is equal to or less than the “Maximum Upgrade Data Block Size”. If there is any error in
9 block processing, the host will retransmit the block. It is recommended to force an abort by
10 the host if a CRC error occurs few times on the same block. While download is not
11 complete, the Host can issue “Abort” command to abort the current download that is in
12 progress. After all the words of the image have been written to the module, termination of
13 the transfer is completed by issuing a Download Complete to the Upgrade Command
14 register. The module will acknowledge the complete image has been downloaded
15 successfully by providing a Command completed successfully status. If the image had an
16 error in download, then the module will reply with a Command failed status. This state
17 machine is illustrated in *Figure 17: Software Upgrade State Machine*. The Software
18 Upgrade sequence is illustrated in *Figure 18: Software Upgrade Sequence*. Module sets
19 Maximum Upgrade Data Block Size.

20
21 Once the image has been downloaded successfully, the image’s service affectability will be
22 reported and a request to run downloaded image can be performed. Ideally, most upgrades
23 should not be service affecting, i.e. services actively supported by the transmission system,
24 especially if they are just software upgrades. In some instances when upgrading firmware it
25 may not be possible to achieve a non-service affecting upgrade. With the image service
26 affecting status provided, the host software can be informed of the side effects that may
27 impact current service by upgrading to the downloaded image. During a service affecting
28 upgrade, the module may be in a state where even MDIO transactions are not available to
29 the module while the upgrade is happening. In order for the host to be cognizant of when
30 MDIO transactions are available, the assertion of the GLB_ALARM pin shall signal to the
31 host that initialization due to the upgrade is complete and the MDIO interface is available.
32 Even though an upgrade is service affecting, it shouldn’t require a reconfiguration of the
33 module to get it in the operating state that it was in just prior to the upgrade.

34
35 After the run downloaded image request is issued by the Host, the module will be running
36 the downloaded version of software. At this point, the Host can commit the image. If the
37 Host wants to keep both banks the same, then issue “Copy Image” command.

38
39 Note: The host should be aware that during module software upgrade, the NVR Checksum
40 may be inconsistent due to mismatch of some register values between host and module,
41 e.g. 0x806Ch, 0x807Bh. These registers should be updated and the host, module NVR
42 Checksums consistent after the module software upgrade is successfully completed.

43
44 Also, to clarify expected host behavior following module hardware reset, there are three
45 cases that need to be considered:

-
- 1 1. Hardware Reset:
 - 2 Asserting MOD_RSTn will cause a complete reset of the module. All VR values are lost
 - 3 and must be re-written by the Host.
 - 4
 - 5 2. Non-service affecting upgrade
 - 6 Non-service affecting upgrades are typically software-only upgrades and will not include
 - 7 module reprogramming. If the VR is maintained in the module, the MDIO register space is
 - 8 preserved during the upgrade. The CPU must re-read the VR after the upgrade to return to
 - 9 the state prior to the upgrade. This will include channel numbers, power settings etc
 - 10
 - 11 3. Service affecting upgrade
 - 12 Service affecting upgrades may include reprogramming of the module. During this
 - 13 process, the contents of the VR in the module may be lost and the host must reset the VR
 - 14 to return the module to the configuration state prior to the upgrade.

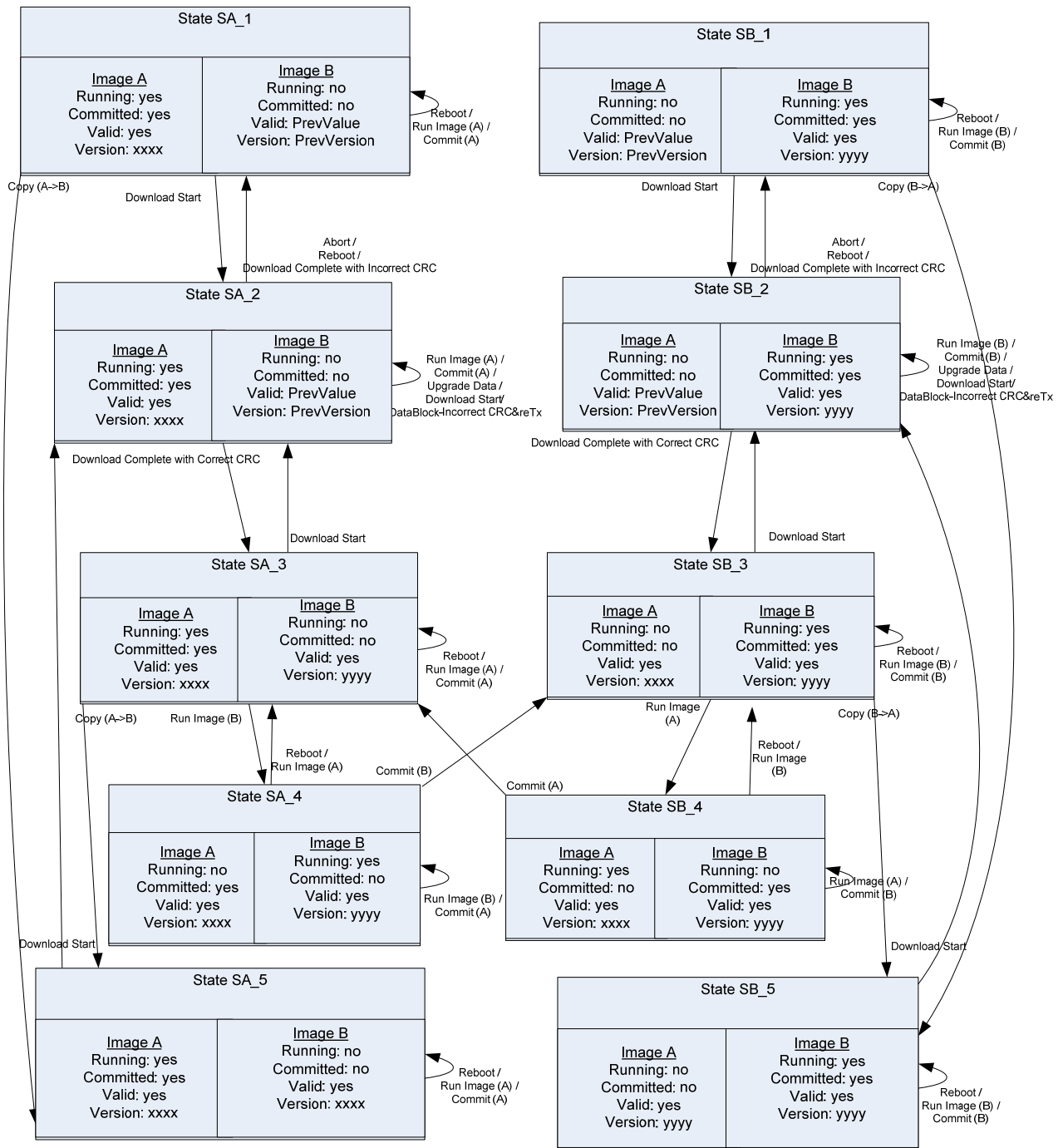
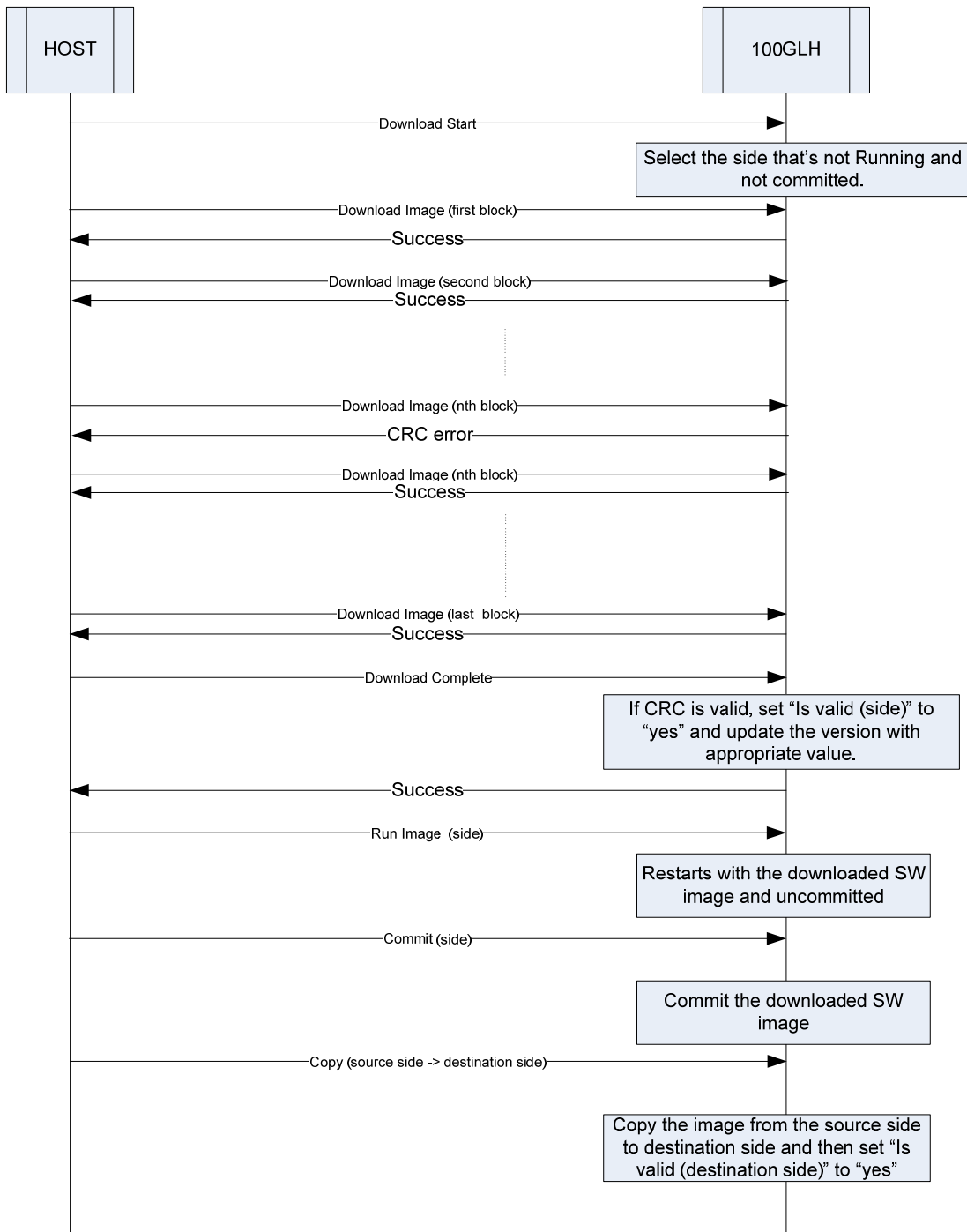


Figure 17: Software Upgrade State Machine

1
2
3
4
5



1
2
3
4
5

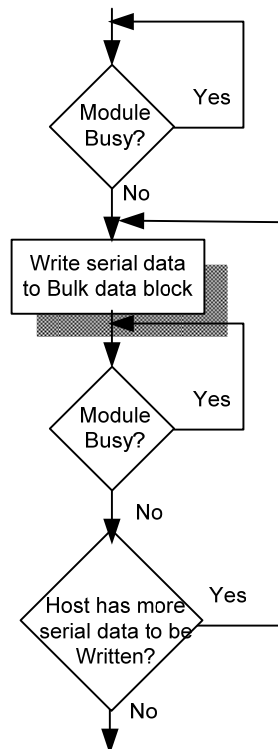
Figure 18: Software Upgrade Sequence

1 **6.2.7 Auxiliary Channel over MDIO (Optional)**

2 Diagnostics and debugging of any module is challenging for many reasons: limited pins,
3 limited register space, lack of accessibility, being embedded in a line-card and shelf that
4 could be of a different manufacturer than the module. In order to alleviate some of these
5 short-comings, a standardized optional Auxiliary interface via MDIO registers is defined.
6 With software support from the line-card and shelf hosting the module, it is envisioned the
7 Auxiliary interface could provide Field Applications Engineers and developers with access
8 to the module for detailed real-time interrogation. One of the usages of this interface is to
9 extend UART support. The UART aspect of the Auxiliary interface means that there is a
10 simple interface, consisting simply of transmit and receive registers without any hardware
11 flow control. Flow control will be inherent via the bulk data transfer MDIO interface. The
12 optional Auxiliary interface will not affect any other MDIO activity, so it should be
13 transparent for normal MDIO status and command execution (with the exception of
14 anything that uses bulk data block).

15
16 The procedure for host to module data transfer over the Auxiliary interface is shown in
17 *Figure 19: Host-to-Module Auxiliary Interface Data Transfer*. Flow control between the host
18 and module is achieved through the MDIO write flow control mechanism.

19
20



21
22

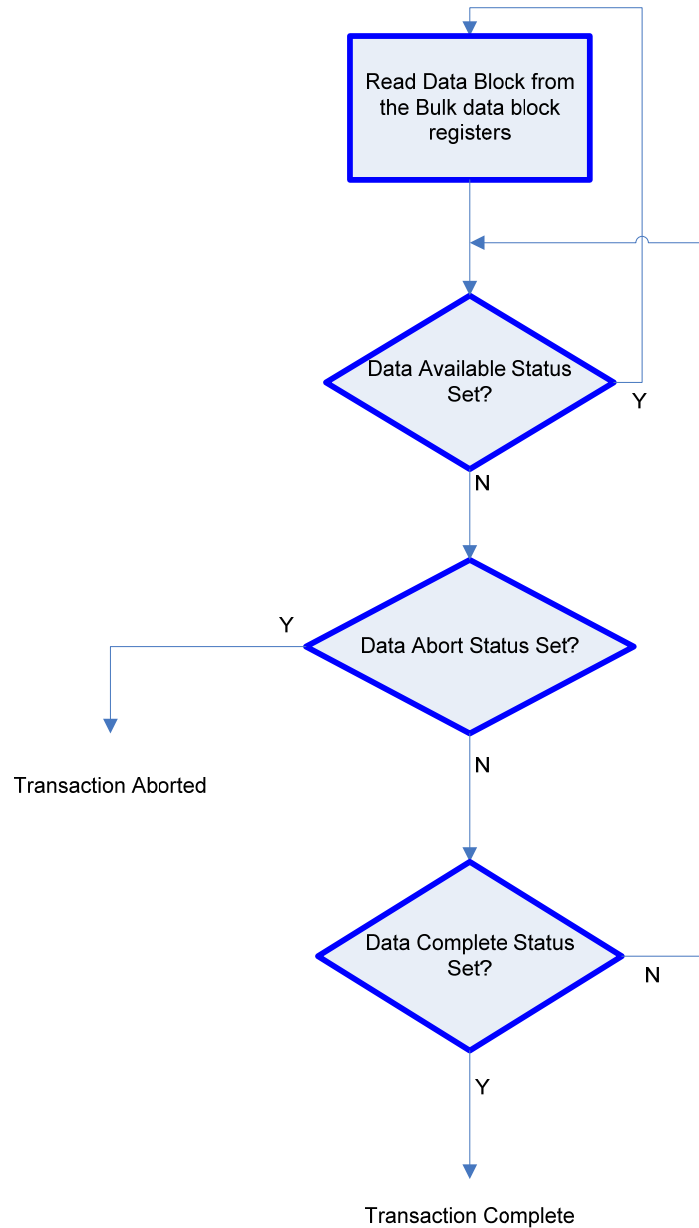
Figure 19: Host-to-Module Auxiliary Interface Data Transfer

1
2 The procedure for module to host data transfer over the Auxiliary interface is shown in
3 *Figure 20: Module-to-Host Auxiliary Interface Data Transfer*. Flow control between the
4 module and host is achieved through the host only reading the Auxiliary receive data only
5 when it's ready. The module will buffer data as needed. The host can be informed that new
6 data is available from the module, either by polling or via an interrupt. Once the host reads
7 the available data from the receive data register, the module can provide the next
8 sequential data, if any, and set the respective status bits and interrupt as appropriate.
9

10 An Auxiliary interface host-to-module transaction starts by writing one block at a time in the
11 0xBC00 address space and setting the appropriate Auxiliary interface host-to-module
12 "Transaction Data Block Ready" flag and the module processes the transaction. Host uses
13 the "Maximum Upgrade Data Block Size" set by the module, and it is the host's
14 responsibility to make sure that each block size is equal to or less than the "Maximum
15 Upgrade Data Block Size". If there is any error in block processing, the host will retransmit
16 the block. It is recommended to force an abort by the host if a CRC error occurs few times
17 on the same block.
18

19 *Figure 20: Module-to-Host Auxiliary Interface Data Transfer* shows the procedure a host
20 would use to read the Auxiliary interface module-to-host transaction data. This transaction
21 bulk data is written a block at a time in the 0xBE00 address space and setting the
22 appropriate Auxiliary interface module-to-host "Transaction Data Block Ready" flag and the
23 host processes each block and updates the status. It is modules responsibility to make sure
24 that each block size equal to or less than the "Maximum Upload Data Block Size". If there is
25 any error in the block processing module will retransmit the block. It is recommended to
26 force an abort by the module if the CRC error occurs few times on the same block.
27 Indication that all module-to-host transaction data has been transferred is conveyed via the
28 data complete status bit. Host sets Maximum Upload Data Block Size.
29

30 In order to provide maximum flexibility, two Auxiliary interfaces have been defined. This can
31 allow access to two processors at the same time, or to an interactive diagnostic shell and
32 streaming debug output at the same time.
33



1
2
3

Figure 20: Module-to-Host Auxiliary Interface Data Transfer

4 **6.2.8 Module-to-Host Generic Data Upload**

5 There may be times when it is advantageous to be able to upload bulk data from the
6 module. This could be for diagnostic purposes for off-line processing or for image recovery.

1 In order to facilitate this, a standard generic mechanism for bulk data upload from the
2 module to the host is defined. Specifying the types of bulk data to upload is outside the
3 scope of the specification, only the low-level transport mechanism is defined in order to
4 assure consistent support across multiple host and module vendors.

5
6 *Figure 21: Module-to-Host Generic Data Upload* shows the procedure a host would use to
7 upload data. The host sets the type of data to upload in the upload type field and requests
8 the upload to start by setting the upload start request bit in the upload control register. The
9 bulk data is written a block at a time in the 0xBE00 address space and setting the “Upload
10 Data Block Ready” flag and the host processes each block and updates the status. It is
11 modules responsibility to make sure that each block size equal to or less than the
12 “Maximum Upload Data Block Size”. If there is any error in the block processing module will
13 retransmit the block. It is recommended to force an abort by the module if the CRC error
14 occurs few times on the same block. Indication that all upload data has been transferred is
15 conveyed via the upload data complete status bit. Host sets Maximum Upload Data Block
16 Size.

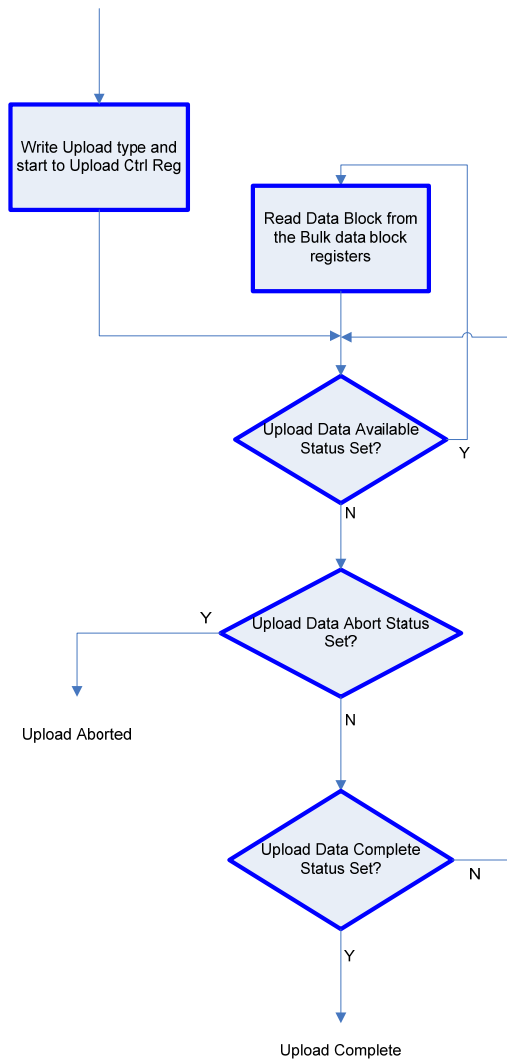


Figure 21: Module-to-Host Generic Data Upload

1
2
3
4
5
6
7
8
9
10
11
12

6.2.9 Bulk Data Block Register Structure

6.2.9.1 Host-to-Module Transaction Structure

The Host-to-Module bulk data block starts at register 0xBC00 and can extend up to 0xBDFF. The first register (0xBC00) is Data Block Size (in number of registers for the data portion). The data starts at 0xBC01 followed by the 32-bit CRC as specified in [ITU-T I.363.5]. For all these registers, MSB stored at low address and LSB stored at high address.

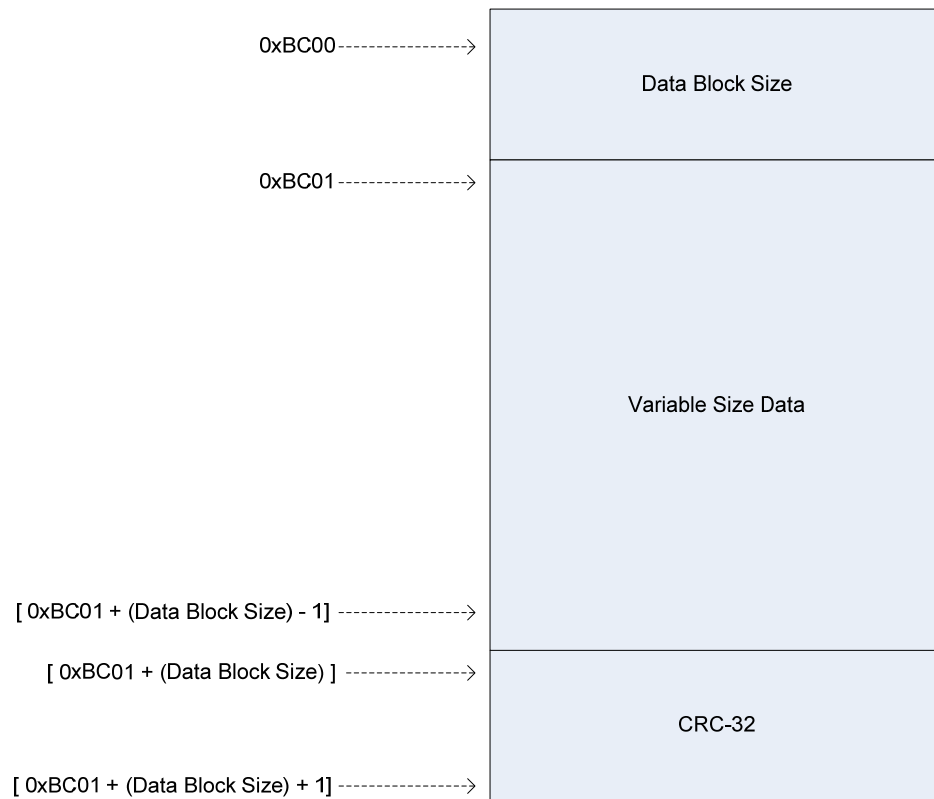


Figure 22: Host-to-Module Bulk Data Block Structure

6.2.9.2 Module-to-Host Transaction Structure

The Module-to-host bulk data block starts at register 0xBE00 and can extend up to 0xBEFF. The first register (0xBE00) is Data Block Size (in number of registers for the data portion). The data starts at 0xBE01 followed by the 32-bit CRC as specified in [ITU-T I.363.5]. For all these registers, MSB stored at low address and LSB stored at high address.

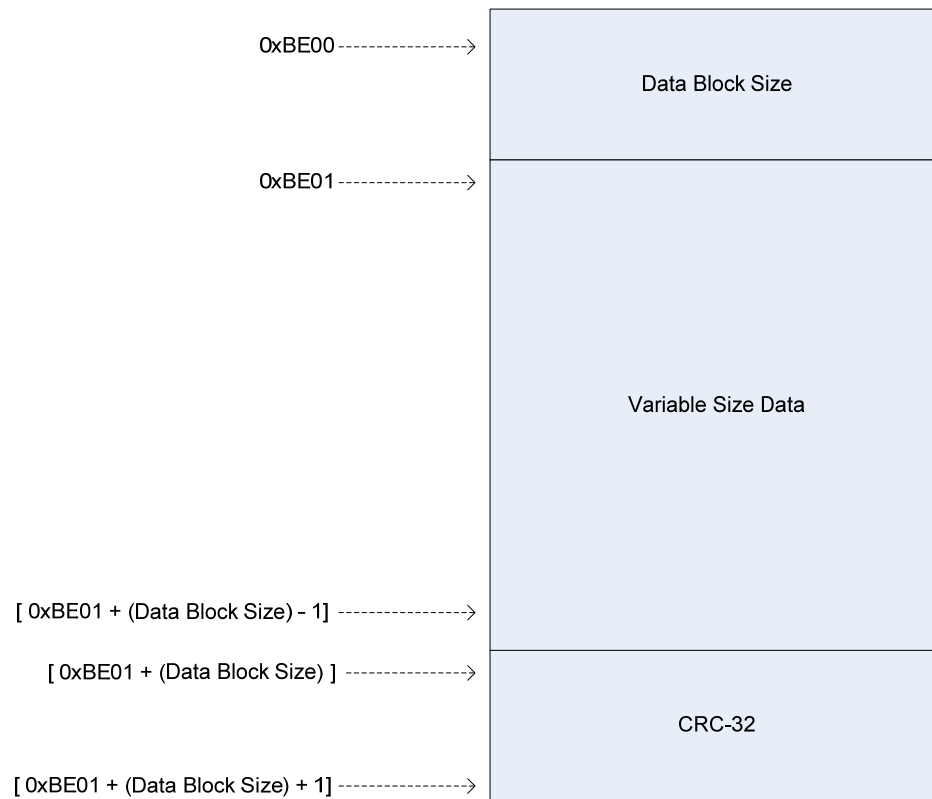


Figure 23: Module-to-Host Bulk Data Block Structure

6.3 MSA-100GLH Module Register Overview

An overview of register modification and additional register allocation required to support the MSA-100GLH Module application beyond the register allocation defined Sections 3 and 5 of this document is given in Table 30: MSA-100GLH Module Management Register Overview.

Additional registers are required for:

- a) MSA-100GLH Module Control and Digital Diagnostic Monitoring
- b) Network TX/RX Lanes
- c) Host TX/RX Lanes
- d) OTN and FEC Functionality (optional)
- e) Modulation dependent functionality (optional-informative)

1 ***Table 30: MSA-100GLH Module Management Register Overview***

Hex Addr Start	Hex Addr End	Access Type	Allocated Size	Data Bit Width	Description
0000	7FFF	N/A	32768	N/A	Reserved for IEEE 802.3 use.
8000	807F	RO	128	8	CFP NVR 1. Basic ID Registers
8080	80C6	RO	128	8	CFP NVR 2. Extended ID Registers
80C8	80FF				CFP NVR 2. MSA-100GLH Module Alarm/Warning Threshold Registers
8100	817F	RO	128	8	CFP NVR 3. Network Lane BOL Measurement Registers
8180	81FF	RO	128	8	CFP NVR 4. MSA-100GLH Extended ID Registers
8200	83FF	RO	4x128	N/A	MSA Reserved
8400	847F	RO	128	8	Vendor NVR 1. Vendor Data Registers
8480	84FF	RO	128	8	Vendor NVR 2. Vendor Data Registers
8500	87FF	RO	6x128	N/A	MSA Reserved
8800	887F	RW	128	8	User NVR 1. User Data Registers
8880	88FF	RW	128	8	User NVR 2. User Data Registers
8900	8EFF	RO	12x128	N/A	MSA Reserved
8F00	8FFF	N/A	2x128	N/A	Reserved for User private use
9000	9FFF	N/A	4096	N/A	Reserved for Vendor private use
B000	B07F	RW	128	16	MSA-100GLH Module VR1: Command/Setup/Control/FAWS Registers
B080	B17F	RO	2x128	N/A	MSA Reserved
B180	B2FF	RW	3x128	16	MSA-100GLH Module VR1: Network Lane FAWS/Status Registers
B300	B57F	RW	5x128	16	MSA-100GLH Module VR2: Network Lane Control/Data Registers
B580	B5FF	RW	128	16	MSA-100GLH Module VR2: Network Lane OTN/FEC-related Registers (Optional)
B600	B6FF	RW	2x128	16	MSA-100GLH Module VR1: Host Lane FAWS/Control/Status Registers
B700	B77F	RW	2x128	16	MSA-100GLH Module VR1: Host Lane OTN/FEC-related Registers (Optional)
B780	B7FF	RO	128	N/A	MSA Reserved
B800	BAFF	RW	6x128	16	MSA-100GLH Module VR2: Network Lane Modulation Format Dependent Registers (Optional-informative)
BB00	BBFF	RO	2x128	N/A	MSA Reserved
BC00	BFFF	RW	1024	16	MSA-100GLH Module VR2: Bulk Data Transfer Registers

2
3
4 **6.4 MSA-100GLH Module Register Description**
5 Detailed descriptions of registers added to the CFP module register set for supporting the
6 MSA-100GLH module management interface are listed in *Table 31* through *Table 40*.
7 These tables follow the convention and definitions outlined in Section 5/*Table 17*.
8

1
2
3
4

6.4.1 CFP NVR 1 Table: Modified Base ID Registers for MSA-100GLH

Table 31: CFP NVR 1 Modified Registers

CFP NVR 1						
Hex Addr	Size	Access Type	Bit	Register Name Bit Field Name	Description	LSB Unit
Base ID Information						
8000	1	RO	7~0	Module Identifier	Add: 10h: 168-pin 5" x7" MSA-100GLH 11h ~ FFh : Reserved.	N/A
8001	1	RO	7~6	Extended Identifier		N/A
				Power Class	These bits are only applicable to CFP Modules. They are not applicable to MSA-100GLH modules. See 0x8182h.	N/A
8007	1	RO		OTN Application Code	Add: 09h: P1I1-3D1 (NRZ 40G 1300nm, 10km) 0Ah ~ 0Fh: Reserved.	N/A
8008	1	RO	7	Additional Capable Rates Supported	Additional application rates module supporting.	N/A
				Reserved		0
				OTU4 w/ Enhanced FEC	0: Not supported, 1: Supported	N/A
			5	OTU3 w/ Enhanced FEC	0: Not supported, 1: Supported	N/A
800B	1	RO	7~0	Maximum Network Lane Bit Rate	8-bit value x 0.2 Gbps. These bits are only applicable to CFP Modules. They are not applicable to MSA-100GLH modules. See 0x8184h.	0.2 Gbps
8018	1	RO	7~4	Device Technology 1		N/A
				Laser Source Technology	Add: 0101b: External Cavity 0110b ~ 1111b: Reserved.	N/A
801D	1	RO	7~0	Maximum Power Consumption	Unsigned 8 bit value * 200 mW. These bits are only applicable to CFP Modules. They are not applicable to MSA-100GLH modules. See 0x8186h.	200 mW
801E	1	RO	7~0	Maximum Power Consumption in Low Power Mode	Unsigned 8 bit value * 20 mW. These bits are only applicable to CFP Modules. They are not applicable to MSA-100GLH modules. See 0x8188h.	20 mW
8074	1	RO	7~0	Host Lane Signal Spec	0: Unspecified, 1: CAUI, 2: XLAUI, 3: SFI-5.2, 4: SFI-S 5: OTL3.4 6: OTL4.10 7: OTL4.4 8: STL256.4 9~255: Reserved.	N/A
807B	2	RO	7~0	Module Firmware B Version Number	A two-register number in the format of x.y with x at lower address and y at higher address	N/A
807D	2	RO	7~0	Reserved		0

5
6

1
2
3
4
5

6.4.2 CFP NVR 2 Table: Additional Alarm/Warning Thresholds Registers for MSA-100GLH

Table 32: CFP NVR 2 Added Registers

CFP NVR 2						
Hex Addr	Size	Access Type	Bit	Register Name Bit Field Name	Description	LSB Unit
<i>Alarm/Warning Threshold Registers</i>						
8088	2	RO	7-0	VCC High Alarm Threshold	These thresholds are an unsigned 16-bit integer with LSB = 0.1 mV, representing a range of voltage from 0 to 6.5535 V. MSB stored at low address, LSB stored at high address. If Module Identifier (8000h) = 10h (168-pin 5x7 MSA 100GLH), then scale LSB unit by 2x.	0.1 mV
808A	2	RO	7-0	VCC High Warning Threshold		
808C	2	RO	7-0	VCC Low Warning Threshold		
808E	2	RO	7-0	VCC Low Alarm Threshold		
80C8	2	RO	7-0	RX Laser Bias Current High Alarm	Definition specified by module vendor. MSB stored at low address. LSB stored at high address.	
80CA	2	RO	7-0	RX Laser Bias Current High Warning	Definition specified by module vendor. MSB stored at low address. LSB stored at high address.	
80CC	2	RO	7-0	RX Laser Bias Current Low Warning	Definition specified by module vendor. MSB stored at low address. LSB stored at high address.	
80CE	2	RO	7-0	RX Laser Bias Current Low Alarm	Definition specified by module vendor. MSB stored at low address. LSB stored at high address.	
80D0	2	RO	7-0	RX Laser Output Power High Alarm	Definition specified by module vendor. MSB stored at low address. LSB stored at high address.	
80D2	2	RO	7-0	RX Laser Output Power High Warning	Definition specified by module vendor. MSB stored at low address. LSB stored at high address.	
80D4	2	RO	7-0	RX Laser Output Power Low Warning	Definition specified by module vendor. MSB stored at low address. LSB stored at high address.	
80D6	2	RO	7-0	RX Laser Output Power Low Alarm	Definition specified by module vendor. MSB stored at low address. LSB stored at high address.	
80D8	2	RO	7-0	RX Laser Temperature High Alarm	Definition specified by module vendor. MSB stored at low address. LSB stored at high address.	
80DA	2	RO	7-0	RX Laser Temperature High Warning	Definition specified by module vendor. MSB stored at low address. LSB stored at high address.	
80DC	2	RO	7-0	RX Laser Temperature Low Warning	Definition specified by module vendor. MSB stored at low address. LSB stored at high address.	
80DE	2	RO	7-0	RX Laser Temperature Low Alarm	Definition specified by module vendor. MSB stored at low address. LSB stored at high address.	
80E0	2	RO	7-0	TX Modulator Bias High Alarm	Definition specified by module vendor. MSB stored at low address. LSB stored at high address.	

CFP NVR 2						
Hex Addr	Size	Access Type	Bit	Register Name Bit Field Name	Description	LSB Unit
80E2	2	RO	7~0	TX Modulator Bias High Warning	Definition specified by module vendor. MSB stored at low address. LSB stored at high address.	
80E4	2	RO	7~0	TX Modulator Bias Low Warning	Definition specified by module vendor. MSB stored at low address. LSB stored at high address.	
80E6	2	RO	7~0	TX Modulator Bias Low Alarm	Definition specified by module vendor. MSB stored at low address. LSB stored at high address.	
80E8	23	RO	7~0	Reserved		0
80FF	1	RO	7~0	CFP NVR2 Checksum	The 8-bit unsigned sum of all CFP NVR 2 contents from address 8080h through 80FEh inclusive	NA

1
2
3
4
5
6
7

6.4.3 CFP NVR 3 Table: Network Lane BOL Measurement Registers

Table 33: CFP NVR 3 Network Lane BOL Measurement Registers

CFP NVR 3						
Hex Addr	Size	Access Type	Bit	Register Name Bit Field Name	Description	LSB Unit
<i>Network Lane BOL Measurements</i>						
8100	32	RO	7~0	RX Sensitivity Spec for network lanes 0 ~ 15. (Optional)	RX Sensitivity measured in dBm @ BER=1e-12 at Typical condition. The value is a signed 16-bit integer with LSB = 0.01dBm. It uses two register addresses each for a total 32 register addresses for total 16 lanes.	0.01 dBm
8120	32	RO	7~0	TX Power Spec for network lanes 0 ~ 15. (Optional)	TX Power measured in dBm at typical condition. The value is a signed 16-bit integer with LSB = 0.01dBm. It uses two register addresses each for a total 32 register addresses for total 16 lanes.	0.01 dBm
8140	32	RO	7~0	Measured ER for network lanes 0 ~ 15. (Optional)	Measured Extinction ratio at Typical condition in dB. The value is an unsigned 16-bit integer with LSB = 0.01dB. It uses two register addresses each for a total 32 register addresses for total 16 lanes.	0.01 dB
8160	32	RO	7~0	Path Penalty for network lanes 0 ~ 15. (Optional)	Path penalty @worst CD at Typical condition. The value is an unsigned 16-bit integer with LSB = 0.01dB. It uses two register addresses each for a total 32 register addresses for total 16 lanes.	0.01 dB

8
9

1 **6.4.4 CFP NVR 4 Table: Additional Registers for MSA-100GLH**

2
3

Table 34: CFP NVR 4 Registers

CFP NVR 4						
Hex Add	Size	Access Type	Bit	Register Name Bit Field Name	Description	LSB Unit
<i>MSA-100GLH Extended Identifiers</i>						
8180	1	RO	7~0	CFP NVR 3 Checksum	The 8-bit unsigned sum of all CFP NVR 3 contents from address 8100h through 817Fh inclusive.	N/A
8181	1	RO	7~0	Reserved		N/A
8182	2	RO		Extended Identifiers	MSB stored at low address. LSB stored at high address.	
			15~2	Reserved		0
			1~0	Extended Power Class	00b: Power Class 4 Module (≤32W max); 01b: Power Class 5 Module (≤64W max); 10b: Power Class 6 Module (≤80W max); 11b: Reserved	00b
8184	2	RO	15~0	Extended Maximum Network Lane Bit Rate	Unsigned 16-bit value x 0.1 Gbps. MSB stored at low address. LSB stored at high address.	N/A
8186	2	RO	15~0	Extended Maximum Power Consumption	Unsigned 16-bit value x 10 mW. MSB stored at low address. LSB stored at high address.	N/A
8188	2	RO	15~0	Extended Maximum Power Consumption in Low Power Mode	Unsigned 16-bit value x 1 mW. MSB stored at low address. LSB stored at high address.	N/A
818A	2	RO	15~0	TX/RX Minimum Laser Frequency 1	An unsigned 16-bit integer with LSB = 1THz. MSB stored at low address. LSB stored at high address.	N/A
818C	2	RO	15~0	TX/RX Minimum Laser Frequency 2	An unsigned 16-bit integer with LSB = 0.05 GHz. Value should not exceed 19999. MSB stored at low address. LSB stored at high address.	N/A
818E	2	RO	15~0	TX/RX Maximum Laser Frequency 1	An unsigned 16-bit integer with LSB = 1THz. MSB stored at low address. LSB stored at high address.	N/A
8190	2	RO	15~0	TX/RX Maximum Laser Frequency 2	An unsigned 16-bit integer with LSB = 0.05 GHz. Value should not exceed 19999. MSB stored at low address. LSB stored at high address.	N/A
8192	2	RO	15~0	RX Laser Fine Tune Frequency Range (FTF) (Optional)	An unsigned 16-bit integer with LSB = 1 MHz. The range covers the min/max range symmetrically about 0. Set to zero if FTF is not supported. MSB stored at low address. LSB stored at high address.	0000h
8194	2	RO	15~0	TX Laser Fine Tune Frequency Range (FTF) (Optional)	An unsigned 16-bit integer with LSB = 1 MHz. The range covers the min/max range symmetrically about 0. Set to zero if FTF is not supported. MSB stored at low address. LSB stored at high address.	0000h
8196	2	RO		Laser Tuning Capabilities	MSB stored at low address. LSB stored at high address.	
			15	6.25 GHz Grid Spacing	1 = Supported, 0 = Not Supported	N/A
			14	12.5 GHz Grid Spacing	1 = Supported, 0 = Not Supported	N/A

			13	25 GHz Grid Spacing	1 = Supported, 0 = Not Supported	N/A
			12	33 GHz Grid Spacing	1 = Supported, 0 = Not Supported	N/A
			11	50 GHz Grid Spacing	1 = Supported, 0 = Not Supported	N/A
			10	100 GHz Grid Spacing	1 = Supported, 0 = Not Supported	N/A
			9~0	Maximum Channels	Maximum channels supported based on minimum grid spacing supported	N/A
8198	103	RO	7~0	Reserved		N/A
81FF	1	RO	7~0	CFP NVR 4 Checksum	The 8-bit unsigned sum of all CFP NVR 4 contents from address 8181h through 81FEh inclusive.	N/A

1
2
3
4
5
6
7
8
9

6.4.5 MSA-100GLH Module VR 1

Table 35: MSA-100GLH Module VR 1 Registers lists all registers related to module level command/setup, control and status information and functions necessary to support the MSA-100GLH Module application.

Table 35: MSA-100GLH Module VR 1 Registers

MSA-100GLH Module VR 1						
Hex Addr.	Size	Access Type	Bit	Register Name Bit Field Name	Description	Init Value
Module Command/Setup Registers						
B000	2	WO	15~0	Password Entry (Optional)	Password for module register access control. 2-word value. MSW is in lower address.	0000h 0000h
B002	2	WO	15~0	Password Change (Optional)	New password entry. A 2-word value. MSW is in lower address.	0000h 0000h
B004	1			NVR Access Control	User NVRs Restore/Save command. Refer to 4.10.2 for details.	0000h
		RW	15~9	Reserved	Vendor specific.	0
		RO	8~6	Reserved		000b
		RW	5	User Restore and Save Command	0: Restore the User NVR section, 1: Save the User NVR section.	0
		RO	4	Reserved		0
		RO	3~2	Command Status	00b: Idle, 01b: Command completed successfully, 10b: Command in progress, 11b: Command failed.	00b
B005	1			PRG_CNTL3 Function Select	Selects, and assigns, a control function to PRG_CNTL3.	0000h
		RO	15~8	Reserved		00h
		RW	7~0	Function Select Code	This multi-function input is used as HW_IL_MSB during the Initialize State and it can be programmed to other functions afterward. HW_IL functionality is not applicable to non-pluggable modules, such as OIF MSA-100GLH. 0: No effect,	00h

MSA-100GLH Module VR 1						
Hex Addr.	Size	Access Type	Bit	Register Name Bit Field Name	Description	Init Value
					1: Assign TRXIC_RSTn function to hardware pins PRG_CNTL3. When so assigned this pin uses the active low logic, that is, 0 = Assert (Reset). Note that when so assigned, its soft counterpart Soft PRG_CNTL3 Control (B010h.12) uses an active high logic, that is, 1 = Assert (Reset). 2~127: Reserved - MSA 128~255: Reserved – Vendor-Specific Functions	
B006	1			PRG_CNTL2 Function Select	Selects, and assigns, a control function to PRG_CNTL2.	0000h
		RO	15~8	Reserved		00h
		RW	7~0	Function Select Code	This multi-function input is used as HW_IL_LSB during the Initialize State and it can be programmed to other functions afterward. HW_IL functionality is not applicable to non-pluggable modules, such as OIF MSA-100GLH. 0: No effect, 1: Assign TRXIC_RSTn function to hardware pins PRG_CNTL2. When so assigned this pin uses the active low logic, that is, 0 = Assert (Reset). Note that when so assigned, its soft counterpart Soft PRG_CNTL2 Control (A010h.11) uses an active high logic, that is, 1 = Assert (Reset). 2~127: Reserved - MSA 128~255: Reserved – Vendor-Specific Functions	00h
B007	1			PRG_CNTL1 Function Select	Selects, and assigns, a control function to PRG_CNTL1.	0001h
		RO	15~8	Reserved		00h
		RW	7~0	Function Select Code	0: No effect, 1: Assign TRXIC_RSTn function to hardware pins PRG_CNTL1. When so assigned this pin uses the active low logic, that is, 0 = Assert (Reset). Note that when so assigned, its soft counterpart Soft PRG_CNTL1 Control (A010h.10) uses an active high logic, that is, 1 = Assert (Reset). TRXIC_RSTn is the CFP MSA default function for PRG_CNTL1. 2~127: Reserved - MSA 128~255: Reserved – Vendor-Specific Functions	01h
B008	1			PRG_ALARM3 Source Select	Selects, and assigns, an alarm source for PRG_ALARM3.	0003h
		RO	15~8	Reserved		00h
		RW	7~0	Alarm Source Code	0: Not active, always de-asserted, 1: HIPWR_ON, 2: Ready State, 3: Fault State, MSA default setting, 4: RX_ALARM = RX_LOS + RX_NETWORK_LOL, 5: TX_ALARM = TX_LOSF + TX_HOST_LOL + TX_CMU_LOL, 6: RX_NETWORK_LOL, 7: TX_LOSF, 8: TX_HOST_LOL, 9: OOA, Out of alignment, (Only applicable to certain products. If not implemented in the module, Writing 9 to this register has no effect and shall be read as 0. This is also true for Registers B009h and B00Ah). 10: Module Write Ready 11~127: Reserved - MSA 128~255: Reserved – Vendor-Specific Functions	03h
B009	1			PRG_ALARM2 Source Select	Selects, and assigns, an alarm source for PRG_ALARM2.	0002h
		RO	15~8	Reserved		00h

MSA-100GLH Module VR 1						
Hex Addr.	Size	Access Type	Bit	Register Name Bit Field Name	Description	Init Value
		RW	7~0	Alarm Source Code	0: Not active, always de-asserted, 1: HIPWR_ON, 2: Ready State, MSA default setting, 3: Fault State, 4: RX_ALARM = RX_LOS + RX_NETWORK_LOL, 5: TX_ALARM = TX_LOSF + TX_HOST_LOL + TX_CMU_LOL, 6: RX_NETWORK_LOL, 7: TX_LOSF, 8: TX_HOST_LOL, 9: OOA, Out of alignment, refer to description of B008h for details, 10: Module Write Ready 11~127: Reserved - MSA 128~255: Reserved – Vendor-Specific Functions	02h
B00A	1			PRG_ALARM1 Source Select	Selects, and assigns, an alarm source for PRG_ALARM1.	0001h
		RO	15~8	Reserved		00h
		RW	7~0	Alarm Source Code	0: Not active, always de-asserted, 1: HIPWR_ON, MSA default setting, 2: Ready State, 3: Fault State, 4: RX_ALARM = RX_LOS + RX_NETWORK_LOL, 5: TX_ALARM = TX_LOSF + TX_HOST_LOL + TX_CMU_LOL, 6: RX_NETWORK_LOL, 7: TX_LOSF, 8: TX_HOST_LOL, 9: OOA, Out of alignment, refer to description of B008h for details, 10: Module Write Ready 11~127: Reserved - MSA 128~255: Reserved – Vendor-Specific Functions	01h
B00B	1			Module Operating Control		0000h
		RO	15~14	Reserved		0
		RW	13	RX FEC correction Disable (optional)	0 : RX FEC Correction Enabled 1 : RX FEC Correction Disabled	0b
		RW	12	TX FEC correction Disable (optional)	0 : TX FEC Correction Enabled 1 : TX FEC Correction Disabled	0b
		RW/SC	11	Performance Monitor Tick Synchronization	0: Normal 1: Synchronizes the current one second interval as the start of the multi-second performance monitor data accumulation period specified by the Performance Monitor Interval field	0b
		RW	10	Performance Monitor Tick Source	0: Internal 1: External (PM_SYNC Pin)	0b
		RW	9~4	Performance Monitor Interval	Performance monitoring interval 0~63: Represents the number of one second Performance Monitor Tick Intervals plus one for which the Module will accumulate and provide Performance Monitor data. A value of 0 will result in the module providing PM data every 1 second. A value of 9 will result in the module providing PM data every 10 seconds.	00h
		RW	3	Host Interface SFI-S Enable	Used only for 40G operation with legacy SFI-S hosts. 0: Disabled, 1: Enabled	0
		RW	2~0	Module Bi/uni-direction mode Select	000b: Normal bi-directional mode, 001b: Uni-direction TX only mode (optional), 010b: Uni-direction RX only mode (optional), 011b: Special bi-directional mode (optional), 100b~111b: Reserved.	000b
B00C	1	RO	15~0	Command Error Address	Address of last command that had an error	0000h
B00D	1	RO	15~0	Command Error Data	Command data written of last command that generated	0000h

MSA-100GLH Module VR 1						
Hex Addr.	Size	Access Type	Bit	Register Name Bit Field Name	Description	Init Value
					an error	
B00E	1	RO	15~0	Command Error Data Mask	Mask signifying which bits of command data generated error	0000h
B00F	1	RO		Command Error Status	Provides reason of last command that generated an error	0000h
			15	Out of Range Value	0: No Error, 1: Error	0
			14	Incorrect Value	0: No Error, 1: Error	0
			13	Command Not Valid	0: No Error, 1: Error	0
			12	MDIO Write Done while Module Busy	0: No Error, 1: Error	0
			11	Vendor Specific Error	0: No Error, 1: Error	0
			10~0	Reserved		0
Module Control Registers						
B010	1			Module General Control		0000h
		RW/SC/LH	15	Soft Module Reset	Register bit for module reset function. Writing a 0 to this bit has no effect regardless it was 0 or 1 previously. 1: Module reset assert.	0
		RW	14	Soft Module Low Power	Register bit for module low power function. 1: Assert.	0
		RW	13	Soft TX Disable	Register bit for TX Disable function. 1: Assert.	0
		RW	12	Soft PRG_CNTL3 Control	Register bit for PRG_CNTL3 control function. 1: Assert.	0
		RW	11	Soft PRG_CNTL2 Control	Register bit for PRG_CNTL2 control function. 1: Assert.	0
		RW	10	Soft PRG_CNTL1 Control	Register bit for PRG_CNTL1 control function. 1: Assert.	0
		RW	9	Soft GLB_ALRM Test	Command bit for software forced test signal. When this bit is asserted it generates GLB_ALRM signal. 1: Assert.	0
		RW/SC	8	Processor Reset	Register bit for processor reset function. This bit is self-clearing. Register settings are not affected. This is a Non-Service Affecting reset. 1: Assert.	0
		RO	7~6	Reserved		0
		RO	5	TX_DIS Pin State	Logical state of the TX_DIS pin. 1: Assert.	0
		RO	4	MOD_LOPWR Pin State	Logical state of the MOD_LOPWR pin. 1: Assert.	0
		RO	3	PRG_CNTL3 Pin State	Logical state of the PRG_CNTL3 pin. 1: Assert.	0
		RO	2	PRG_CNTL2 Pin State	Logical state of the PRG_CNTL2 pin. 1: Assert.	0
		RO	1	PRG_CNTL1 Pin State	Logical state of the PRG_CNTL1 pin. 1: Assert.	0
		RO	0	Reserved		0
B011	1			Network Lane TX Control	This control acts upon all the network lanes.	0200h
		RO	15	Reserved		0
		RW	14	TX PRBS Generator Enable	0: Normal operation, 1: PRBS mode. (Optional)	0
		RW	13~12	TX PRBS Pattern	00b:2^7, 01b:2^15, 10b:2^23, 11b:2^31.	00b
		RW	11	TX De-skew Enable	0:Normal, 1:Disable	0
		RW	10	TX FIFO Reset	This bit affects both host and network side TX FIFOs. 0: Normal operation, 1: Reset (Optional).	0
		RW	9	TX FIFO Auto Reset	This bit affects both host and network side TX FIFOs. 0: Not Auto Reset, 1: Auto Reset. (Optional).	1

MSA-100GLH Module VR 1						
Hex Addr.	Size	Access Type	Bit	Register Name Bit Field Name	Description	Init Value
		RW	8	TX Reset	0: Normal operation, 1: Reset. Definition and implementation are vendor specific.	0
		RW	7~5	TX MCLK Control	000b: Disabled, 001b: Reserved, 010b: 1/8 of network lane rate, 011b: Reserved, 100b: 1/64 of network lane rate, 101b: 1/64 of host lane rate, 110b: 1/16 of network lane rate, 111b: 1/16 of host lane rate.	000b
		RO	4	Reserved		0b
		RW	3~1	TX Rate Select (10G lane rate)	000b: GbE=10.31, 001b:SDH=9.95, 010b:OTU3=10.7, 011b:OTU4=11.2, 100b:OTU3e1=11.14, 101b OTU3e2=11.15, 110b~111b: Reserved.	000b
		RW	0	TX Reference CLK Rate Select	0: 1/16, 1: 1/64.	0b
B012	1			Network Lane RX Control	This control acts upon all the network lanes.	0200h
		RW	15	Active Decision Voltage and Phase function	This bit activates the active decision voltage and phase function in the module. 0: not active, 1: active. (Optional)	0b
		RW	14	RX PRBS Checker Enable	0: Normal operation, 1: PRBS mode. (Optional)	0b
		RW	13~12	RX PRBS Pattern	00b: 2 ⁷ , 01b: 2 ¹⁵ , 10b: 2 ²³ , 11b: 2 ³¹ .	00b
		RW	11	RX Lock RX_MCLK to Reference CLK	0: Normal operation, 1: Lock RX_MCLK to REFCLK.	0b
		RW	10	Network Lane Loop-back	0: Normal operation, 1: Network lane loop-back. (Optional)	0b
		RW	9	RX FIFO Auto Reset	0: Not auto reset, 1: Auto reset. (Optional).	1b
		RW	8	RX Reset	0: Normal operation, 1: Reset. Definition and implementation are vendor specific.	0b
		RW	7~5	RX MCLK Control	000b: Disabled, 001b: Reserved, 010b: 1/8 of network lane rate, 011b: Reserved, 100b: 1/64 of network lane rate, 101b: 1/64 of host lane rate, 110b: 1/16 of network lane rate, 111b: 1/16 of host lane rate.	000b
		RW	4	RX FIFO Reset	0: Normal, 1: Reset. (Optional).	0b
		RW	3~1	RX Rate Select	000b: GbE=10.31, 001b:SDH=9.95, 010b:OTU3=10.7, 011b:OTU4=11.2, 100b:OTU3e1=11.14, 101b OTU3e2=11.15, 110b~111b: Reserved.	000b
		RW	0	RX Reference CLK Rate Select	0: 1/16, 1: 1/64.	1b
B013	1	RW		Individual Network Lane TX_DIS Control	This register acts upon individual network lanes. Note that toggling individual network lane TX disable bit does not change module state.	0000h
			15	Lane 15 Disable	0: Normal, 1: Disable.	0
			14	Lane 14 Disable	0: Normal, 1: Disable.	0
			13	Lane 13 Disable	0: Normal, 1: Disable.	0
			12	Lane 12 Disable	0: Normal, 1: Disable.	0

MSA-100GLH Module VR 1						
Hex Addr.	Size	Access Type	Bit	Register Name Bit Field Name	Description	Init Value
			11	Lane 11 Disable	0: Normal, 1: Disable.	0
			10	Lane 10 Disable	0: Normal, 1: Disable.	0
			9	Lane 9 Disable	0: Normal, 1: Disable.	0
			8	Lane 8 Disable	0: Normal, 1: Disable.	0
			7	Lane 7 Disable	0: Normal, 1: Disable.	0
			6	Lane 6 Disable	0: Normal, 1: Disable.	0
			5	Lane 5 Disable	0: Normal, 1: Disable.	0
			4	Lane 4 Disable	0: Normal, 1: Disable.	0
			3	Lane 3 Disable	0: Normal, 1: Disable.	0
			2	Lane 2 Disable	0: Normal, 1: Disable.	0
			1	Lane 1 Disable	0: Normal, 1: Disable.	0
			0	Lane 0 Disable	0: Normal, 1: Disable.	0
B014	1			Host Lane Control	This control acts upon all the host lanes.	0000h
		RO	15	Reserved		0
		RW	14	TX PRBS Checker Enable	0: Normal operation, 1: PRBS mode. (Optional)	0
		RW	13	TX PRBS Pattern 1	00:2^7, 01:2^15, 10:2^23, 11:2^31.	00b
		RW	12	TX PRBS Pattern 0		
		RO	11	Reserved		0
		RW	10	Host Lane Loop-back Enable	0: Normal operation, 1: Host lane loop-back. (Optional)	0
		RO	9	Reserved		0
		RO	8	Reserved		0
		RW	7	RX PRBS Generator Enable	0: Normal operation, 1: PRBS mode. (Optional)	0
		RW	6	RX PRBS Pattern 1	00b: 2^7, 01b: 2^15, 10b: 2^23, 11b: 2^31.	00b
		RW	5	RX PRBS Pattern 0		
		RO	4~0	Reserved		0h
B015	1	RO		Reserved		0000h
Module State Register						
B016	1	RO		Module State	MSA-100GLH Module state. Only a single bit set at any time.	0000h
			15~9	Reserved		0
			8	High-Power-down State	1: Corresponding state is active. Word value = 0100h.	0
			7	TX-Turn-off State	1: Corresponding state is active. Word value = 0080h.	0
			6	Fault State	1: Corresponding state is active. Word value = 0040h. (Also referred to as MOD_FAULT)	0
			5	Ready State	1: Corresponding state is active. Word value = 0020h. (Also referred to as MOD_READY)	0
			4	TX-Turn-on State	1: Corresponding state is active. Word value = 0010h.	0
			3	TX-Off State	1: Corresponding state is active. Word value = 0008h.	0
			2	High-Power-up State	1: Corresponding state is active. Word value = 0004h.	0
			1	Low-Power State	1: Corresponding state is active. Word value = 0002h.	0
			0	Initialize State	1: Corresponding state is active. Word value = 0001h.	0
Module Alarm Summary Registers						
B017	1	RO		Network/Host Alarm Status Summary		
			15	Host TX OTN Status Summary (Optional)	Logical OR of all the enabled bits of Host TX OTN Status Latch register	0
			14	Host TX Alignment Status Summary	Logical OR of all the enabled bits of Host TX Alignment Status Latch register	0
			13	Host RX Alignment Status Summary	Logical OR of all the enabled bits of Host RX Alignment Status Latch register	0
			12	Network RX OTN Status Summary (Optional)	Logical OR of all the enabled bits of Network RX OTN Status Latch register	0
			11	Network RX Alignment Status Summary	Logical OR of all the enabled bits of Network RX Alignment Status Latch register	0

MSA-100GLH Module VR 1						
Hex Addr.	Size	Access Type	Bit	Register Name Bit Field Name	Description	Init Value
			10	Network TX Alignment Status Summary	Logical OR of all the enabled bits of Network TX Alignment Status Latch register	0
			9~0	Reserved		0
B018	1	RO		Global Alarm Summary		
			15	GLB_ALARM Assertion Status	Internal status of global alarm output. 1: Asserted.	0
			14	Host Lane Fault and Status Summary	Logical OR of all the enabled bits of Host Lane Fault and Status Summary register.	0
			13	Network Lane Fault and Status Summary	Logical OR of all the bits in the Network Lane Fault and Status Summary register.	0
			12	Network Lane Alarm and Warning 1 Summary	Logical OR of all the bits in the Network Lane Alarm and Warning 1 Summary register.	0
			11	Module Alarm and Warning 2 Summary	Logical OR of all the enabled bits of Module Alarm and Warning 2 Latch register.	0
			10	Module Alarm and Warning 1 Summary	Logical OR of all the enabled bits of Module Alarm and Warning 1 Latch register.	0
			9	Module Fault Summary	Logical OR of all the enabled bits of Module Fault Status Latch register.	0
			8	Module General Status Summary	Logical OR of all the enabled bits of Module General Status Latch register.	0
			7	Module State Summary	Logical OR of all the enabled bits of Module State Latch register.	0
			6	Network Lane Alarm and Warning 2 Summary	Logical OR of all the enabled bits of Network Lane Alarm and Warning 2 Summary register	0
			5	Network/Host Alarm Status Summary	Logical OR of all the enable bits of Network/Host Alarm Status Summary register.	0
			4	Module Extended Functions Status Summary	Logical OR of all the enabled bits of Module Extended Functions Latch register.	0
			3~1	Reserved		0
0	Soft GLB_ALARM Test Status	Soft GLB_ALARM Test bit Status.	0			
B019	1	RO		Network Lane Alarm and Warning 1 Summary	Each bit is the logical OR of all enabled bits in each of Network Lane Alarm and Warning 1 Latch registers.	0000h
			15	Lane 15 Alarm and Warning 1 Summary	Logical OR of all enabled bits in Latched Lane 15 Network Lane Alarm and Warning 1 Register. 1=Fault asserted.	0
			14	Lane 14 Alarm and Warning 1 Summary	Logical OR of all enabled bits in Latched Lane 14 Network Lane Alarm and Warning 1 Register. 1=Fault asserted.	0
			13	Lane 13 Alarm and Warning 1 Summary	Logical OR of all enabled bits in Latched Lane 13 Network Lane Alarm and Warning 1 Register. 1=Fault asserted.	0
			12	Lane 12 Alarm and Warning 1 Summary	Logical OR of all enabled bits in Latched Lane 12 Network Lane Alarm and Warning 1 Register. 1=Fault asserted.	0
			11	Lane 11 Alarm and Warning 1 Summary	Logical OR of all enabled bits in Latched Lane 11 Network Lane Alarm and Warning 1 Register. 1=Fault asserted.	0
			10	Lane 10 Alarm and Warning 1 Summary	Logical OR of all enabled bits in Latched Lane 10 Network Lane Alarm and Warning 1 Register. 1=Fault asserted.	0
			9	Lane 9 Alarm and Warning 1 Summary	Logical OR of all enabled bits in Latched Lane 9 Network Lane Alarm and Warning 1 Register. 1=Fault asserted.	0
			8	Lane 8 Alarm and Warning 1 Summary	Logical OR of all enabled bits in Latched Lane 8 Network Lane Alarm and Warning 1 Register. 1=Fault asserted.	0
			7	Lane 7 Alarm and Warning 1 Summary	Logical OR of all enabled bits in Latched Lane 7 Network Lane Alarm and Warning 1 Register. 1=Fault asserted.	0
			6	Lane 6 Alarm and Warning 1 Summary	Logical OR of all enabled bits in Latched Lane 6 Network Lane Alarm and Warning 1 Register. 1=Fault asserted.	0
			5	Lane 5 Alarm and Warning 1 Summary	Logical OR of all enabled bits in Latched Lane 5 Network Lane Alarm and Warning 1 Register. 1=Fault asserted.	0
			4	Lane 4 Alarm and Warning 1 Summary	Logical OR of all enabled bits in Latched Lane 4 Network Lane Alarm and Warning 1 Register. 1=Fault asserted.	0
			3	Lane 3 Alarm and Warning	Logical OR of all enabled bits in Latched Lane 3 Network	0

MSA-100GLH Module VR 1						
Hex Addr.	Size	Access Type	Bit	Register Name Bit Field Name	Description	Init Value
			1	Summary	Lane Alarm and Warning 1 Register. 1=Fault asserted.	
			2	Lane 2 Alarm and Warning 1 Summary	Logical OR of all enabled bits in Latched Lane 2 Network Lane Alarm and Warning 1 Register. 1=Fault asserted.	0
			1	Lane 1 Alarm and Warning 1 Summary	Logical OR of all enabled bits in Latched Lane 1 Network Lane Alarm and Warning 1 Register. 1=Fault asserted.	0
			0	Lane 0 Alarm and Warning 1 Summary	Logical OR of all enabled bits in Latched Lane 0 Network Lane Alarm and Warning 1 Register. 1=Fault asserted.	0
B01A	1	RO		Network Lane Fault and Status Summary	Each bit is the logical OR of all enabled bits in each of the Network Lane fault and Status Latch registers.	0000h
			15	Lane 15 Fault and Status Summary	Logical OR of all enabled bits in Latched Lane 15 Network Lane Fault and Status Register. 1=Fault asserted.	0
			14	Lane 14 Fault and Status Summary	Logical OR of all enabled bits in Latched Lane 14 Network Lane Fault and Status Register. 1=Fault asserted.	0
			13	Lane 13 Fault and Status Summary	Logical OR of all enabled bits in Latched Lane 13 Network Lane Fault and Status Register. 1=Fault asserted.	0
			12	Lane 12 Fault and Status Summary	Logical OR of all enabled bits in Latched Lane 12 Network Lane Fault and Status Register. 1=Fault asserted.	0
			11	Lane 11 Fault and Status Summary	Logical OR of all enabled bits in Latched Lane 11 Network Lane Fault and Status Register. 1=Fault asserted.	0
			10	Lane 10 Fault and Status Summary	Logical OR of all enabled bits in Latched Lane 10 Network Lane Fault and Status Register. 1=Fault asserted.	0
			9	Lane 9 Fault and Status Summary	Logical OR of all enabled bits in Latched Lane 9 Network Lane Fault and Status Register. 1=Fault asserted.	0
			8	Lane 8 Fault and Status Summary	Logical OR of all enabled bits in Latched Lane 8 Network Lane Fault and Status Register. 1=Fault asserted.	0
			7	Lane 7 Fault and Status Summary	Logical OR of all enabled bits in Latched Lane 7 Network Lane Fault and Status Register. 1=Fault asserted.	0
			6	Lane 6 Fault and Status Summary	Logical OR of all enabled bits in Latched Lane 6 Network Lane Fault and Status Register. 1=Fault asserted.	0
			5	Lane 5 Fault and Status Summary	Logical OR of all enabled bits in Latched Lane 5 Network Lane Fault and Status Register. 1=Fault asserted.	0
			4	Lane 4 Fault and Status Summary	Logical OR of all enabled bits in Latched Lane 4 Network Lane Fault and Status Register. 1=Fault asserted.	0
			3	Lane 3 Fault and Status Summary	Logical OR of all enabled bits in Latched Lane 3 Network Lane Fault and Status Register. 1=Fault asserted.	0
			2	Lane 2 Fault and Status Summary	Logical OR of all enabled bits in Latched Lane 2 Network Lane Fault and Status Register. 1=Fault asserted.	0
			1	Lane 1 Fault and Status Summary	Logical OR of all enabled bits in Latched Lane 1 Network Lane Fault and Status Register. 1=Fault asserted.	0
			0	Lane 0 Fault and Status Summary	Logical OR of all enabled bits in Latched Lane 0 Network Lane Fault and Status Register. 1=Fault asserted.	0
B01B	1	RO		Host Lane Fault and Status Summary	Each bit is the logical OR of all enabled bits in each of the Host Lane fault and Status Latch registers	0000h
			15	Lane 15 Fault and Status Summary	Logical OR of all enabled bits in Latched Lane 15 Host Lane Fault and Status Register. 1=Fault asserted.	0
			14	Lane 14 Fault and Status Summary	Logical OR of all enabled bits in Latched Lane 14 Host Lane Fault and Status Register. 1=Fault asserted.	0
			13	Lane 13 Fault and Status Summary	Logical OR of all enabled bits in Latched Lane 13 Host Lane Fault and Status Register. 1=Fault asserted.	0
			12	Lane 12 Fault and Status Summary	Logical OR of all enabled bits in Latched Lane 12 Host Lane Fault and Status Register. 1=Fault asserted.	0
			11	Lane 11 Fault and Status Summary	Logical OR of all enabled bits in Latched Lane 11 Host Lane Fault and Status Register. 1=Fault asserted.	0
			10	Lane 10 Fault and Status Summary	Logical OR of all enabled bits in Latched Lane 10 Host Lane Fault and Status Register. 1=Fault asserted.	0
			9	Lane 9 Fault and Status Summary	Logical OR of all enabled bits in Latched Lane 9 Host Lane Fault and Status Register. 1=Fault asserted.	0
			8	Lane 8 Fault and Status	Logical OR of all enabled bits in Latched Lane 8 Host Lane	0

MSA-100GLH Module VR 1						
Hex Addr.	Size	Access Type	Bit	Register Name Bit Field Name	Description	Init Value
				Summary	Fault and Status Register. 1=Fault asserted.	
			7	Lane 7 Fault and Status Summary	Logical OR of all enabled bits in Latched Lane 7 Host Lane Fault and Status Register. 1=Fault asserted.	0
			6	Lane 6 Fault and Status Summary	Logical OR of all enabled bits in Latched Lane 6 Host Lane Fault and Status Register. 1=Fault asserted.	0
			5	Lane 5 Fault and Status Summary	Logical OR of all enabled bits in Latched Lane 5 Host Lane Fault and Status Register. 1=Fault asserted.	0
			4	Lane 4 Fault and Status Summary	Logical OR of all enabled bits in Latched Lane 4 Host Lane Fault and Status Register. 1=Fault asserted.	0
			3	Lane 3 Fault and Status Summary	Logical OR of all enabled bits in Latched Lane 3 Host Lane Fault and Status Register. 1=Fault asserted.	0
			2	Lane 2 Fault and Status Summary	Logical OR of all enabled bits in Latched Lane 2 Host Lane Fault and Status Register. 1=Fault asserted.	0
			1	Lane 1 Fault and Status Summary	Logical OR of all enabled bits in Latched Lane 1 Host Lane Fault and Status Register. 1=Fault asserted.	0
			0	Lane 0 Fault and Status Summary	Logical OR of all enabled bits in Latched Lane 0 Network Lane Fault and Status Register. 1=Fault asserted.	0
B01C	1	RO		Network Lane Alarm and Warning 2 Summary	Each bit is the logical OR of all enabled bits in each of Network Lane Alarm and Warning 2 Latch registers.	0000h
			15	Lane 15 Alarm and Warning 2 Summary	Logical OR of all enabled bits in Latched Lane 15 Network Lane Alarm and Warning 2 Register. 1=Fault asserted.	0
			14	Lane 14 Alarm and Warning 2 Summary	Logical OR of all enabled bits in Latched Lane 14 Network Lane Alarm and Warning 2 Register. 1=Fault asserted.	0
			13	Lane 13 Alarm and Warning 2 Summary	Logical OR of all enabled bits in Latched Lane 13 Network Lane Alarm and Warning 2 Register. 1=Fault asserted.	0
			12	Lane 12 Alarm and Warning 2 Summary	Logical OR of all enabled bits in Latched Lane 12 Network Lane Alarm and Warning 2 Register. 1=Fault asserted.	0
			11	Lane 11 Alarm and Warning 2 Summary	Logical OR of all enabled bits in Latched Lane 11 Network Lane Alarm and Warning 2 Register. 1=Fault asserted.	0
			10	Lane 10 Alarm and Warning 2 Summary	Logical OR of all enabled bits in Latched Lane 10 Network Lane Alarm and Warning 2 Register. 1=Fault asserted.	0
			9	Lane 9 Alarm and Warning 2 Summary	Logical OR of all enabled bits in Latched Lane 9 Network Lane Alarm and Warning 2 Register. 1=Fault asserted.	0
			8	Lane 8 Alarm and Warning 2 Summary	Logical OR of all enabled bits in Latched Lane 8 Network Lane Alarm and Warning 2 Register. 1=Fault asserted.	0
			7	Lane 7 Alarm and Warning 2 Summary	Logical OR of all enabled bits in Latched Lane 7 Network Lane Alarm and Warning 2 Register. 1=Fault asserted.	0
			6	Lane 6 Alarm and Warning 2 Summary	Logical OR of all enabled bits in Latched Lane 6 Network Lane Alarm and Warning 2 Register. 1=Fault asserted.	0
			5	Lane 5 Alarm and Warning 2 Summary	Logical OR of all enabled bits in Latched Lane 5 Network Lane Alarm and Warning 2 Register. 1=Fault asserted.	0
			4	Lane 4 Alarm and Warning 2 Summary	Logical OR of all enabled bits in Latched Lane 4 Network Lane Alarm and Warning 2 Register. 1=Fault asserted.	0
			3	Lane 3 Alarm and Warning 2 Summary	Logical OR of all enabled bits in Latched Lane 3 Network Lane Alarm and Warning 2 Register. 1=Fault asserted.	0
			2	Lane 2 Alarm and Warning 2 Summary	Logical OR of all enabled bits in Latched Lane 2 Network Lane Alarm and Warning 2 Register. 1=Fault asserted.	0
			1	Lane 1 Alarm and Warning 2 Summary	Logical OR of all enabled bits in Latched Lane 1 Network Lane Alarm and Warning 2 Register. 1=Fault asserted.	0
			0	Lane 0 Alarm and Warning 2 Summary	Logical OR of all enabled bits in Latched Lane 0 Network Lane Alarm and Warning 2 Register. 1=Fault asserted.	0
Module FAWS Registers						
B01D	1	RO		Module General Status		0000h
			15	Reserved		0
			14	Reserved		0
			13	HW_Interlock	Module internally generated status signal. (FAWS_TYPE_A) 0: If module power <= Host cooling capacity or if hardware	0

MSA-100GLH Module VR 1						
Hex Addr.	Size	Access Type	Bit	Register Name Bit Field Name	Description	Init Value
					Interlock is not used, 1: If module power > Host cooling capacity. For non-pluggable modules (e.g. MSA-100GLH module), PRG_CNTL3 pin should be set to "1" during initialization state.	
			12~11	Reserved		0
			10	Loss of REFCLK Input	Loss of reference clock input. It is an optional feature. (FAWS_TYPE_B). 0: Normal, 1: Loss of signal.	0
			9	TX_JITTER_PLL_LOL	TX jitter PLL loss of lock. It is an optional feature. (FAWS_TYPE_B). 0: Normal, 1: Loss of lock.	0
			8	TX_CMU_LOL	TX CMU loss of lock. It is the loss of lock indicator on the network side of the CMU. It is an optional feature. (FAWS_TYPE_B). 0: Normal, 1: Loss of lock.	0
			7	TX_LOSF	Transmitter Loss of Signal Functionality. Logic OR of all of Network Lanes TX_LOSF bits. PRG_ALRMx mappable. . (FAWS_TYPE_C, since the TX must be enabled). Note: The corresponding latch register is set to 1 on any change (0-->1 or 1 --> 0) of this status signal. 0: all transmitter signals functional, 1: any transmitter signal not functional.	0
			6	TX_HOST_LOL	TX IC Lock Indicator. Logic OR of all host lane TX_LOL bits. PRG_ALRMx mappable. (FAWS_TYPE_B). Note: The corresponding latch register is set to 1 on any change (0-->1 or 1 --> 0) of this status signal. 0: Locked, 1: Loss of lock.	0
			5	RX_LOS	Receiver Loss of Signal. Logic OR of all of network lane RX_LOS bits. (FAWS_TYPE_B). Note: The corresponding latch register is set to 1 on any change (0-->1 or 1 --> 0) of this status signal. 0: No network lane RX_LOS bit asserted, 1: Any network lane RX_LOS bit asserted.	0
			4	RX_NETWORK_LOL	RX IC Lock Indicator. Logic OR of all network lane RX_LOL bits. PRG_ALRMx mappable. (FAWS_TYPE_B). Note: The corresponding latch register is set to 1 on any change (0-->1 or 1 --> 0) of this status signal. 0: Locked, 1: Loss of lock.	0
			3	Out of Alignment	Host lane skew out of alignment indicator. Applicable only for some internal implementations. (FAWS_TYPE_B). 0: Normal, 1: Out of alignment.	0
			2	Performance Monitor Interval Complete	0: Not Done 1: Done.	0
			1	HIPWR_ON	Status bit representing the condition of module in high power status. FAWS Type is not applicable. 0: Module is not in high power on status, 1: Module is in high powered on status.	0
			0	Reserved		0
B01E	1	RO		Module Fault Status	Module Fault Status bit pattern. Only fatal faults that are potentially harmful to the module can trigger the bits here. All the bits are 0: Normal; 1: fault detected. When any bit in this register is a '1', The Module State register will also be set to the Fault State.	0000h

MSA-100GLH Module VR 1						
Hex Addr.	Size	Access Type	Bit	Register Name Bit Field Name	Description	Init Value
			15	Reserved	Reserved for extension of "other faults" in case of all the bits used up in this register.	0
			14~7	Reserved		0
			6	PLD or Flash Initialization Fault	PLD, CPLD, or FPGA initialization fault. (FAWS_TYPE_A)	0
			5	Power Supply Fault	1: Power supply is out of range. (FAWS_TYPE_A)	0
			4~2	Reserved		000b
			1	CFP Checksum Fault	1: CFP Checksum failed. (FAWS_TYPE_A)	0
			0	Reserved		0
B01F	1	RO		Module Alarm and Warning 1		0000h
			15~12	Reserved		0000b
			11	Mod Temp High Alarm	Mod temp high Alarm. (FAWS_TYPE_A) 0: Normal, 1: Asserted.	0
			10	Mod Temp High Warning	Mod temp high Warning. (FAWS_TYPE_A) 0: Normal, 1: Asserted.	0
			9	Mod Temp Low Warning	Mod temp low Warning. (FAWS_TYPE_A) 0: Normal, 1: Asserted.	0
			8	Mod Temp Low Alarm	Mod temp low Alarm. (FAWS_TYPE_A) 0: Normal, 1: Asserted.	0
			7	Mod Vcc High Alarm	Input Vcc high Alarm. (FAWS_TYPE_A) 0: Normal, 1: Asserted.	0
			6	Mod Vcc High Warning	Input Vcc high Warning. (FAWS_TYPE_A) 0: Normal, 1: Asserted.	0
			5	Mod Vcc Low Warning	Input Vcc low Warning. (FAWS_TYPE_A) 0: Normal, 1: Asserted.	0
			4	Mod Vcc Low Alarm	Input Vcc low Alarm. (FAWS_TYPE_A) 0: Normal, 1: Asserted.	0
			3	Mod SOA Bias High Alarm	SOA bias current high alarm. (FAWS_TYPE_B) 0: Normal, 1: Asserted.	0
			2	Mod SOA Bias High Warning	SOA bias current high warning. (FAWS_TYPE_B) 0: Normal, 1: Asserted.	0
			1	Mod SOA Bias Low Warning	SOA bias current low warning. (FAWS_TYPE_B) 0: Normal, 1: Asserted.	0
			0	Mod SOA Bias Low Alarm	SOA bias current low alarm. (FAWS_TYPE_B) 0: Normal, 1: Asserted.	0
B020	1	RO		Module Alarm and Warning 2		0000h
			15~8	Reserved		0
			7	Mod Aux 1 High Alarm	Module aux ch 1 high alarm. (FAWS Type is vendor TBD) 0: Normal, 1: Asserted..	0
			6	Mod Aux 1 High Warning	Module aux ch 1 high warning. (FAWS Type is vendor TBD) 0: Normal, 1: Asserted.	0
			5	Mod Aux 1 Low Warning	Module aux ch 1 low warning. (FAWS Type is vendor TBD) 0: Normal, 1: Asserted.	0
			4	Mod Aux 1 Low Alarm	Module aux ch 1 low alarm. (FAWS Type is vendor TBD) 0: Normal, 1: Asserted.	0
			3	Mod Aux 2 High Alarm	Module aux ch 2 high alarm. (FAWS Type is vendor TBD) 0: Normal, 1: Asserted.	0
			2	Mod Aux 2 High Warning	Module aux ch 2 high warning. (FAWS Type is vendor TBD) 0: Normal, 1: Asserted.	0
			1	Mod Aux 2 Low Warning	Module aux ch 2 low warning. (FAWS Type is vendor TBD) 0: Normal, 1: Asserted.	0
			0	Mod Aux 2 Low Alarm	Module aux ch 2 low alarm. (FAWS Type is vendor TBD) 0: Normal, 1: Asserted.	0
B021	1	RO		Module Alarm and Fault	Vendor Specified Module Alarm and Fault Status	0000h

MSA-100GLH Module VR 1						
Hex Addr.	Size	Access Type	Bit	Register Name Bit Field Name	Description	Init Value
				Status - Vendor Specific (Optional)	indications (optional). Bit map description is specified by vendor.	
Module FAWS Latch Registers						
B022	1			Module State Latch		0000h
		RO	15~9	Reserved		0
		RO/LH/COR	8	High-Power-down State Latch	1: Latched.	0
		RO/LH/COR	7	TX-Turn-off State Latch	1: Latched.	0
		RO/LH/COR	6	Fault State Latch	1: Latched.	0
		RO/LH/COR	5	Ready State Latch	1: Latched.	0
		RO/LH/COR	4	TX-Turn-on State Latch	1: Latched.	0
		RO/LH/COR	3	TX-Off State Latch	1: Latched.	0
		RO/LH/COR	2	High-Power-up State Latch	1: Latched.	0
		RO/LH/COR	1	Low-Power State Latch	1: Latched.	0
RO/LH/COR	0	Initialize State Latch	1: Latched.	0		
B023	1			Module General Status Latch		0000h
		RO	15	Reserved		0
		RO	14	Reserved		0
		RO/LH/COR	13	HW_Interlock Latch	1: Latched.	0
		RO	12~11	Reserved		0
		RO/LH/COR	10	Loss of REFCLK Input Latch	1: Latched.	0
		RO/LH/COR	9	TX_JITTER_PLL_LOL Latch	1: Latched.	0
		RO/LH/COR	8	TX_CMU_LOL Latch	1: Latched.	0
		RO/LH/COR	7	TX_LOSF Latch	1: Latched. Note: Set to 1 on any change (0-->1 or 1 --> 0) of the corresponding status signal.	0
		RO/LH/COR	6	TX_HOST_LOL Latch	1: Latched. Note: Set to 1 on any change (0-->1 or 1 --> 0) of the corresponding status signal.	0
		RO/LH/COR	5	RX_LOS Latch	1: Latched. Note: Set to 1 on any change (0-->1 or 1 --> 0) of the corresponding status signal.	0
		RO/LH/COR	4	RX_NETWORK_LOL Latch	1: Latched. Note: Set to 1 on any change (0-->1 or 1 --> 0) of the corresponding status signal.	0
		RO/LH/COR	3	Out of Alignment Latch	1: Latched.	0
		RO/LH/COR	2	Performance Monitor Interval Complete Latch	1: Latched.	0
RO	1~0	Reserved		000b		
B024	1			Module Fault Status Latch	Module Fault Status latched bit pattern.	0000h
		RO	15~7	Reserved		0
		RO/LH/COR	6	PLD or Flash Initialization Fault Latch	1: Latched.	0
		RO/LH/COR	5	Power Supply Fault Latch	1: Latched.	0
		RO	4~2	Reserved		000b
		RO/LH/COR	1	CFP Checksum Fault Latch	1: Latched.	0
		RO	0	Reserved		0
B025	1			Module Alarm and Warning 1 Latch		0000h
		RO	15~12	Reserved		0000b
		RO/LH/COR	11	Mod Temp High Alarm Latch	1: Latched.	0
		RO/LH/COR	10	Mod Temp High Warning Latch	1: Latched.	0

MSA-100GLH Module VR 1						
Hex Addr.	Size	Access Type	Bit	Register Name Bit Field Name	Description	Init Value
		RO/LH/COR	9	Mod Temp Low Warning Latch	1: Latched.	0
		RO/LH/COR	8	Mod Temp Low Alarm Latch	1: Latched.	0
		RO/LH/COR	7	Mod Vcc High Alarm Latch	1: Latched.	0
		RO/LH/COR	6	Mod Vcc High Warning Latch	1: Latched.	0
		RO/LH/COR	5	Mod Vcc Low Warning Latch	1: Latched.	0
		RO/LH/COR	4	Mod Vcc Low Alarm Latch	1: Latched.	0
		RO/LH/COR	3	Mod SOA Bias High Alarm Latch	1: Latched.	0
		RO/LH/COR	2	Mod SOA Bias High Warning Latch	1: Latched.	0
		RO/LH/COR	1	Mod SOA Bias Low Warning Latch	1: Latched.	0
		RO/LH/COR	0	Mod SOA Bias Low Alarm Latch	1: Latched.	0
B026	1			Module Alarm and Warning 2 Latch		0
		RO	15~8	Reserved		0
		RO/LH/COR	7	Mod Aux 1 High Alarm Latch	1: Latched.	0
		RO/LH/COR	6	Mod Aux 1 High Warning Latch	1: Latched.	0
		RO/LH/COR	5	Mod Aux 1 Low Warning Latch	1: Latched.	0
		RO/LH/COR	4	Mod Aux 1 Low Alarm Latch	1: Latched.	0
		RO/LH/COR	3	Mod Aux 2 High Alarm Latch	1: Latched.	0
		RO/LH/COR	2	Mod Aux 2 High Warning Latch	1: Latched.	0
		RO/LH/COR	1	Mod Aux 2 Low Warning Latch	1: Latched.	0
		RO/LH/COR	0	Mod Aux 2 Low Alarm Latch	1: Latched.	0
B027	1	RO/LH/COR		Module Alarm and Fault Status - Vendor Specific Latch (Optional)	Vendor Specified Module Alarm and Fault Status Latch indications (optional). Bit map description is specified by vendor.	0000h
Module FAWS Enable Registers						
B028	1			Module State Enable	GLB_ALRM Enable register for Module State change. One bit for each state.	006Ah
		RO	15~9	Reserved		0
		RW	8	High-Power-down State Enable	1: Enable corresponding signal to assert GLB_ALRM.	0
		RW	7	TX-Turn-off State Enable	1: Enable corresponding signal to assert GLB_ALRM.	0
		RW	6	Fault State Enable	1: Enable corresponding signal to assert GLB_ALRM. (Init Value is 1 to allow GLB_ALRM in startup sequence.)	1
		RW	5	Ready State Enable	1: Enable corresponding signal to assert GLB_ALRM. (Init Value is 1 to allow GLB_ALRM in startup sequence.)	1
		RW	4	TX-Turn-on State Enable	1: Enable corresponding signal to assert GLB_ALRM.	0
		RW	3	TX-Off State Enable	1: Enable corresponding signal to assert GLB_ALRM. (Init Value is 1 to allow GLB_ALRM in startup sequence.)	1
		RW	2	High-Power-up State Enable	1: Enable corresponding signal to assert GLB_ALRM.	0
		RW	1	Low-Power State Enable	1: Enable corresponding signal to assert GLB_ALRM. (Init Value is 1 to allow GLB_ALRM in startup sequence)	1

MSA-100GLH Module VR 1						
Hex Addr.	Size	Access Type	Bit	Register Name Bit Field Name	Description	Init Value
		RO	0	Initialize State Enable	1: Enable corresponding signal to assert GLB_ALARM.	0
B029	1			Module General Status Enable	1: Enable signal to assert GLB_ALARM. Bits 14~0 are AND'ed with corresponding bits in the Module General Status Latch register; the result is used to assert GLB_ALARM. Bit 15 is the master enable of GLB_ALARM and it is AND'ed with the output of the "OR" gate output in Global Alarm Signal Aggregation, Figure 10.	A7F8h
		RW	15	GLB_ALARM Master Enable	1: Enable.	1
		RO	14	Reserved		0
		RW	13	HW_Interlock	1: Enable. For non-pluggable modules (e.g. MSA-100GLH module), this bit is not read.	1
		RO	12~11	Reserved		0
		RW	10	Loss of REFCLK Input Enable	1: Enable.	1
		RW	9	TX_JITTER_PLL_LOL Enable	1: Enable.	1
		RW	8	TX_CMU_LOL Enable	1: Enable.	1
		RW	7	TX_LOSF Enable	1: Enable.	1
		RW	6	TX_HOST_LOL Enable	1: Enable.	1
		RW	5	RX_LOS Enable	1: Enable.	1
		RW	4	RX_NETWORK_LOL Enable	1: Enable.	1
		RW	3	Out of Alignment Enable	1: Enable.	1
		RW	2	Performance Monitor Interval Complete Enable	1: Enable.	1
		RO	1~0	Reserved		000b
B02A	1			Module Fault Status Enable	These bits are AND'ed with corresponding bits in the Module Fault Latch register; the result is used to assert GLB_ALARM. Optional features that are not implemented shall have their Enable bit forced to '0'.	0062h
		RO	15~7	Reserved		0
		RW	6	PLD or Flash Initialization Fault Enable	1: Enable.	1
		RW	5	Power Supply Fault Enable	1: Enable.	1
		RO	4~2	Reserved		000b
		RW	1	CFP Checksum Fault Enable	1: Enable.	1
		RO	0	Reserved		0
B02B	1			Module Alarm and Warning 1 Enable	These bits are AND'ed with corresponding bits in the Module Alarm and Warning 1 Latch register; the result is used to assert GLB_ALARM. Optional features that are not implemented shall have their Enable bit forced to '0'.	0FFFh
		RO	15~12	Reserved		0000b
		RW	11	Mod Temp Hi Alarm Enable	1: Enable.	1
			10	Mod Temp Hi Warn Enable	1: Enable.	1
			9	Mod Temp Low Warning Enable	1: Enable.	1
			8	Mod Temp Low Alarm Enable	1: Enable.	1
			7	Mod Vcc High Alarm Enable	1: Enable.	1
			6	Mod Vcc High Warning Enable	1: Enable.	1
			5	Mod Vcc Low Warning Enable	1: Enable.	1
4	Mod Vcc Low Alarm Enable	1: Enable.	1			

MSA-100GLH Module VR 1						
Hex Addr.	Size	Access Type	Bit	Register Name Bit Field Name	Description	Init Value
			3	Mod SOA Bias High Alarm Enable	1: Enable.	1
			2	Mod SOA Bias High Warning Enable	1: Enable.	1
			1	Mod SOA Bias Low Warning Enable	1: Enable.	1
			0	Mod SOA Bias Low Alarm Enable	1: Enable.	1
B02C	1			Module Alarm and Warning 2 Enable	These bits are AND'ed with corresponding bits in the Module Alarm and Warning 2 Latch register; the result is used to assert GLB_ALRM. Optional features that are not implemented shall have their Enable bit forced to '0'.	00FFh
		RO	15~8	Reserved		00h
		RW	7	Mod Aux 1 High Alarm Enable	1: Enable.	1
			6	Mod Aux 1 High Warning Enable	1: Enable.	1
			5	Mod Aux 1 Low Warning Enable	1: Enable.	1
			4	Mod Aux 1 Low Alarm Enable	1: Enable.	1
			3	Mod Aux 2 High Alarm Enable	1: Enable.	1
			2	Mod Aux 2 High Warning Enable	1: Enable.	1
			1	Mod Aux 2 Low Warning Enable	1: Enable.	1
			0	Mod Aux 2 Low Alarm Enable	1: Enable.	1
B02D	1	RW		Module Alarm and Fault Status - Vendor Specific Enable(Optional)	Vendor Specified Module Alarm and Fault Status Enable indications (optional). Bit map description is specified by vendor.	0000h
B02E	1	RO		Reserved		0000h
Module Analog A/D Value Registers 1						
B02F	1	RO	15~0	Module Temp Monitor A/D Value	Internally measured temperature in degrees Celsius, a 16-bit signed integer with LSB = 1/256 of a degree Celsius, representing a total range from -128 to + 127 255/256 degC. MSA valid range is between -40 and +125C. Accuracy shall be better than +/- 3 degC over the whole temperature range.	0000h
B030	1	RO	15~0	Module Power Supply Monitor A/D Value	Internally measured transceiver supply voltage, a 16-bit unsigned integer with LSB = 1 mV, yielding a total measurement range of 0 to 65.535 V. Accuracy shall be better than +/- 3% of the nominal value over specified temperature and voltage ranges.	0000h
B031	1	RO	15~0	SOA Bias Current A/D Value	Measured SOA bias current in uA, a 16-bit unsigned integer with LSB = 2 uA, representing a total range of from 0 to 131.072 mA. Accuracy shall be better than +/- 10% of the nominal value over specified temperature and voltage.	0000h
B032	1	RO	15~0	Module Auxiliary 1 Monitor A/D Value	Definition depending upon the designated use.	0000h
B033	1	RO	15~0	Module Auxiliary 2 Monitor A/D Value	Definition depending upon the designated use.	0000h
B034	4	RO		Reserved		0
Module PRBS Registers						
B038	1	RO		Network Lane PRBS Data Bit Count	Network lane data bit counter increments when network lane RX PRBS Checker is enabled. It stops	0000h

MSA-100GLH Module VR 1						
Hex Addr.	Size	Access Type	Bit	Register Name Bit Field Name	Description	Init Value
					counting when RX PRBS Checker is disabled. It uses an ad-hoc format floating point number with 6-bit unsigned exponent and 10-bit unsigned mantissa.	
			15~10	Exponent	6-bit unsigned exponent.	0
			9~0	Mantissa	10-bit mantissa giving better than 0.1% accuracy in bit counts.	0
B039	1			Host Lane PRBS Data Bit Count	Host lane data bit counter increments when host side TX PRBS Checker is enabled. It stops counting when TX PRBS Checker is disabled. It uses an ad-hoc format floating point number with 6-bit unsigned exponent and 10-bit unsigned mantissa.	0000h
		RO	15~10	Exponent	6-bit unsigned exponent	0
		RO	9~0	Mantissa	10-bit mantissa giving better than 0.1% accuracy in bit counts.	0
Module Analog A/D Value Registers 2						
B03A	2	RW	15~0	Real-Time Second Clock	Represents number of seconds since Jan. 1, 1970. (MSB at 0xB03Ah, LSB at 0xB03Bh). Write to address B03Ah triggers reading both B03Ah and B03Bh registers	0000h
B03C	14	RO		Reserved		0
Module Extended Functions Control Registers						
B04A	1			Upload Control		0000h
		RW/SC	15	Upload Start Request	Register bit to request initiation of upload. This bit is self-clearing.	0
		RW	14	Upload Block Processed	1: DONE. 0: NOT DONE.	0
		RW	13	Upload Abort	1: Abort the Upload.	0
		RW	12~11	Upload Block Error Code	0: No Error 1: CRC Image Error 2~7: Reserved.	0
		RO	10~8	Reserved		0
		RW	7~0	Upload Type	Field to specify type of upload data. Values are vendor specific.	0
B04B	1			Upload Data		
		RO	15	Upload Data Block Ready	Set the flag when module completes writing the block to the 0xBC00 address.	0
		RW	14~0	Maximum Upload Data Block Size	Host sets Upload Data Block Size.	1
B04C	1			Module Upgrade Data		
		RW/SC	15	Upgrade Data Block Ready	Set the flag when host completes writing the block to the 0xBC00 address. When cleared by the Module, the Host can then write the next block.	0
		RO	14~0	Maximum Upgrade Data Block Size	Module sets Maximum Upgrade Data Block Size.	1
B04D	1			Module Upgrade Control		
		RW	15~12	Upgrade Command	0: No operation 1: Download Start 2: Download Complete 3: Run Image A 4: Run Image B 5: Abort image download 6: Copy Image A to B 7: Copy Image B to A 8: Commit Image A 9: Commit Image B	
		RO	11~8	MDIO upgrade ready time	During the sw upgrade procedure, after the host issues run image command, the MDIO is not available. MDIO upgrade ready time gives a maximum time for the MDIO to be ready. Value X 5 seconds	0

MSA-100GLH Module VR 1						
Hex Addr.	Size	Access Type	Bit	Register Name Bit Field Name	Description	Init Value
		RO	7~0	Reserved		0
B04E	2	RO		Reserved		0
Module Extended Functions Status Registers						
B050	1	RO		Module Extended Functions Status		0000h
			15	Module Ready for MDIO Write	0: Not Ready, 1: Ready	0
			14	Command Error	0: No Error, 1: Error	0
			13	Reserved		0
			12	Auxiliary Interface Instance 1 Rx Data Available (optional)	0: No Data Available, 1: Data Available	0
			11	Auxiliary Interface Instance 2 Rx Data Available (optional)	0: No Data Available, 1: Data Available	0
			10	Auxiliary Interface Instance 1 Rx Data Overflow (optional)	0: No Data Overflow, 1: Data Overflow	0
			9	Auxiliary Interface Instance 2 Rx Data Overflow (optional)	0: No Data Overflow, 1: Data Overflow	0
			8	Upload Data Available	0: No Data Available, 1: Data Available	0
			7	Upload Data Complete	0: Not Done, 1: Done	0
			6~0	Reserved		0
B051	1	RO		Module Upgrade Status		00
			15~14	Upgrade Command Status	00: Idle. 01: Command completed successfully. 10: Command in progress. 11: Command failed.	00
			13	Download Image Service Affecting Status	0: Upgrade to Currently Downloaded Image will Not be Service Affecting 1: Upgrade to Currently Downloaded Image will be Service Affecting	0
			12	Image Running	0: Image A 1: Image B	0
			11~10	Image A Status	00: No Image 01: Valid Image Present 10: Image Present is Bad 11: Reserved	0
			9~8	Image B Status	00: No Image 01: Valid Image Present 10: Image Present is Bad 11: Reserved	0
			7	Image Committed	0: Image A 1: Image B	0
			6~0	Upgrade Command Failure Reason	0: No Error 1: CRC Image Error 2: Length Image Error 3: Flash Write Error 4: Bad Image Error 5~127: Reserved	0
B052	2	RO		Reserved		0
Module Extended Functions Latch Registers						
B054	1	RO/LH/ COR		Module Extended Functions Latch		0000h
			15	Module Ready for MDIO Write Latch	0: Not Latched, 1: Latched	0
			14	Command Error Latch	0: Not Latched, 1: Latched	0
			13	Reserved		0

MSA-100GLH Module VR 1						
Hex Addr.	Size	Access Type	Bit	Register Name Bit Field Name	Description	Init Value
			12	Auxiliary Interface Instance 1 Rx Data Available Latch (optional)	0: Not Latched, 1: Latched	0
			11	Auxiliary Interface Instance 2 Rx Data Available Latch (optional)	0: Not Latched, 1: Latched	0
			10	Auxiliary Interface Instance 1 Rx Data Overflow Latch (optional)	0: Not Latched, 1: Latched	0
			9	Auxiliary Interface Instance 2 Rx Data Overflow Latch (optional)	0: Not Latched, 1: Latched	0
			8	Upload Data Available Latch	0: Not Latched, 1: Latched	0
			7	Upload Data Complete Latch	0: Not Latched, 1: Latched	0
			6~0	Reserved		0
B055	2	RO		Reserved		0
Module Extended Functions Enable Registers						
B057	1	RW		Module Extended Functions Enable		0000h
			15	Module Ready for MDIO Write Enable	0: Disabled, 1: Enabled	0
			14	Command Error Enable	0: Disabled, 1: Enabled	0
			13	Reserved		0
			12	Auxiliary Interface Instance 1 Rx Data Available Enable (optional)	0: Disabled, 1: Enabled	0
			11	Auxiliary Interface Instance 2 Rx Data Available Enable (optional)	0: Disabled, 1: Enabled	0
			10	Auxiliary Interface Instance 1 Rx Data Overflow Enable (optional)	0: Disabled, 1: Enabled	0
			9	Auxiliary Interface Instance 2 Rx Data Overflow Enable (optional)	0: Disabled, 1: Enabled	0
			8	Upload Data Available Enable	0: Disabled, 1: Enabled	0
			7	Upload Data Complete Enable	0: Disabled, 1: Enabled	0
			6~0	Reserved		0
B058	2	RO		Reserved		0
Module Extended Functions Data Registers						
B05A	1			Host-to-Module Auxiliary Interface Instance 1 (optional)		
		WO	15	Transaction Data Block Ready.	Serial data sent from host to module. Set the flag when host completes writing the block to the 0xBC00 address.	0
		WO	14	Transaction Last Block	1: Last Block in the current transaction. 0: More blocks in the current transaction.	0
		RO	13	Transaction Block Processed	1: DONE 0: NOT DONE.	0
		RO	12	Transaction Abort	1: Abort the transaction.	
		RO	11~10	Transaction Block Error Code	0: No Error 1: CRC Error 2~7: Reserved.	
		RO	9~0	Reserved		0

MSA-100GLH Module VR 1						
Hex Addr.	Size	Access Type	Bit	Register Name Bit Field Name	Description	Init Value
B05B	1			Module-to-Host Auxiliary Interface Instance 1 (optional)		
		RO	15	Transaction Data Block Ready.	Serial data sent from module to host. Set the flag when module completes writing the block to the 0xBE00 address.	0
		RO	14	Transaction Last Block	1: Last Block in the current transaction. 0: More blocks in the current transaction.	0
		WO	13	Transaction Block Processed	1: DONE 0: NOT DONE.	0
		WO	12	Transaction Abort	1: Abort the transaction.	
		WO	11~10	Transaction Block Error Code	0: No Error 1: CRC Error 2~7: Reserved.	
		RO	9~0	Reserved		0
B05C	1			Host-to-Module Auxiliary Interface Instance 2 (optional)		
		WO	15	Transaction Data Block Ready.	Serial data sent from host to module. Set the flag when host completes writing the block to the 0xBC00 address.	0
		WO	14	Transaction Last Block	1: Last Block in the current transaction. 0: More blocks in the current transaction.	0
		RO	13	Transaction Block Processed	1: DONE 0: NOT DONE.	0
		RO	12	Transaction Abort	1: Abort the transaction.	
		RO	11~10	Transaction Block Error Code	0: No Error 1: CRC Error 2~7: Reserved.	
		RO	9~0	Reserved		0
B05D	1			Module-to-Host Auxiliary Interface Instance 2 (optional)		
		RO	15	Transaction Data Block Ready.	Serial data sent from module to host. Set the flag when module completes writing the block to the 0xBE00 address.	0
		RO	14	Transaction Last Block	1: Last Block in the current transaction. 0: More blocks in the current transaction.	0
		WO	13	Transaction Block Processed	1: DONE 0: NOT DONE.	0
		WO	12	Transaction Abort	1: Abort the transaction.	
		WO	11~10	Transaction Block Error Code	0: No Error 1: CRC Error 2~7: Reserved.	
		RO	9~0	Reserved		0
B05E	34	RO		Reserved		0

1
2

1
2
3
4

6.4.6 MSA-100GLH Module Network Lane Specific Register Tables

Table 36: MSA-100GLH Module Network Lane VR 1 Registers

Network Lane VR 1						
Hex Addr	Size	Access Type	Bit	Register Name Bit Field Name	Description	Init Value
Network Lane FAWS Registers						
B180	16	RO		Network Lane n Alarm and Warning 1	16 registers, one for each network lane, represent 16 network lanes. n = 0, 1, ..., N-1. N_max = 16. Actual N is module dependent.	0000h
			15	Bias High Alarm	0: Normal; 1: Asserted. (FAWS_TYPE_C)	0
			14	Bias High Warning	0: Normal; 1: Asserted. (FAWS_TYPE_C)	0
			13	Bias Low Warning	0: Normal; 1: Asserted. (FAWS_TYPE_C)	0
			12	Bias Low Alarm	0: Normal; 1: Asserted. (FAWS_TYPE_C)	0
			11	TX Power High Alarm	0: Normal; 1: Asserted. (FAWS_TYPE_C)	0
			10	TX Power High Warning	0: Normal; 1: Asserted. (FAWS_TYPE_C)	0
			9	TX Power Low Warning	0: Normal; 1: Asserted. (FAWS_TYPE_C)	0
			8	TX Power Low Alarm	0: Normal; 1: Asserted. (FAWS_TYPE_C)	0
			7	Laser Temperature High Alarm	0: Normal; 1: Asserted. (FAWS_TYPE_B)	0
			6	Laser Temperature High Warning	0: Normal; 1: Asserted. (FAWS_TYPE_B)	0
			5	Laser Temperature Low Warning	0: Normal; 1: Asserted. (FAWS_TYPE_B)	0
			4	Laser Temperature Low Alarm	0: Normal; 1: Asserted. (FAWS_TYPE_B)	0
			3	RX Power High Alarm	0: Normal; 1: Asserted. (FAWS_TYPE_B)	0
			2	RX Power High Warning	0: Normal; 1: Asserted. (FAWS_TYPE_B)	0
			1	RX Power Low Warning	0: Normal; 1: Asserted. (FAWS_TYPE_B)	0
			0	RX Power Low Alarm	0: Normal; 1: Asserted. (FAWS_TYPE_B)	0
B190	16	RO		Network Lane n Alarm and Warning 2	16 registers, one for each network lane, represent 16 network lanes. n = 0, 1, ..., N-1. N_max = 16. Actual N is module dependent.	0000h
			15	Rx Laser Bias Current High Alarm	0: Normal, 1: Asserted (FAWS_TYPE_B)	0
			14	Rx Laser Bias Current High Warning	0: Normal, 1: Asserted (FAWS_TYPE_B)	0
			13	Rx Laser Bias Current Low Warning	0: Normal, 1: Asserted (FAWS_TYPE_B)	0
			12	Rx Laser Bias Current Low Alarm	0: Normal, 1: Asserted (FAWS_TYPE_B)	0
			11	Rx Laser Output High Alarm	0: Normal, 1: Asserted (FAWS_TYPE_B)	0
			10	Rx Laser Output High Warning	0: Normal, 1: Asserted (FAWS_TYPE_B)	0
			9	Rx Laser Output Low Warning	0: Normal, 1: Asserted (FAWS_TYPE_B)	0
			8	Rx Laser Output Low Alarm	0: Normal, 1: Asserted (FAWS_TYPE_B)	0
			7	Rx Laser Temp High Alarm	0: Normal, 1: Asserted (FAWS_TYPE_B)	0
			6	Rx Laser Temp High Warning	0: Normal, 1: Asserted (FAWS_TYPE_B)	0
			5	Rx Laser Temp Low Warning	0: Normal, 1: Asserted (FAWS_TYPE_B)	0
			4	Rx Laser Temp Low Alarm	0: Normal, 1: Asserted (FAWS_TYPE_B)	0
			3	Tx Modulator Bias High Alarm	0: Normal, 1: Asserted (FAWS_TYPE_B)	0
			2	Tx Modulator Bias High Warning	0: Normal, 1: Asserted (FAWS_TYPE_B)	0
			1	Tx Modulator Bias Low Warning	0: Normal, 1: Asserted (FAWS_TYPE_B)	0
			0	Tx Modulator Bias Low Alarm	0: Normal, 1: Asserted (FAWS_TYPE_B)	0
B1A0	16	RO		Network Lane n Fault and Status	16 registers, one for each network lane, represent 16 network lanes. n = 0, 1, ..., N-1. N_max = 16. Actual N is module dependent.	0000h
			15	Lane TEC Fault	0: Normal; 1: Asserted. (FAWS_TYPE_B)	0
			14	Lane Wavelength Unlocked Fault	0: Normal; 1: Asserted. (FAWS_TYPE_C)	0
			13	Lane APD Power Supply Fault	0: Normal; 1: Asserted. (FAWS_TYPE_B)	0

Network Lane VR 1						
Hex Addr	Size	Access Type	Bit	Register Name Bit Field Name	Description	Init Value
			12~8	Reserved		0
			7	Lane TX_LOSF	0: Normal; 1: Asserted. (PMD) (FAWS_TYPE_C)	0
			6	Lane TX_LOL	0: Normal; 1: Asserted. (Network) (FAWS_TYPE_B)	0
			5	Reserved		0
			4	Lane RX_LOS	0: Normal; 1: Asserted. (FAWS_TYPE_B)	0
			3	Lane RX_LOL	0: Normal; 1: Asserted. (FAWS_TYPE_B)	0
			2	Lane RX FIFO error	0: Normal; 1: Error. (FAWS_TYPE_B)	0
			1	Lane RX TEC Fault	0: Normal; 1: Asserted. (FAWS_TYPE_B)	0
			0	Reserved.		0
Network Lane FAWS Latch Registers						
B1B0	16	RO/LH/ COR		Network Lane n Alarm and Warning 1 Latch	16 registers, one for each network lane, represent 16 network lanes. n = 0, 1, ..., N-1. N_max = 16. Actual N is module dependent.	0000h
			15	Bias High Alarm Latch	1: Latched.	0
			14	Bias High Warning Latch	1: Latched.	0
			13	Bias Low Warning Latch	1: Latched.	0
			12	Bias Low Alarm Latch	1: Latched.	0
			11	TX Power High Alarm Latch	1: Latched.	0
			10	TX Power High Warning Latch	1: Latched.	0
			9	TX Power Low Warning Latch	1: Latched.	0
			8	TX Power Low Alarm Latch	1: Latched.	0
			7	Laser Temperature High Alarm Latch	1: Latched.	0
			6	Laser Temperature High Warning Latch	1: Latched.	0
			5	Laser Temperature Low Warning Latch	1: Latched.	0
			4	Laser Temperature Low Alarm Latch	1: Latched.	0
			3	RX Power High Alarm Latch	1: Latched.	0
			2	RX Power High Warning Latch	1: Latched.	0
			1	RX Power Low Warning Latch	1: Latched.	0
			0	RX Power Low Alarm Latch	1: Latched.	0
B1C0	16	RO/LH/ COR		Network Lane n Alarm and Warning 2 Latch	16 registers, one for each network lane, represent 16 network lanes. n = 0, 1, ..., N-1. N_max = 16. Actual N is module dependent.	0000h
			15	Rx Laser Bias High Alarm Latch	1: Latched	0
			14	Rx Laser Bias High Warning Latch	1: Latched	0
			13	Rx Laser Bias Low Warning Latch	1: Latched	0
			12	Rx Laser Bias Low Alarm Latch	1: Latched	0
			11	Rx Laser Output High Alarm Latch	1: Latched	0
			10	Rx Laser Output High Warning Latch	1: Latched	0
			9	Rx Laser Output Low Warning Latch	1: Latched	0
			8	Rx Laser Output Low Alarm Latch	1: Latched	0
			7	Rx Laser Temp High Alarm Latch	1: Latched	0
			6	Rx Laser Temp High Warning Latch	1: Latched	0

Network Lane VR 1						
Hex Addr	Size	Access Type	Bit	Register Name Bit Field Name	Description	Init Value
			5	Rx Laser Temp Low Warning Latch	1: Latched	0
			4	Rx Laser Temp Low Alarm Latch	1: Latched	0
			3	Tx Modulator Bias High Alarm Latch	1: Latched	0
			2	Tx Modulator Bias High Warning Latch	1: Latched	0
			1	Tx Modulator Bias Low Warning Latch	1: Latched	0
			0	Tx Modulator Bias Low Alarm Latch	1: Latched	0
B1D0	16			Network Lane n Fault and Status Latch	16 registers, one for each network lane, represent 16 network lanes. n = 0, 1, ..., N-1. N_max = 16. Actual N is module dependent.	0000h
		RO/LH/C OR	15	Lane TEC Fault Latch	1: Latched.	0
		RO/LH/C OR	14	Lane Wavelength Unlocked Fault Latch	1: Latched.	0
		RO/LH/C OR	13	Lane APD Power Supply Fault Latch	1: Latched.	0
		RO	12~8	Reserved		0
		RO/LH/C OR	7	Lane TX_LOSF Latch	1: Latched.	0
		RO/LH/C OR	6	Lane TX_LOL Latch	1: Latched.	0
		RO	5	Reserved		0
		RO/LH/C OR	4	Lane RX_LOS Latch	1: Latched.	0
		RO/LH/C OR	3	Lane RX_LOL Latch	1: Latched.	0
		RO/LH/C OR	2	Lane RX FIFO Status Latch	1: Latched.	0
		RO/LH/C OR	1	Lane RX TEC Fault Latch	1: Latched.	0
		RO	0	Reserved		0
Network Lane FAWS Enable Registers						
B1E0	16	RW		Network Lane n Alarm and Warning 1 Enable	16 registers, one for each network lane, represent 16 network lanes. n = 0, 1, ..., N-1. N_max = 16. Actual N is module dependent.	FFFFh
			15	Bias High Alarm Enable	0: Disable, 1: Enable.	1
			14	Bias High Warning Enable	0: Disable, 1: Enable.	1
			13	Bias Low Warning Enable	0: Disable, 1: Enable.	1
			12	Bias Low Alarm Enable	0: Disable, 1: Enable.	1
			11	TX Power High Alarm Enable	0: Disable, 1: Enable.	1
			10	TX Power High Warning Enable	0: Disable, 1: Enable.	1
			9	TX Power Low Warning Enable	0: Disable, 1: Enable.	1
			8	TX Power Low Alarm Enable	0: Disable, 1: Enable.	1
			7	Laser Temperature High Alarm Enable	0: Disable, 1: Enable.	1
			6	Laser Temperature High Warning Enable	0: Disable, 1: Enable.	1
			5	Laser Temperature Low Warning Enable	0: Disable, 1: Enable.	1
			4	Laser Temperature Low Alarm Enable	0: Disable, 1: Enable.	1
			3	RX Power High Alarm Enable	0: Disable, 1: Enable.	1
			2	RX Power High Warning Enable	0: Disable, 1: Enable.	1
			1	RX Power Low Warning Enable	0: Disable, 1: Enable.	1

Network Lane VR 1						
Hex Addr	Size	Access Type	Bit	Register Name Bit Field Name	Description	Init Value
			0	RX Power Low Alarm Enable	0: Disable, 1: Enable.	1
B1F0	16	RW		Network Lane n Alarm and Warning 2 Enable	16 registers, one for each network lane, represent 16 network lanes. n = 0, 1, ..., N-1. N_max = 16. Actual N is module dependent.	FFFFh
			15	Rx Laser Bias Current High Alarm Enable	0: Disable, 1: Enable.	1
			14	Rx Laser Bias Current High Warning Enable	0: Disable, 1: Enable.	1
			13	Rx Laser Bias Current Low Warning Enable	0: Disable, 1: Enable.	1
			12	Rx Laser Bias Current Low Alarm Enable	0: Disable, 1: Enable.	1
			11	Rx Laser Output High Alarm Enable	0: Disable, 1: Enable.	1
			10	Rx Laser Output High Warning Enable	0: Disable, 1: Enable.	1
			9	Rx Laser Output Low Warning Enable	0: Disable, 1: Enable.	1
			8	Rx Laser Output Low Alarm Enable	0: Disable, 1: Enable.	1
			7	Rx Laser Temp High Alarm Enable	0: Disable, 1: Enable.	1
			6	Rx Laser Temp High Warning Enable	0: Disable, 1: Enable.	1
			5	Rx Laser Temp Low Warning Enable	0: Disable, 1: Enable.	1
			4	Rx Laser Temp Low Alarm Enable	0: Disable, 1: Enable.	1
			3	Tx Modulator Bias High Alarm Enable	0: Disable, 1: Enable.	1
			2	Tx Modulator Bias High Warning Enable	0: Disable, 1: Enable.	1
			1	Tx Modulator Bias Low Warning Enable	0: Disable, 1: Enable.	1
			0	Tx Modulator Bias Low Alarm Enable	0: Disable, 1: Enable.	1
B200	16			Network Lane n Fault and Status Enable	16 registers, one for each network lane, represent 16 network lanes. n = 0, 1, ..., N-1. N_max = 16. Actual N is module dependent.	E0DCh
		RW	15	Lane TEC Fault Enable	0: Disable, 1: Enable.	1
		RW	14	Lane Wavelength Unlocked Fault Enable	0: Disable, 1: Enable.	1
		RW	13	Lane APD Power Supply Fault Enable	0: Disable, 1: Enable.	1
		RO	12~8	Reserved		0
		RW	7	Lane TX_LOSF Enable	0: Disable, 1: Enable.	1
		RW	6	Lane TX_LOL Enable	0: Disable, 1: Enable.	1
		RO	5	Reserved		0
		RW	4	Lane RX_LOS Enable	0: Disable, 1: Enable.	1
		RW	3	Lane RX_LOL Enable	0: Disable, 1: Enable.	1
		RW	2	Lane RX_FIFO Status Enable	0: Disable, 1: Enable.	1
RW	1	Lane RX_TEC Fault Enable	0: Disable, 1: Enable.	1		
RO	0	Reserved		0		
Network Lane TX Status Registers						
B210	16	RO		Network Lane TX Alignment Status		
			15	Loss of Alignment	Definition is Module Vendor Specified 0: Not Active, 1: Active	0
			14	Out of Alignment	Definition is Module Vendor Specified 0: Not Active, 1: Active	0

Network Lane VR 1						
Hex Addr	Size	Access Type	Bit	Register Name Bit Field Name	Description	Init Value
			13	CMU Lock Fault	Definition is Module Vendor Specified 0: Not Active, 1: Active	0
			12	Reference Clock Fault	Definition is Module Vendor Specified 0: Not Active, 1: Active	0
			11	Timing Fault	Definition is Module Vendor Specified 0: Not Active, 1: Active	0
			10~0	Reserved		0
B220	16	RO/LH/ COR		Network Lane TX Alignment Status Latch		
			15	Loss of Alignment Latch	0: Not Latched, 1: Latched	0
			14	Out of Alignment Latch	0: Not Latched, 1: Latched	0
			13	CMU Lock Fault Latch	0: Not Latched, 1: Latched	0
			12	Reference Clock Fault	0: Not Latched, 1: Latched	0
			11	Timing Fault	0: Not Latched, 1: Latched	0
			10~0	Reserved		0
B230	16	RW		Network Lane TX Alignment Status Enable		
			15	Loss of Alignment Enable	0: Disabled, 1: Enabled	0
			14	Out of Alignment Enable	0: Disabled, 1: Enabled	0
			13	CMU Lock Fault Enable	0: Disabled, 1: Enabled	0
			12	Reference Clock Fault	0: Disabled, 1: Enabled	0
			11	Timing Fault	0: Disabled, 1: Enabled	0
			10~0	Reserved		0
B240	16	RO		Network Lane TX Alignment Status PM Interval		
			15	Loss of Alignment occurred over PM interval	0: Did Not Occur, 1: Occurred	0
			14	Out of Alignment occurred over PM interval	0: Did Not Occur, 1: Occurred	0
			13	CMU Lock Fault occurred over PM interval	0: Did Not Occur, 1: Occurred	0
			12	Reference Clock Fault occurred over PM interval	0: Did Not Occur, 1: Occurred	0
			11	Timing Fault occurred over PM interval	0: Did Not Occur, 1: Occurred	0
			10~0	Reserved		0
Network Lane RX Status Registers						
B250	16	RO		Network Lane RX Alignment Status		
			15	Modem Sync Detect Fault (Optional)	Definition is Module Vendor Specified 0: Not Active, 1: Active	0
			14	Modem Lock Fault (Optional)	Definition is Module Vendor Specified 0: Not Active, 1: Active	0
			13	Loss of Alignment Fault	Definition is Module Vendor Specified 0: Not Active, 1: Active	0
			12	Out of Alignment Fault	Definition is Module Vendor Specified 0: Not Active, 1: Active	0
			11	Timing Fault	Definition is Module Vendor Specified 0: Not Active, 1: Active	0
			10~0	Reserved		0
B260	16	RO/LH/ COR		Network Lane RX Alignment Status Latch		
			15	Modem Sync Detect Fault Latch (Optional)	0: Not Latched, 1: Latched	0
			14	Modem Lock Fault Latch (Optional)	0: Not Latched, 1: Latched	0
			13	Loss of Alignment Fault Latch	0: Not Latched, 1: Latched	0
			12	Out of Alignment Fault Latch	0: Not Latched, 1: Latched	0

Network Lane VR 1						
Hex Addr	Size	Access Type	Bit	Register Name Bit Field Name	Description	Init Value
			11	Timing Fault Latch	0: Not Latched, 1: Latched	0
			11~0	Reserved		0
B270	16	RW		Network Lane RX Alignment Status Enable		
			15	Modem Sync Detect Fault Enable (Optional)	0: Disabled, 1: Enabled	0
			14	Modem Lock Fault Enable (Optional)	0: Disabled, 1: Enabled	0
			13	Loss of Alignment Enable	0: Disabled, 1: Enabled	0
			12	Out of Alignment Enable	0: Disabled, 1: Enabled	0
			11	Timing Fault Enable	0: Disabled, 1: Enabled	0
			10~0	Reserved		0
B280	16	RO		Network Lane RX Alignment Status PM Interval		
			15	Modem Sync Detect Fault occurred over PM interval (Optional)	0: Did Not Occur, 1: Occurred	0
			14	Modem Lock Fault occurred over PM interval (Optional)	0: Did Not Occur, 1: Occurred	0
			13	Loss of Alignment occurred over PM interval	0: Did Not Occur, 1: Occurred	0
			12	Out of Alignment occurred over PM interval	0: Did Not Occur, 1: Occurred	0
			11	Deskew Lock Fault occurred over PM interval	0: Did Not Occur, 1: Occurred	0
			10	RX LOS occurred over PM interval	0: Did Not Occur, 1: Occurred	0
			9~0	Reserved		0
B290	112	RO		Reserved		0

1
2
3

Table 37: MSA-100GLH Module Network Lane VR 2 Registers

Network Lane VR 2						
Hex Addr	Size	Access Type	Bit	Register Name Bit Field Name	Description	Init Value
Network Lane Control 1 Registers						
B300	16			Network Lane n FEC Controls	16 registers, one for each network lane, represent 16 network lanes. n = 0, 1, ..., N-1. N_max = 16. Actual N is module dependent.	0000h
		RW	15~8	Phase Adjustment	This signed 8-bit value represents the phase set point of receive path quantization relative to 0.5 UI, given by: $0.5UI + (\text{Phase Adjustment}) / 256 UI$. (Optional function) Set this value = -128 (80h) to de-activate this function.	00h
		RW	7~0	Amplitude Adjustment	This signed 8-bit value represents the amplitude threshold of relative amplitude of receive path quantization relative to 50% (Optional function), given by: $50\% + (\text{Amplitude Adjustment}) / 256 * 100\%$. (Optional function) Set this value = -128 (80h) to de-activate this function.	00h
B310	16	RO	15~0	Network Lane n PRBS Rx Error Count	16 registers, one for each network lane, represent 16 network lanes. n = 0, 1, ..., N-1. N_max = 16. Actual N is module dependent.	0000h

Network Lane VR 2						
Hex Addr	Size	Access Type	Bit	Register Name Bit Field Name	Description	Init Value
					This counter increases upon detection of each network lane RX checker error when RX PRBS Checker is enabled. It uses an ad-hoc floating point number format with a 6-bit unsigned exponent and a 10-bit unsigned mantissa. Base of exponent is 2 and Mantissa radix is 0.	
			15~1 0	Exponent	6-bit unsigned exponent.	0
			9~0	Mantissa	10-bit mantissa giving better than 0.1% accuracy in bit counts.	0
Network Lane A/D Value Measurement Registers						
B320	16	RO	15~0	Network Lane n TX Laser Bias Current monitor A/D value	16 registers, one for each network lane, represent 16 network lanes. n = 0, 1, ..., N-1. N_max = 16. Actual N is module dependent. Measured laser bias current in uA, a 16-bit unsigned integer with LSB = 2 uA, representing a total measurement range of 0 to 131.072 mA. Minimum accuracy shall be +/- 10% of the nominal value over temperature and voltage. This register is for CFP MSA modules.	0000h
B330	16	RO	15~0	Network Lane n TX Laser Output Power monitor A/D value	16 registers, one for each network lane, represent 16 network lanes. n = 0, 1, ..., N-1. N_max = 16. Actual N is module dependent. Measured TX laser output power in dBm, a signed 16-bit integer with LSB = 0.01 dBm. Accuracy must be better than +/- 2 dB over temperature and voltage range. Relative accuracy must be better than 1 dB.	0000h
B340	16	RO	15~0	Network Lane n TX Laser Temp Monitor A/D value	16 registers, one for each network lane, represent 16 network lanes. n = 0, 1, ..., N-1. N_max = 16. Actual N is module dependent. Internally measured temperature in degrees Celsius, a 16-bit signed integer with LSB = 1/256 of a degree Celsius, representing a total range from -128 to +127 255/256 degC. MSA valid range is between -40 and +125C. Minimum accuracy is +/- 3 degC over temperature range.	0000h
B350	16	RO	15~0	Network Lane n RX Input Power monitor A/D value	16 registers, one for each network lane, represent 16 network lanes. n = 0, 1, ..., N-1. N_max = 16. Actual N is module dependent. Measured received input power in uW, a 16-bit unsigned integer with LSB = 0.1 uW, representing a power range from 0 to 6.5535 mW (-40 to +8.2 dBm). Value can represent either average received power or OMA depending upon how bit 3 of Register 8080h is set. Accuracy must be better than +/- 2dB over temperature and voltage. This accuracy shall be maintained for input power levels up to the lesser of maximum transmitted or maximum received	0000h

Network Lane VR 2						
Hex Addr	Size	Access Type	Bit	Register Name Bit Field Name	Description	Init Value
					optical power per the appropriate standard. It shall be maintained down to the minimum transmitted power minus cable plant loss per the appropriate standard. Relative accuracy shall be better than 1 dB over the received power range, temperature range, voltage range, and the life of the product.	
B360	16	RO	15~0	Network Lane n TX Laser Bias Current monitor A/D value	16 registers, one for each network lane, represent 16 network lanes. n = 0, 1, ..., N-1. N_max = 16. Actual N is module dependent. TX laser bias current monitor in uA, an unsigned 16-bit integer with LSB = 100uA, representing a total measurement range of 0 to 6553.5 mA. Minimum accuracy is +/- 10% of the nominal value over temperature and voltage.	0000h
B370	16	RO	15~0	Network Lane n RX Laser Bias Current monitor A/D values.	16 registers, one for each network lane, represent 16 network lanes. n = 0, 1, ..., N-1. N_max = 16. Actual N is module dependent. Measured RX laser bias current in uA, an unsigned 16-bit integer with LSB = 100 uA, representing a total measurement range of 0 to 6553.5 mA. Minimum accuracy is +/- 10% of the nominal value over temperature and voltage.	0000h
B380	16	RO	15~0	Network Lane n RX Laser Temp Monitor A/D value.	16 registers, one for each network lane, represent 16 network lanes. n = 0, 1, ..., N-1. N_max = 16. Actual N is module dependent. Internally measured temperature in degrees Celsius, a signed 16-bit integer with LSB = 1/256 of a degree Celsius, representing a total range from -128 to +127 255/256 degC. MSA valid range is between -40 and +125C. Minimum accuracy is +/- 3 degC over t	0000h
B390	16	RO	15~0	Network Lane n RX Laser Output Power Monitor A/D value	16 registers, one for each network lane, represent 16 network lanes. n = 0, 1, ..., N-1. N_max = 16. Actual N is module dependent. Measured RX laser output power in dBm, a signed 16-bit integer with the LSB = 0.01 dBm	0000h
B3A0	16	RO	15~0	TX Modulator Bias X/I Monitor A/D value	16 registers, one for each network lane, represent 16 network lanes. n = 0, 1, ..., N-1. N_max = 16. Actual N is module dependent. TX Modulator Bias, a 16-bit unsigned integer with LSB = 2mV, yielding a total measurement range of 0 to 131.072 Volts. Accuracy shall be better than +/-3% of the nominal value over specified operating temperature and voltage range.	0
B3B0	16	RO	15~0	TX Modulator Bias X/Q Monitor A/D value		0
B3C0	16	RO	15~0	TX Modulator Bias Y/I Monitor A/D value		0
B3D0	16	RO	15~0	TX Modulator Bias Y/Q Monitor A/D value		0
B3E0	16	RO	15~0	TX Modulator Bias X_Phase Monitor A/D value		0
B3F0	16	RO	15~0	TX Modulator Bias Y_Phase Monitor A/D value		0
Network Lane Control 2 Registers						

Network Lane VR 2						
Hex Addr	Size	Access Type	Bit	Register Name Bit Field Name	Description	Init Value
B400	16			TX Channel Control	Desired TX channel number and grid spacing. 16 registers, one for each network lane, represent 16 network lanes. n = 0, 1, ..., N-1. N_max = 16. Actual N is module dependent.	0001h
		RW	15~1 3	Grid Spacing	000b: 100 GHz grid spacing 001b: 50 GHz grid spacing 010b: 33 GHz grid spacing 011b: 25 GHz grid spacing 100b: 12.5 GHz grid spacing 101b: 6.25 GHz grid spacing 110b ~ 111b: Reserved	000b
		RO	12~1 0	Reserved		0
		RW	9~0	Channel number	Tx channel number. Channel 0 is an undefined channel number.	001h
B410	16	RW	15~0	TX Output Power	Desired TX output power. 16 registers, one for each network lane, represent 16 network lanes. n = 0, 1, ..., N-1. N_max = 16. Actual N is module dependent. A signed 16-bit integer with the LSB = 0.01dBm	0000h
B420	16			RX Channel Control	Desired RX channel number and grid spacing. 16 registers, one for each network lane, represent 16 network lanes. n = 0, 1, ..., N-1. N_max = 16. Actual N is module dependent.	0001h
		RW	15~1 3	Grid Spacing	000b: 100 GHz grid spacing 001b: 50 GHz grid spacing 010b: 33 GHz grid spacing 011b: 25 GHz grid spacing 100b: 12.5 GHz grid spacing 101b: 6.25 GHz grid spacing 110b ~ 111b: Reserved	000b
		RO	13~1 0	Reserved		0
		RW	9~0	Channel number	Rx channel number. Channel 0 is an undefined channel number.	001h
B430	16	RW	15~0	TX Fine Tune Frequency (Optional)	A signed 16-bit integer with LSB = 1 MHz.	000h
B440	16	RW	15~0	RX Fine Tune Frequency (Optional)	A signed 16-bit integer with LSB = 1 MHz.	000h
B450	16	RO	15~0	TX Frequency 1	Current module TX Frequency 1. An unsigned 16-bit integer with LSB = 1 THz.	N/A
B460	16	RO	15~0	TX Frequency 2	Current module TX Frequency 2. An unsigned 16-bit integer with LSB = 0.05 GHz. Value should not exceed 19999.	N/A
B470	16	RO	15~0	RX Frequency 1	Current module RX Frequency 1. An unsigned 16-bit integer with LSB = 1 THz.	N/A
B480	16	RO	15~0	RX Frequency 2	Current module RX Frequency 2. An unsigned 16-bit integer with LSB = 0.05 GHz. Value should not exceed 19999.	N/A
B490	16	RO		Reserved		0
Network Lane TX Performance Monitoring Statistics Registers						
B4A0	16	RO	15~0	Current Output Power	A signed 16-bit integer with the LSB = 0.01 dBm.	0000h
B4B0	16	RO	15~0	Average Output Power over PM interval	A signed 16-bit integer with the LSB = 0.01 dBm.	0000h

Network Lane VR 2						
Hex Addr	Size	Access Type	Bit	Register Name Bit Field Name	Description	Init Value
B4C0	16	RO	15~0	Minimum Output Power over PM interval	A signed 16-bit integer with the LSB = 0.01 dBm.	0000h
B4D0	16	RO	15~0	Maximum Output Power over PM interval	A signed 16-bit integer with the LSB = 0.01 dBm.	0000h
Network Lane RX Performance Monitoring Statistics Registers						
B4E0	16	RO	15~0	Current Input Power	A signed 16-bit integer with the LSB = 0.01 dBm.	0000h
B4F0	16	RO	15~0	Average Input Power over PM interval	A signed 16-bit integer with the LSB = 0.01 dBm.	0000h
B500	16	RO	15~0	Minimum Input Power over PM interval	A signed 16-bit integer with the LSB = 0.01 dBm.	0000h
B510	16	RO	15~0	Maximum Input Power over PM interval	A signed 16-bit integer with the LSB = 0.01 dBm.	0000h
B520	96	RO		Reserved		0
Network Lane OTN/FEC-related Registers (Optional)						
OTN FAWS Registers (Optional)						
B580	16	RO		Network Lane RX OTN Status	16 registers, one for each network lane, represent 16 network lanes. n = 0, 1, ..., N-1. N_max = 16. Actual N is module dependent.	
			15	OTN LOF	0: Not Active, 1: Active	0
			14	OTN OOF	0: Not Active, 1: Active	0
			13	OTN LOM	0: Not Active, 1: Active	0
			12	OTN OOM	0: Not Active, 1: Active	0
			11	OTN IAE	0: Not Active, 1: Active	0
			10	OTN SM BDI	0: Not Active, 1: Active	0
			9	OTN OTU-AIS	0: Not Active, 1: Active	0
			8	OTN ODU-AIS	0: Not Active, 1: Active	0
7~0	Reserved		0			
B590	16	RO/LH/ COR		Network Lane RX OTN Status Latch	16 registers, one for each network lane, represent 16 network lanes. n = 0, 1, ..., N-1. N_max = 16. Actual N is module dependent.	
			15	OTN LOF Latch	0: Not Latched, 1: Latched	0
			14	OTN OOF Latch	0: Not Latched, 1: Latched	0
			13	OTN LOM Latch	0: Not Latched, 1: Latched	0
			12	OTN OOM Latch	0: Not Latched, 1: Latched	0
			11	OTN IAE Latch	0: Not Latched, 1: Latched	0
			10	OTN SM BDI Latch	0: Not Latched, 1: Latched	0
			9	OTN OTU-AIS Latch	0: Not Latched, 1: Latched	0
			8	OTN ODU-AIS Latch	0: Not Latched, 1: Latched	0
7~0	Reserved		0			
B5A0	16	RW		Network Lane RX OTN Status Enable	16 registers, one for each network lane, represent 16 network lanes. n = 0, 1, ..., N-1. N_max = 16. Actual N is module dependent.	
			15	OTN LOF Enable	0: Disabled, 1: Enabled	0
			14	OTN OOF Enable	0: Disabled, 1: Enabled	0
			13	OTN LOM Enable	0: Disabled, 1: Enabled	0
			12	OTN OOM Enable	0: Disabled, 1: Enabled	0
			11	OTN IAE Enable	0: Disabled, 1: Enabled	0
			10	OTN SM BDI Enable	0: Disabled, 1: Enabled	0
			9	OTN OTU-AIS Enable	0: Disabled, 1: Enabled	0
			8	OTN ODU-AIS Enable	0: Disabled, 1: Enabled	0
7~0	Reserved		0			
B5B0	16	RO		Network Lane RX OTN Status PM Interval	16 registers, one for each network lane, represent 16 network lanes. n = 0, 1, ...,	

Network Lane VR 2						
Hex Addr	Size	Access Type	Bit	Register Name Bit Field Name	Description	Init Value
					N-1. N_max = 16. Actual N is module dependent.	
			15	OTN LOF occurred over PM interval	0: Did Not Occur, 1: Occurred	0
			14	OTN OOF occurred over PM interval	0: Did Not Occur, 1: Occurred	0
			13	OTN LOM occurred over PM interval	0: Did Not Occur, 1: Occurred	0
			12	OTN OOM occurred over PM interval	0: Did Not Occur, 1: Occurred	0
			11	OTN IAE occurred over PM interval	0: Did Not Occur, 1: Occurred	0
			10	OTN SM BDI occurred over PM interval	0: Did Not Occur, 1: Occurred	0
			9	OTN OTU-AIS occurred over PM interval	0: Did Not Occur, 1: Occurred	0
			8	OTN ODU-AIS occurred over PM interval	0: Did Not Occur, 1: Occurred	0
			7~0	Reserved		0
OTN/FEC Network TX Performance Monitoring Registers (Optional)						
B5C0	1	RO/MW	15~0	FEC Corrected Bits count over PM interval, most significant word	Bits 47~32 of 48 bit counter	0
B5C1	1	RO/MW	15~0	FEC Corrected Bits count over PM interval, middle word	Bits 31~16 of 48 bit counter	0
B5C2	1	RO/MW	15~0	FEC Corrected Bits count over PM interval, least significant word	Bits 15~0 of 48 bit counter	0
B5C3	1	RO/MW	15~0	FEC Uncorrectable Codeword count over PM interval, most significant word	Bits 31~16 of 32 bit counter	0
B5C4	1	RO/MW	15~0	FEC Uncorrectable Codeword count over PM interval, least significant word	Bits 15~0 of 32 bit counter	0
B5C5	1	RO/MW	15~0	OTN SM BIP-8 error count over PM interval, most significant word	Bits 31~16 of 32 bit counter	0
B5C6	1	RO/MW	15~0	OTN SM BIP-8 error count over PM interval, least significant word	Bits 15~0 of 32 bit counter	0
B5C7	1	RO/MW	15~0	OTN SM BEI count over PM interval, most significant word	Bits 31~16 of 32 bit counter	0
B5C8	1	RO/MW	15~0	OTN SM BEI count over PM interval, least significant word	Bits 15~0 of 32 bit counter	0
B5C9	55	RO		Reserved		0

1

2 **6.4.7 MSA-100GLH Module Host Lane Specific Register Tables**

3

4

Table 38: MSA-100GLH Module Host Lane VR 1 Registers

MSA-100GLH Host Lane VR 1						
Hex Addr	Size	Access Type	Bit	Register Name Bit Field Name	Description	Init Value
Host Lane FAWS Status Registers						
B600	16			Host Lane m Fault and Status	16 registers, one for each host lane, represent 16 host lanes. m = 0, 1, ..., M-1. M_max = 16. Actual M is module dependent.	0000h
		RO	15~2	Reserved		0
		RO	1	Lane TX FIFO Error	Lane specific TX FIFO error. (FAWS_TYPE_B) 0: Normal, 1: Error.	0

MSA-100GLH Host Lane VR 1						
Hex Addr	Size	Access Type	Bit	Register Name Bit Field Name	Description	Init Value
		RO	0	TX_HOST_LOL	TX IC Lock Indicator. (FAWS_TYPE_B) 0: Locked, 1: Loss of lock.	0
Host Lane FAWS Latch Registers						
B610	16			Host Lane m Fault and Status Latch	16 registers, one for each host lane, represent 16 host lanes. m = 0, 1, ..., M-1. M_max = 16. Actual M is module dependent.	0000h
		RO	15~2	Reserved		0
		RO/LH/COR	1	Lane TX FIFO Error Latch	1: Latched.	0
		RO/LH/COR	0	TX_HOST_LOL Latch	1: Latched.	0
Host Lane FAWS Enable Registers						
B620	16			Host Lane m Fault and Status Enable	16 registers, one for each host lane, represent 16 host lanes. m = 0, 1, ..., M-1. M_max = 16. Actual M is module dependent.	0001h
		RO	15~2	Reserved		0
		RW	1	Lane TX FIFO Error Enable	1: Enable.	0
		RW	0	TX_HOST_LOL Enable	1: Enable.	1
Host Lane Digital PRBS Registers						
B630	16	RO		Host Lane m PRBS TX Error Count	16 registers, one for each host lane, represent 16 host lanes. m = 0, 1, ..., M-1. M_max = 16. Actual M is module dependent. This counter increases upon detection of each RX checker error when host lane TX PRBS checker is enabled. It stops counting when the TX PRBS checker is disabled. It uses an ad-hoc floating point number format with a 6-bit unsigned exponent and a 10-bit unsigned mantissa.	0000h
			15~1 0	Exponent	6-bit unsigned exponent.	0
			9~0	Mantissa	10-bit mantissa giving better than 0.1% accuracy in bit counts.	0
Host Lane Control Registers						
B640	16			Host Lane m Control	16 registers, one for each host lane, represent 16 host lanes. n = 0, 1, ..., M-1. M_max = 16. Actual M is module dependent.	0007h
		RO	15~1 2	Reserved		
		RW	11~4	Signal Equalization	8 bit field, unsigned integer: 0~127: Reserved - MSA, 128~255: Reserved - Vendor Specific	0
		RW	3~0	Signal Pre/De-emphasis	4-bits unassigned number N represents the pre/de-emphasis applied. Pre/De-emphasis = N * 0.5 dB, N = 0, ..., 15. The power on default is 3.5 dB with a value of 7 in this field	7
Host Lane TX Status Registers						
B650	16	RO		Host Lane TX Alignment Status		
			15	CDR Lock Fault	Definition is Module Vendor Specified 0: Not Active, 1: Active	0
			14	Loss of Alignment	Definition is Module Vendor Specified 0: Not Active, 1: Active	0

MSA-100GLH Host Lane VR 1						
Hex Addr	Size	Access Type	Bit	Register Name Bit Field Name	Description	Init Value
			13	Out of Alignment	Definition is Module Vendor Specified 0: Not Active, 1: Active	0
			12	Deskew Lock Fault	Definition is Module Vendor Specified 0: Not Active, 1: Active	0
			11~0	Reserved		0
B660	16	RO/LH/ COR		Host Lane TX Alignment Status Latch		
			15	CDR Lock Fault Latch	0: Not Latched, 1: Latched	0
			14	Loss of Alignment Latch	0: Not Latched, 1: Latched	0
			13	Out of Alignment Latch	0: Not Latched, 1: Latched	0
			12	Deskew Lock Fault Latch	0: Not Latched, 1: Latched	0
			11~0	Reserved		0
B670	16	RW		Host Lane TX Alignment Status Enable		
			15	CDR Lock Fault Enable	0: Disabled, 1: Enabled	0
			14	Loss of Alignment Enable	0: Disabled, 1: Enabled	0
			13	Out of Alignment Enable	0: Disabled, 1: Enabled	0
			12	Deskew Lock Fault Enable	0: Disabled, 1: Enabled	0
			11~0	Reserved		0
B680	16	RO		Host Lane TX Alignment Status PM Interval		
			15	CDR Lock Fault occurred over PM interval	0: Did Not Occur, 1: Occurred	0
			14	Loss of Alignment occurred over PM interval	0: Did Not Occur, 1: Occurred	0
			13	Out of Alignment occurred over PM interval	0: Did Not Occur, 1: Occurred	0
			12	Deskew Lock Fault occurred over PM interval	0: Did Not Occur, 1: Occurred	0
			11~0	Reserved		0
Host Lane RX Status Registers						
B690	16	RO		Host Lane RX Alignment Status		
			15	Loss of Alignment	Definition is Module Vendor Specified 0: Not Active, 1: Active	0
			14	Out of Alignment	Definition is Module Vendor Specified 0: Not Active, 1: Active	0
			13	CMU Lock Fault	Definition is Module Vendor Specified 0: Not Active, 1: Active	0
			12~0	Reserved		0
B6A0	16	RO/LH/ COR		Host Lane RX Alignment Status Latch		
			15	Loss of Alignment Latch	0: Not Latched, 1: Latched	0
			14	Out of Alignment Latch	0: Not Latched, 1: Latched	0
			13	CMU Lock Fault Latch	0: Not Latched, 1: Latched	0
			12~0	Reserved		0
B6B0	16	RW		Host Lane RX Alignment Status Enable		
			15	Loss of Alignment Enable	0: Disabled, 1: Enabled	0
			14	Out of Alignment Enable	0: Disabled, 1: Enabled	0
			13	CMU Lock Fault Enable	0: Disabled, 1: Enabled	0
			12~0	Reserved		0
B6C0	16	RO		Host Lane RX Alignment Status PM Interval		
			15	Loss of Alignment occurred over PM interval	0: Did Not Occur, 1: Occurred	0
			14	Out of Alignment occurred over PM interval	0: Did Not Occur, 1: Occurred	0

MSA-100GLH Host Lane VR 1						
Hex Addr	Size	Access Type	Bit	Register Name Bit Field Name	Description	Init Value
			13	CMU Lock Fault occurred over PM interval	0: Did Not Occur, 1: Occurred	0
			12~0	Reserved		0
B6D0	48	RO		Reserved		0
Host Lane OTN/FEC-related Registers (Optional)						
Host Lane OTN FAWS Registers (Optional)						
B700	16	RO		Host Lane TX OTN Status		
			15	OTN LOF	0: Not Active, 1: Active	0
			14	OTN OOF	0: Not Active, 1: Active	0
			13	OTN LOM	0: Not Active, 1: Active	0
			12	OTN OOM	0: Not Active, 1: Active	0
			11	OTN IAE	0: Not Active, 1: Active	0
			10	OTN SM BDI	0: Not Active, 1: Active	0
			9	OTN OTU-AIS	0: Not Active, 1: Active	0
			8	OTN ODU-AIS	0: Not Active, 1: Active	0
			7~0	Reserved		0
B710	16	RO/LH/ COR		Host Lane TX OTN Status Latch		
			15	OTN LOF Latch	0: Not Latched, 1: Latched	0
			14	OTN OOF Latch	0: Not Latched, 1: Latched	0
			13	OTN LOM Latch	0: Not Latched, 1: Latched	0
			12	OTN OOM Latch	0: Not Latched, 1: Latched	0
			11	OTN IAE Latch	0: Not Latched, 1: Latched	0
			10	OTN SM BDI Latch	0: Not Latched, 1: Latched	0
			9	OTN OTU-AIS Latch	0: Not Latched, 1: Latched	0
			8	OTN ODU-AIS Latch	0: Not Latched, 1: Latched	0
			7~0	Reserved		0
B720	16	RW		Host Lane TX OTN Status Enable		
			15	OTN LOF Enable	0: Disabled, 1: Enabled	0
			14	OTN OOF Enable	0: Disabled, 1: Enabled	0
			13	OTN LOM Enable	0: Disabled, 1: Enabled	0
			12	OTN OOM Enable	0: Disabled, 1: Enabled	0
			11	OTN IAE Enable	0: Disabled, 1: Enabled	0
			10	OTN SM BDI Enable	0: Disabled, 1: Enabled	0
			9	OTN OTU-AIS Enable	0: Disabled, 1: Enabled	0
			8	OTN ODU-AIS Enable	0: Disabled, 1: Enabled	0
			7~0	Reserved		0
B730	16	RO		Host Lane TX OTN Status PM Interval		
			15	OTN LOF occurred over PM interval	0: Did Not Occur, 1: Occurred	0
			14	OTN OOF occurred over PM interval	0: Did Not Occur, 1: Occurred	0
			13	OTN LOM occurred over PM interval	0: Did Not Occur, 1: Occurred	0
			12	OTN OOM occurred over PM interval	0: Did Not Occur, 1: Occurred	0
			11	OTN IAE occurred over PM interval	0: Did Not Occur, 1: Occurred	0
			10	OTN SM BDI occurred over PM interval	0: Did Not Occur, 1: Occurred	0
			9	OTN OTU-AIS occurred over PM interval	0: Did Not Occur, 1: Occurred	0
			8	OTN ODU-AIS occurred over PM interval	0: Did Not Occur, 1: Occurred	0
			7~0	Reserved		0
Host Lane OTN/FEC RX Performance Monitoring Registers (Optional)						
B740	1	RO/MW	15~0	OTN SM BIP-8 error count over PM interval, most significant word (Optional)	Bits 31~16 of 32 bit counter	0
B741	1	RO/MW	15~0	OTN SM BIP-8 error count over	Bits 15~0 of 32 bit counter	0

MSA-100GLH Host Lane VR 1						
Hex Addr	Size	Access Type	Bit	Register Name Bit Field Name	Description	Init Value
				PM interval, least significant word (Optional)		
B742	1	RO/MW	15~0	OTN SM BEI count over PM interval, most significant word (Optional)	Bits 31~16 of 32 bit counter	0
B743	1	RO/MW	15~0	OTN SM BEI count over PM interval, least significant word (Optional)	Bits 15~0 of 32 bit counter	0
B744	60	RO		Reserved		0

1
2
3
4
5
6
7
8
9

6.4.8 MSA-100GLH Network Lane VR2 Registers (Optional)

100G LH DWDM Transmission modulation format dependent performance monitoring statistics registers are specified in *Table 39: MSA-100GLH Network Lane VR 2 Registers*. These registers are optional and their specification is informative.

Table 39: MSA-100GLH Network Lane VR 2 Registers

MSA-100GLH Network Lane VR 2						
Hex Addr	Size	Access Type	Bit	Register Name Bit Field Name	Description	Init Value
Network RX Performance Monitoring Statistics Registers (Optional)						
B800	1	RO/MW	15~0	Current Chromatic Dispersion, most significant word (Optional)	Units are in ps/nm, bits 31~16 of 32 bit counter	0
B810	1	RO/MW	15~0	Current Chromatic Dispersion, least significant word (Optional)	Units are in ps/nm, bits 15~0 of 32 bit counter	0
B820	1	RO/MW	15~0	Average Chromatic Dispersion over PM interval, most significant word (Optional)	Units are in ps/nm, bits 31~16 of 32 bit counter	0
B830	1	RO/MW	15~0	Average Chromatic Dispersion over PM interval, least significant word (Optional)	Units are in ps/nm, bits 15~0 of 32 bit counter	0
B840	1	RO/MW	15~0	Minimum Chromatic Dispersion over PM interval, most significant word (Optional)	Units are in ps/nm, bits 31~16 of 32 bit counter	0
B850	1	RO/MW	15~0	Minimum Chromatic Dispersion over PM interval, least significant word (Optional)	Units are in ps/nm, bits 15~0 of 32 bit counter	0
B860	1	RO/MW	15~0	Maximum Chromatic Dispersion over PM interval, most significant word (Optional)	Units are in ps/nm, bits 31~16 of 32 bit counter	0
B870	1	RO/MW	15~0	Maximum Chromatic Dispersion over PM interval, least significant word (Optional)	Units are in ps/nm, bits 15~0 of 32 bit counter	0
B880	1	RO	15~0	Current Differential Group Delay (DGD) (Optional)	Units are in ps	0
B890	1	RO	15~0	Average Differential Group Delay over PM interval (Optional)	Units are in ps	0
B8A0	1	RO	15~0	Minimum Differential Group Delay over PM interval (Optional)	Units are in ps	0
B8B0	1	RO	15~0	Maximum Differential Group Delay	Units are in ps	0

MSA-100GLH Network Lane VR 2						
Hex Addr	Size	Access Type	Bit	Register Name Bit Field Name	Description	Init Value
				over PM interval (Optional)		
B8C0	1	RO	15~0	Current SOPMD (Optional)	Definition TBD.	0
B8D0	1	RO	15~0	Average SOPMD over PM interval (Optional)	Definition TBD.	0
B8E0	1	RO	15~0	Minimum SOPMD over PM interval (Optional)	Definition TBD.	0
B8F0	1	RO	15~0	Maximum SOPMD over PM interval (Optional)	Definition TBD.	0
B900	1	RO	15~0	Current State of Polarization (Optional)	Units are in rad/s	0
B910	1	RO	15~0	Average State of Polarization over PM interval (Optional)	Units are in rad/s	0
B920	1	RO	15~0	Minimum State of Polarization over PM interval (Optional)	Units are in rad/s	0
B930	1	RO	15~0	Maximum State of Polarization over PM interval (Optional)	Units are in rad/s	0
B940	1	RO	15~0	Current Polarization Dependent Loss (Optional)	Units are in 0.1dB for the LSB	0
B950	1	RO	15~0	Average Polarization Dependent Loss over PM interval (Optional)	Units are in 0.1dB for the LSB	0
B960	1	RO	15~0	Minimum Polarization Dependent Loss over PM interval (Optional)	Units are in 0.1dB for the LSB	0
B970	1	RO	15~0	Maximum Polarization Dependent Loss over PM interval (Optional)	Units are in 0.1dB for the LSB	0
B980	1	RO	15~0	Current Q (Optional)	Units are in 0.1dB for the LSB	0
B990	1	RO	15~0	Average Q over PM interval (Optional)	Units are in 0.1dB for the LSB	0
B9A0	1	RO	15~0	Minimum Q over PM interval (Optional)	Units are in 0.1dB for the LSB	0
B9B0	1	RO	15~0	Maximum Q over PM interval (Optional)	Units are in 0.1dB for the LSB	0
B9C0	1	RO	15~0	Current Carrier Frequency Offset (Optional)	Units are in MHz	0
B9D0	1	RO	15~0	Average Carrier Frequency Offset over PM interval (Optional)	Units are in MHz	0
B9E0	1	RO	15~0	Minimum Carrier Frequency Offset over PM interval (Optional)	Units are in MHz	0
B9F0	1	RO	15~0	Maximum Carrier Frequency Offset over PM interval (Optional)	Units are in MHz	0
BA00	1	RO	15~0	Current SNR (Optional)	Units are in 0.1dB for the LSB	0
BA10	1	RO	15~0	Average SNR over PM interval (Optional)	Units are in 0.1dB for the LSB	0
BA20	1	RO	15~0	Minimum SNR over PM interval (Optional)	Units are in 0.1dB for the LSB	0
BA30	1	RO	15~0	Maximum SNR over PM interval (Optional)	Units are in 0.1dB for the LSB	0
BA40	192	RO		Reserved		0

1
2

1
2
3
4
5
6
7
8
9

6.4.9 Bulk Data Transfer Segment Registers

Registers 0xBC00h to 0xBFFFh are allocated for bulk data transfer use.

Table 40: Bulk Data Transfer VR 2 Registers

MSA-100GLH Bulk Data Transfer VR 2						
<i>Hex Addr</i>	<i>Size</i>	<i>Access Type</i>	<i>Bit</i>	<i>Register Name Bit Field Name</i>	<i>Description</i>	<i>Init Value</i>
Bulk Data Transfer Registers						
BC00	512	WO	15~0	Host-To-Module Bulk Data Transfer block	Variable size bulk data transfer block for transactions from Host to Module.	0
BE00	512	RO	15~0	Module-To-Host Bulk Data Transfer block	Variable size bulk data transfer block for transactions from Module to Host.	0

END OF DOCUMENT (V2.0 R09)