

**Product Brief**  
**10Gbit/s XFP Transceiver 1550nm 80km**  
**TDM & DWDM C-Band 100GHz Spacing Application**  
**(TRX10GEA3x01/Cxx)**

**Features**

- Fully compliant to XFP MSA Rev. 4.5
- Multi-Rates for SONET/SDH and Ethernet Applications
- Supports 9.95Gb/s to 11.3Gbit/s transmission and FEC functionality
- Transmission distance up to 80km over single mode fiber
- TDM or DWDM with 100GHz spacing
- Low power consumption below 3.5W (Max)
- Wide operating temperature range: 0°C to +70°C
- Laser Class 1 compliant
- Electro-absorption Modulated Laser (EML)
- LC duplex connector
- Hot pluggable 30pin connector
- XFI electrical interface, AC-coupled
- Compliant with the EU RoHS 6 environmental requirements



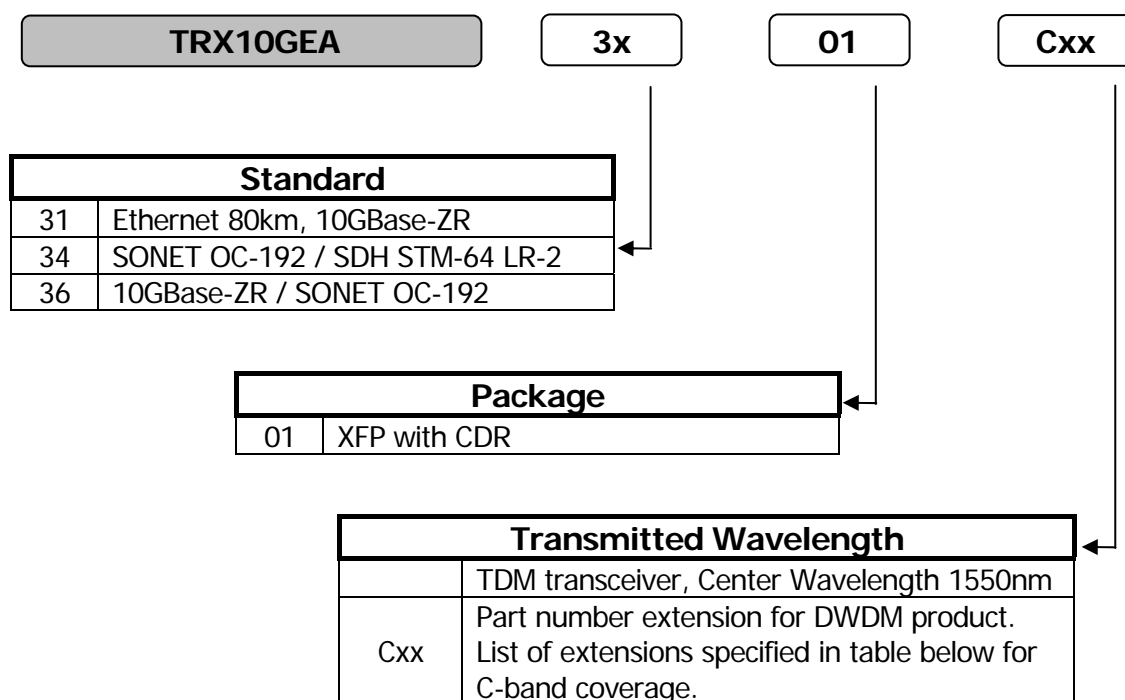
**General Description and Applications**

The TRX10GEA3x01/Cxx is a multi-purpose serial optical transceiver family for 10Gbit/s data transmission applications. The standard compliant transceiver is ideally suited for Datacom and SONET/SDH applications. Designed for extended reach the transceiver module comprises a transmitter with an Electro-absorption Modulated Laser (EML) and a receiver with APD photodiode. The transceiver operates within a wide temperature range of 0°C to +70°C and offers optimum heat dissipation. The transceiver also provides excellent electromagnetic shielding thus enabling high port densities for 10Gbit/s systems. A 30 pin electrical connector and a duplex LC connector optical interface to assure the MSA compliant connectivity of the solid metal XFP package.

Standard	Description	Nominal Baud Rate	Unit
SDH	ITU-T G.691	9.95	GBd
SDH	ITU G.709 (OUT-2) OC-192 with FEC	10.71	GBd
SONET	GR-253-Core	9.95	GBd
Ethernet 80km	10GBASE-ZR	10.31	GBd



## Ordering Information



Center Wavelength Table Against Part Number Extension for DWDM XFP											
Extension	GHz	nm	Extension	GHz	nm	Extension	GHz	nm	Extension	GHz	nm
1	190100	1577,03	19	191900	1562,23	37	193700	1547,72	55	195500	1533,47
2	190200	1576,20	20	192000	1561,42	38	193800	1546,92	56	195600	1532,68
3	190300	1575,37	21	192100	1560,61	39	193900	1546,12	57	195700	1531,90
4	190400	1574,54	22	192200	1559,79	40	194000	1545,32	58	195800	1531,12
5	190500	1573,71	23	192300	1558,98	41	194100	1544,53	59	195900	1530,33
6	190600	1572,89	24	192400	1558,17	42	194200	1543,73	60	196000	1529,55
7	190700	1572,06	25	192500	1557,36	43	194300	1542,94	61	196100	1528,77
8	190800	1571,24	26	192600	1556,55	44	194400	1542,14	62	196200	1527,99
9	190900	1570,42	27	192700	1555,75	45	194500	1541,35	63	196300	1527,22
10	191000	1569,59	28	192800	1554,94	46	194600	1540,56	64	196400	1526,44
11	191100	1568,77	29	192900	1554,13	47	194700	1539,77	65	196500	1525,66
12	191200	1567,95	30	193000	1553,33	48	194800	1538,98	66	196600	1524,89
13	191300	1567,13	31	193100	1552,52	49	194900	1538,19	67	196700	1524,11
14	191400	1566,31	32	193200	1551,72	50	195000	1537,40	68	196800	1523,34
15	191500	1565,50	33	193300	1550,92	51	195100	1536,61	69	196900	1522,56
16	191600	1564,68	34	193400	1550,12	52	195200	1535,82	70	197000	1521,79
17	191700	1563,86	35	193500	1549,32	53	195300	1535,04	71	197100	1521,02
18	191800	1563,05	36	193600	1548,51	54	195400	1534,25	72	197200	1520,25

For more technical information, please email us at [info@mergeoptics.com](mailto:info@mergeoptics.com).