

ST STi7167 低成本高性能 HD STB 译码方案

ST 公司的 STi7167 是集成了 DVB-T/DVB-C 解调器的 STB 译码器,提供低成本高性能 HD STB 解决方案,适用于有线电视,地面电视,地面电视/IP 混合网络.本文介绍 STi7167 主要特性,方框图以及地面电视 STB 方框图,混合 IP/地面电视 STB 方框图和 DVR 有线电视 STB 方框图.

STi7167: Advanced STB decoder with integrated DVB-T/DVB-C demodulator The STi7167 uses state-of-the-art process technology to provide a fully featured HD AVC,DVB-C, and DVB-T demodulator/decoder IC. It is a highly integrated system-on-chip, suitable for STB markets across cable, terrestrial,and terrestrial/IP hybrid networks worldwide.

The STi7167 is targeted at the latest Operator and CE manufacturer requirements for STBs that use advanced HD decoding (H264/VC-1/MPEG2), and which conform to DVB, ISMA, ATIS-IIF, SCTE, ATSC, ARIB, CEA, ITU, OpenCable and MSTV specifications.

The STi7167 provides a solution for operators to specify a range of low-cost, high performance HD STBs including low-cost zappers, IP clients, interactive STBs, DVR standalone and DVR server/home network-capable STBs, and with content delivery possible using broadcast or broadband networks, or both (hybrid STBs). The STi7167 keeps pace with the latest conditional access, DRM and trusted platform requirements of major operators worldwide by incorporating the latest generation of advanced security features.

The STi7167 offers current users of ST's growing family of advanced decoding Ics enhancements in performance and features, while reducing cost and time-to-market for the next generation deployments.

STi7167 主要特性:

- Integrated DVB-C or DVB-T demodulator
 - User-selectable mode
 - Compatible with low to high IF tuners
 - Flexible clock management
 - ADC for RF signal strength indicator
- Advanced high-definition video decoding (H264/VC-1/MPEG2)
- Advanced standard-definition video decoding (H264/VC-1/MPEG2/AVS)

- Advanced multichannel audio decoding (MPEG 1, 2, MP3, DD/DD+, AAC/AAC+,WMA9/WMA9Pro)
- Linux, Windows CE and OS21 compatible ST40 applications CPU (450 MHz)
- 32-bit DDR1/DDR2 compatible local memory interface
- Multi-stream, DVR capable transport stream processing
- Extensive connectivity (dual USB hosts, e-SATA (optional), Ethernet MAC/MII/RMII and PCI)
- Advanced security and DRM support including SVP, MS-DRM and DTCP-IP

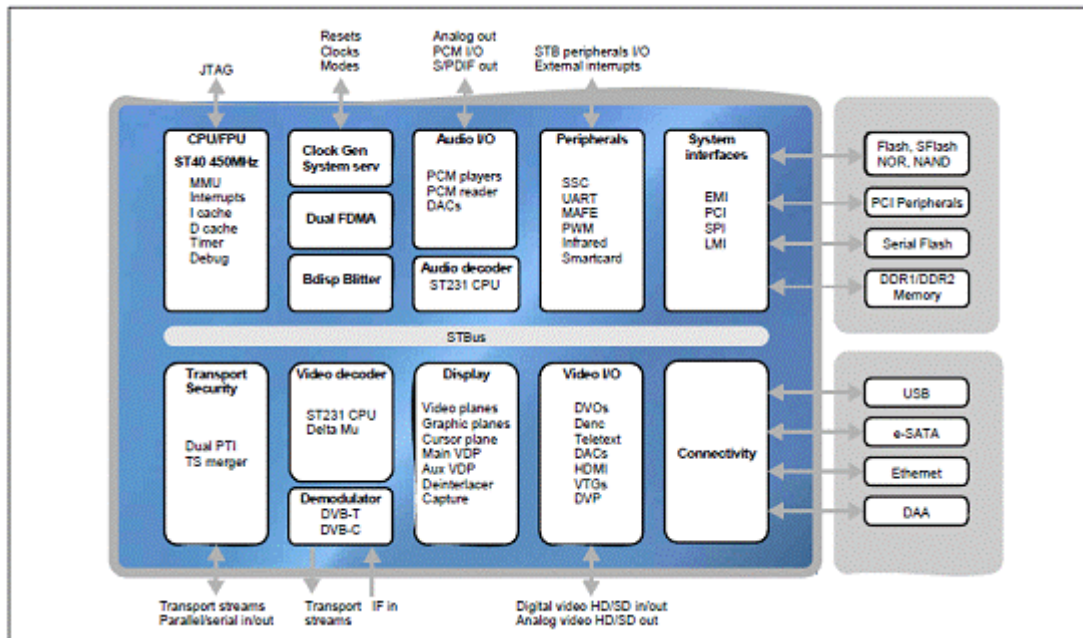


图 1.STi7167 方框图

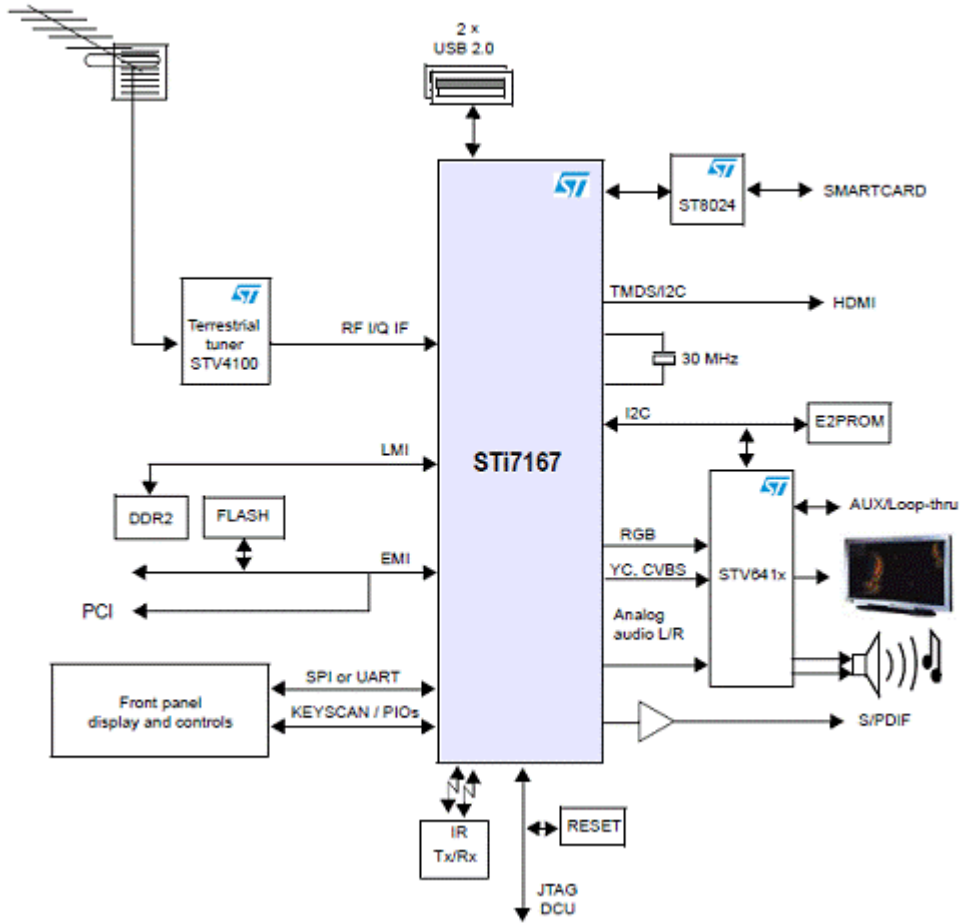


图 2.STi7167 地面电视 STB 方框图

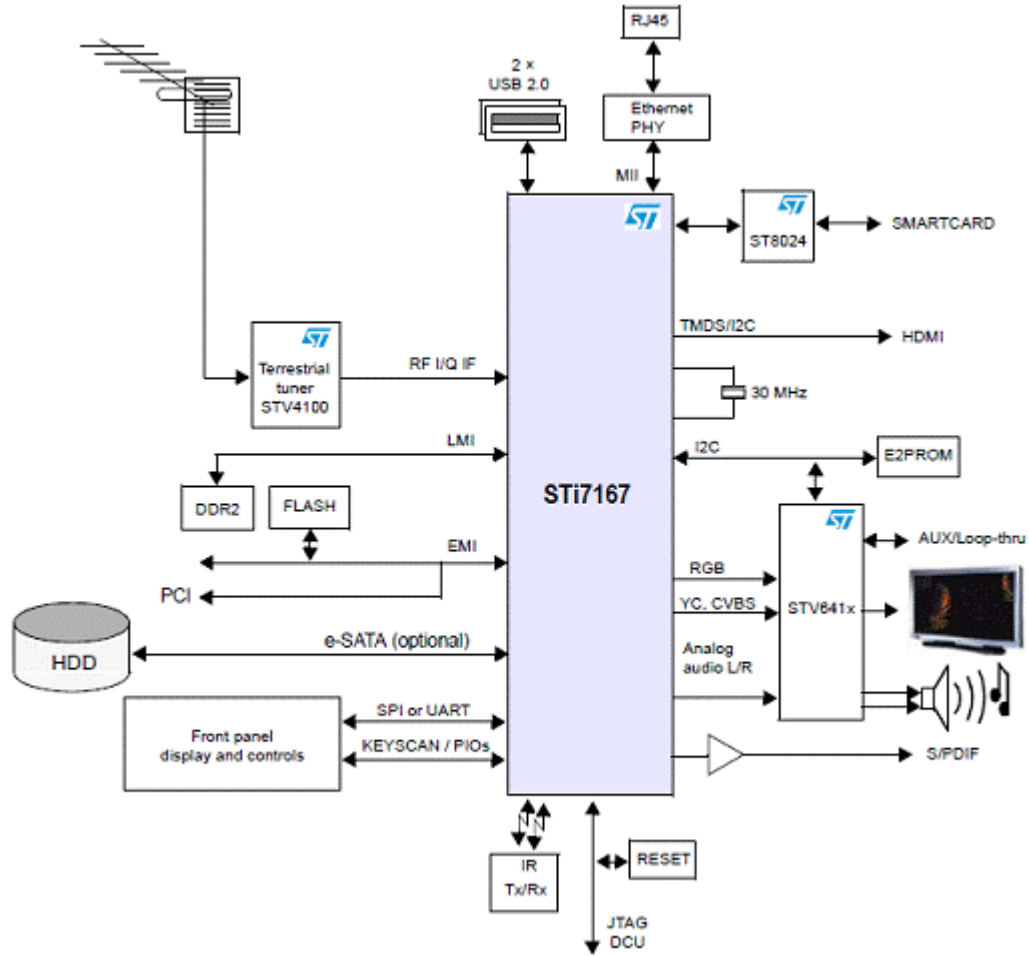


图 3.STi7167 混合 IP/地面电视 STB 方框图

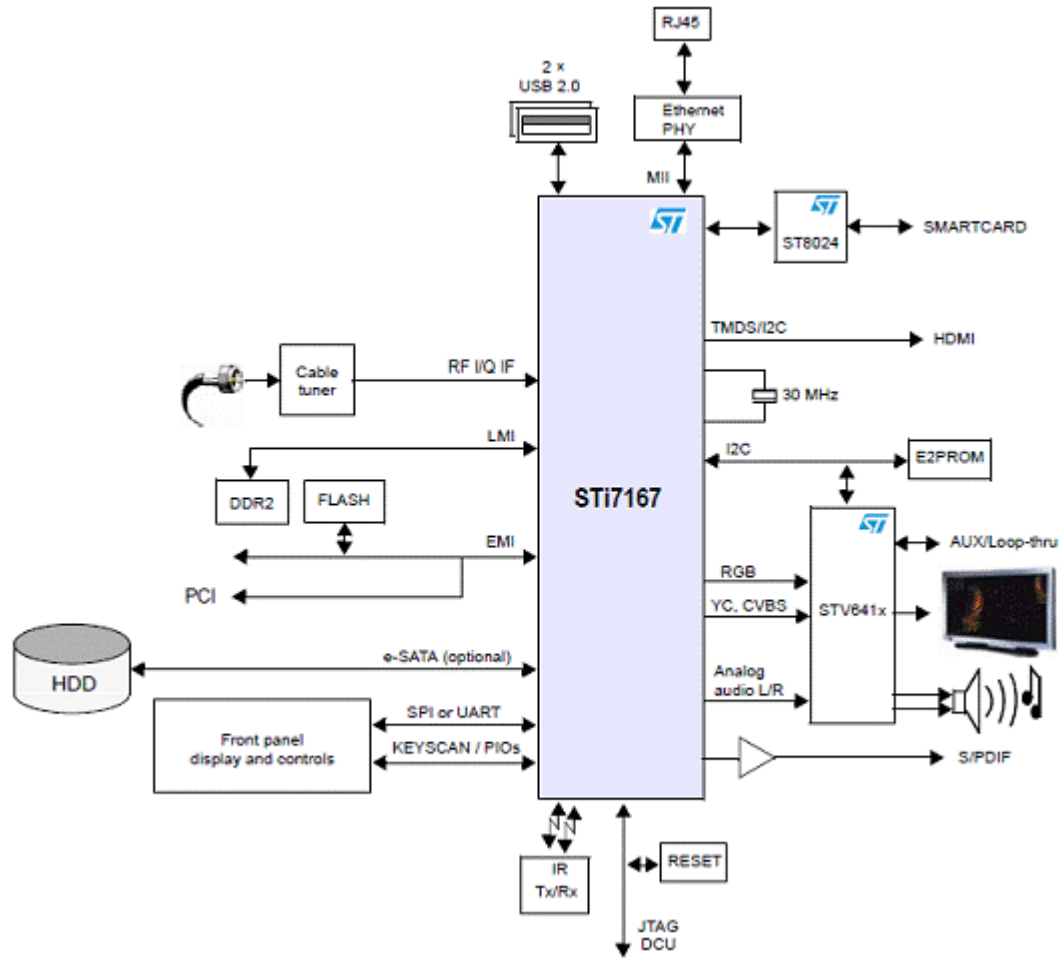


图 4.STi7167 DVR 有线电视 STB 方框图