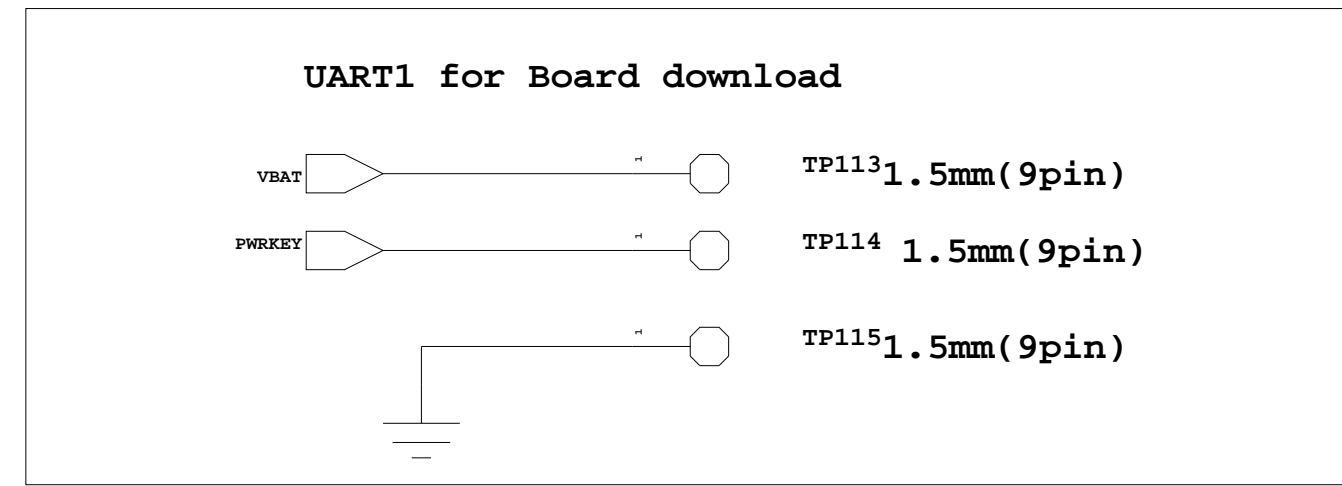
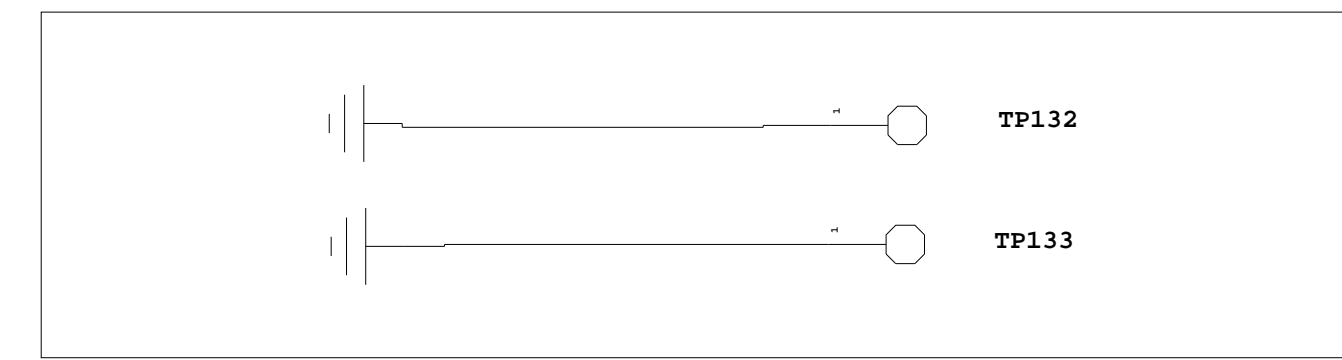
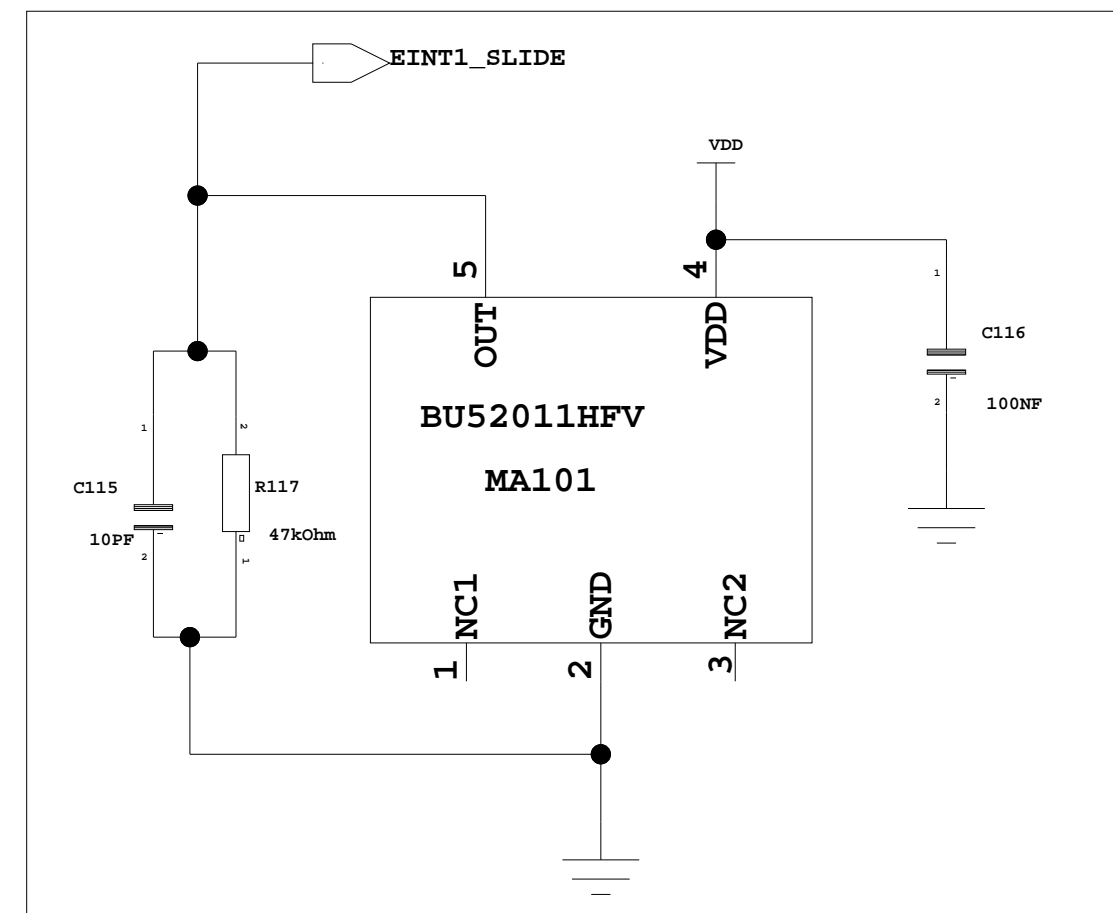
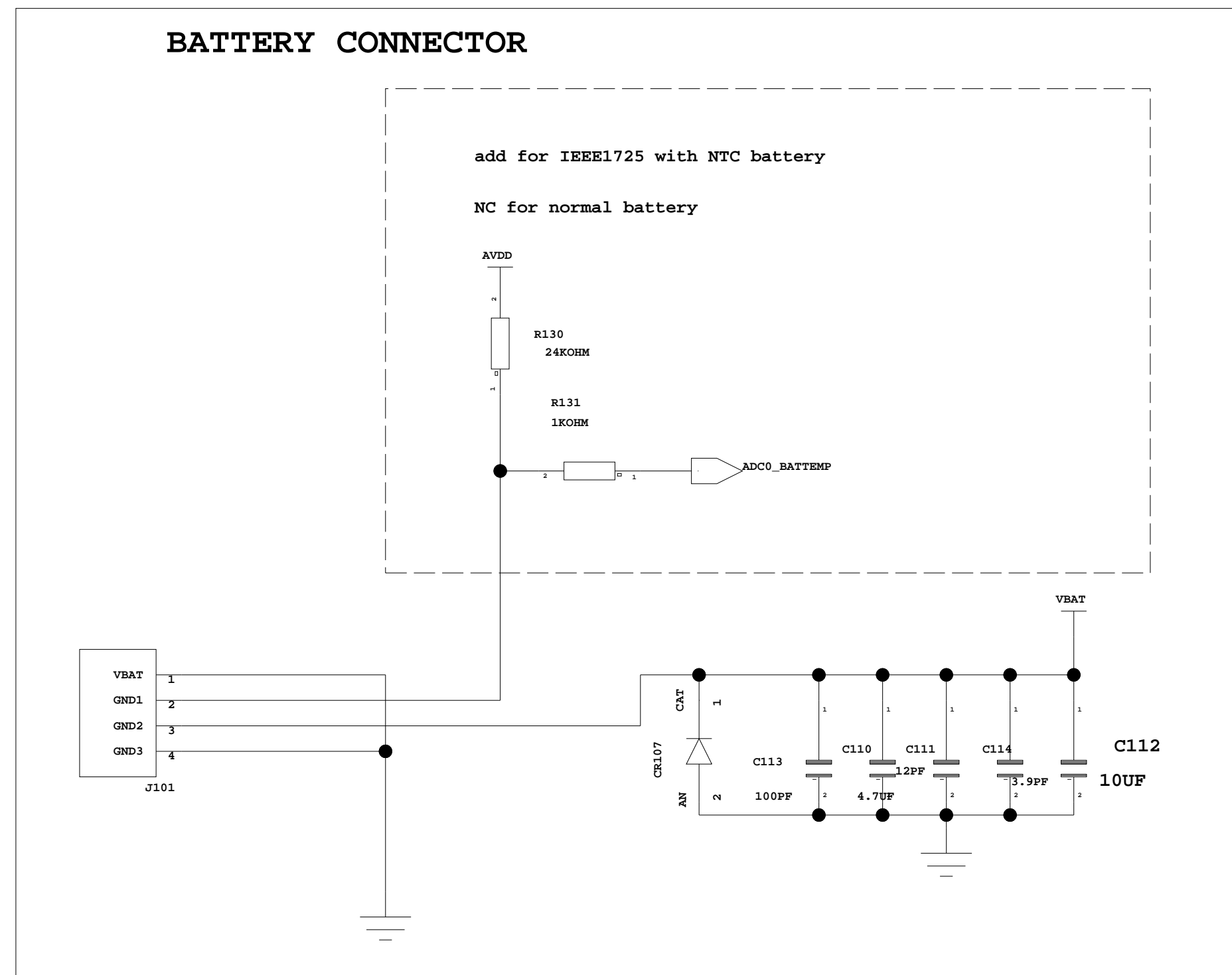
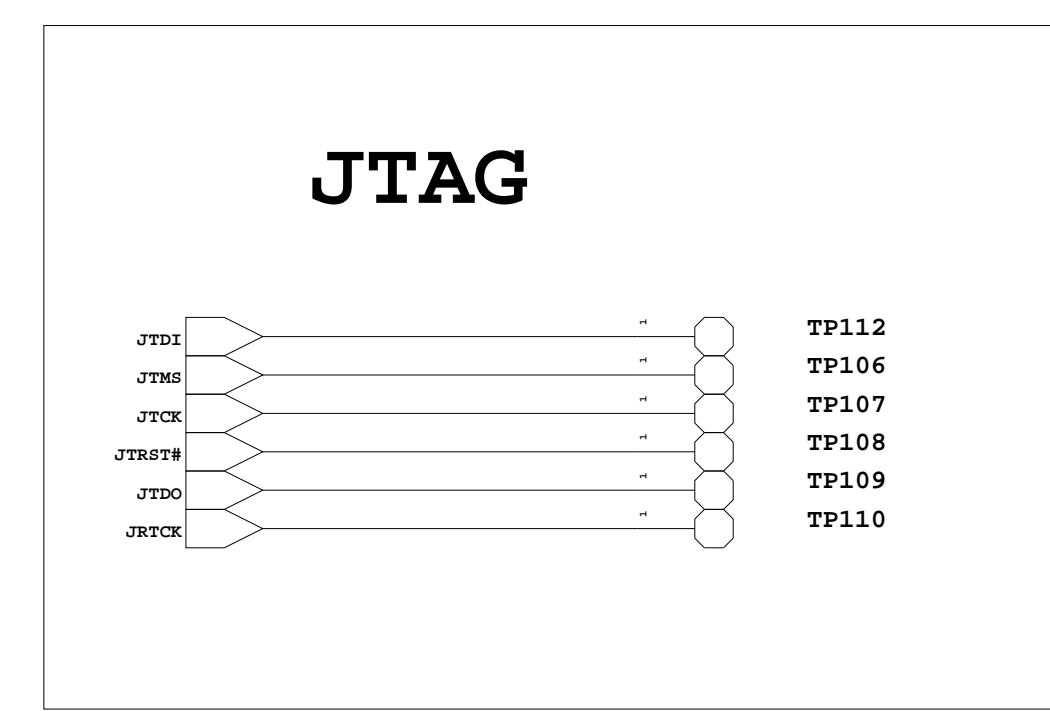


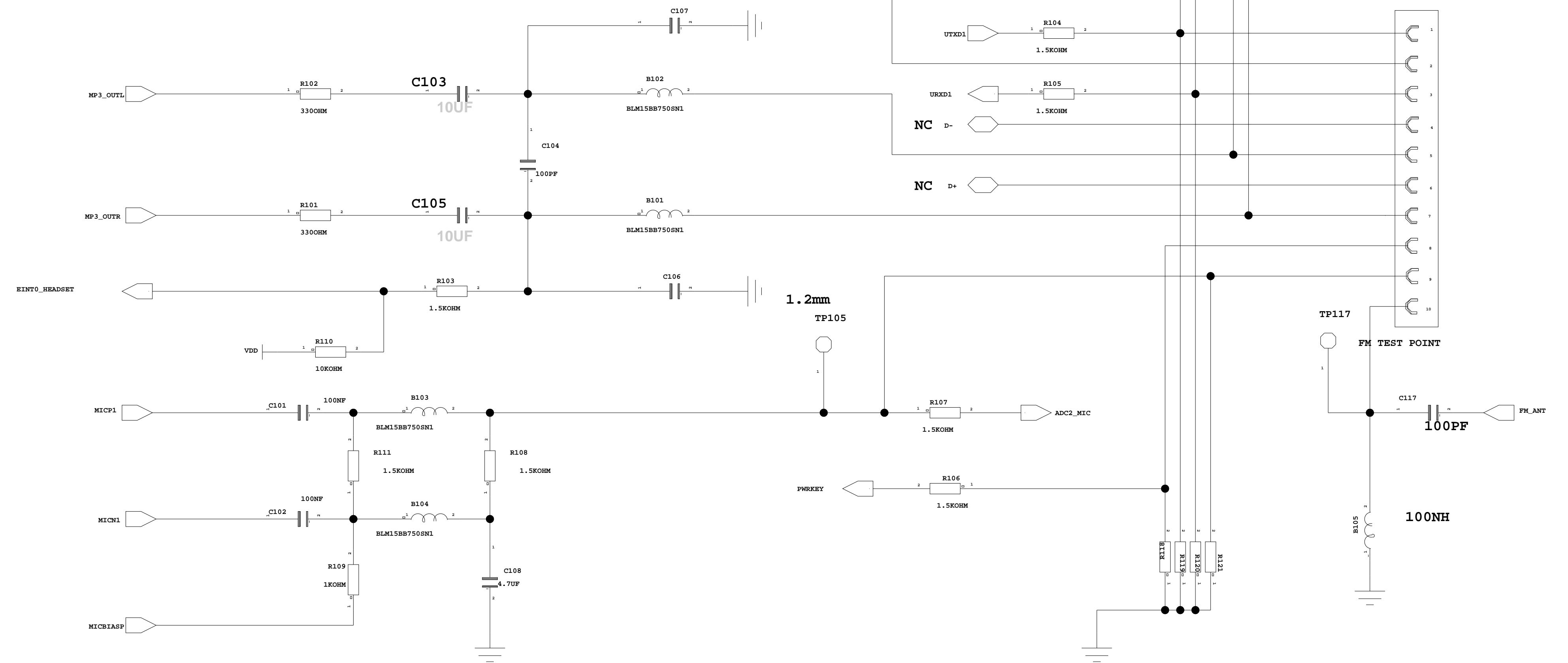
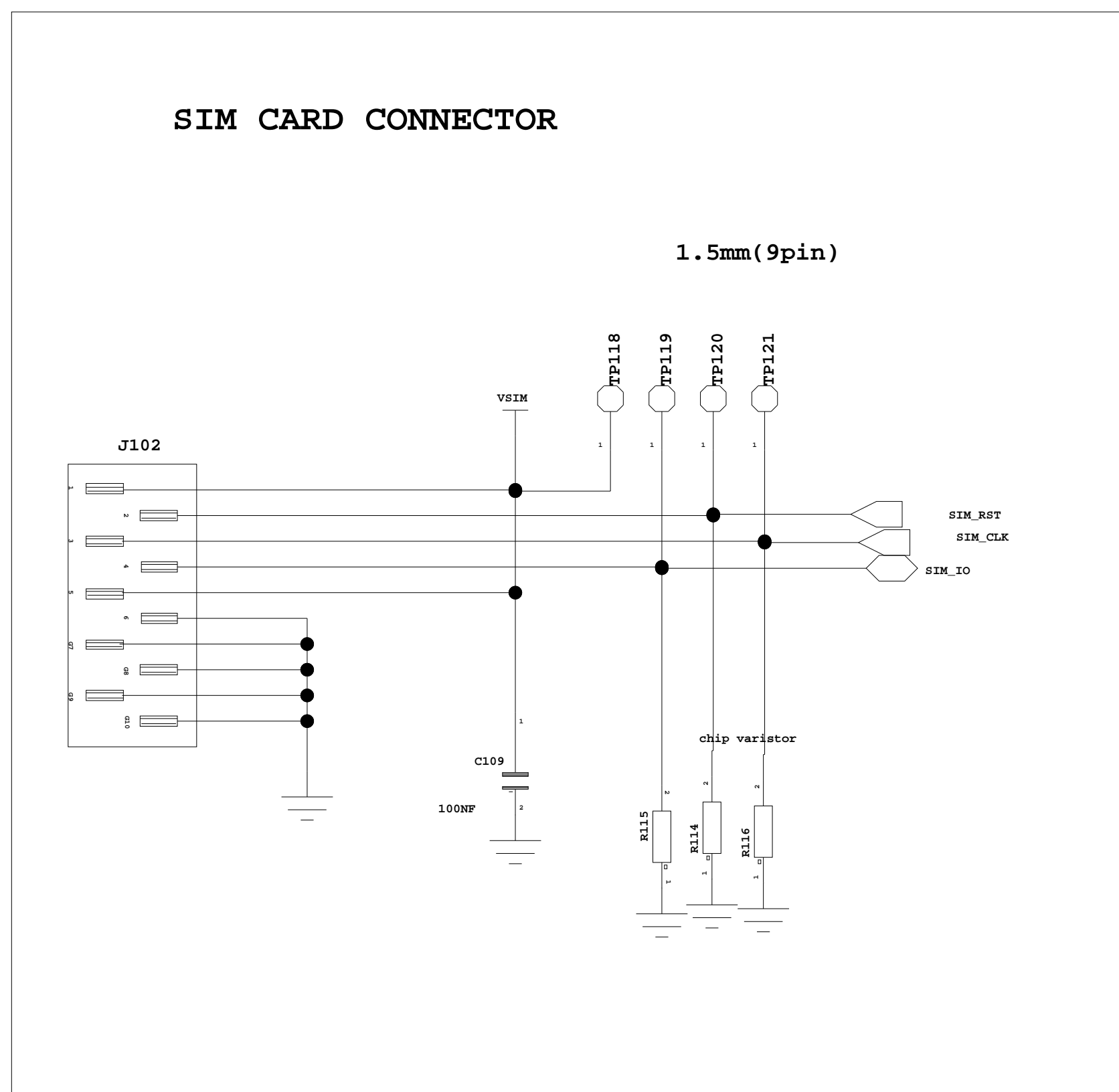
BATTERY CONNECTOR



JTAG



SIM CARD CONNECTOR

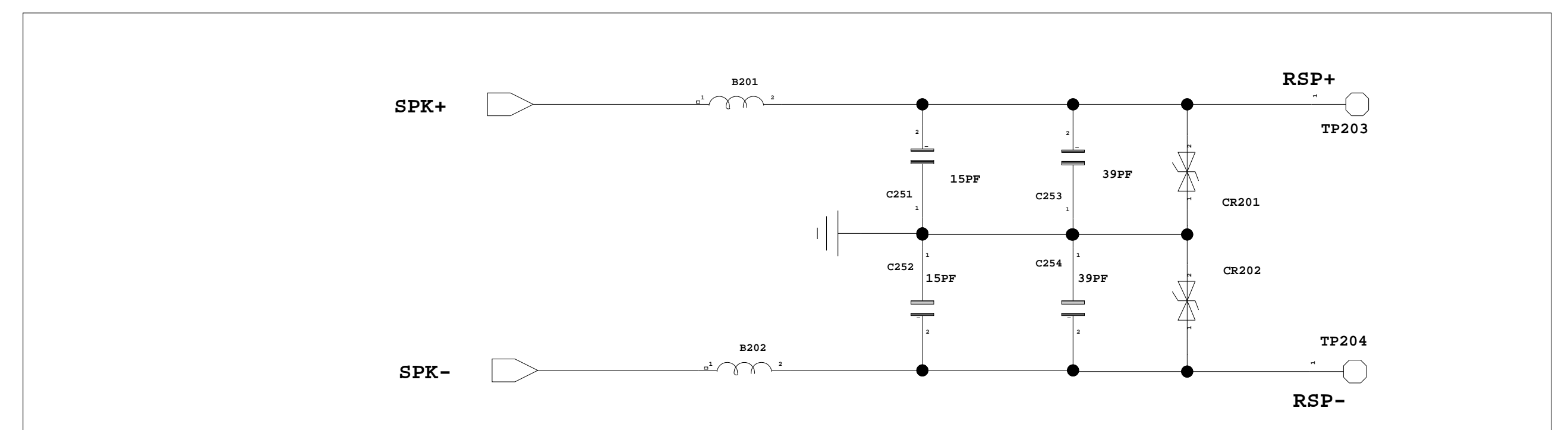
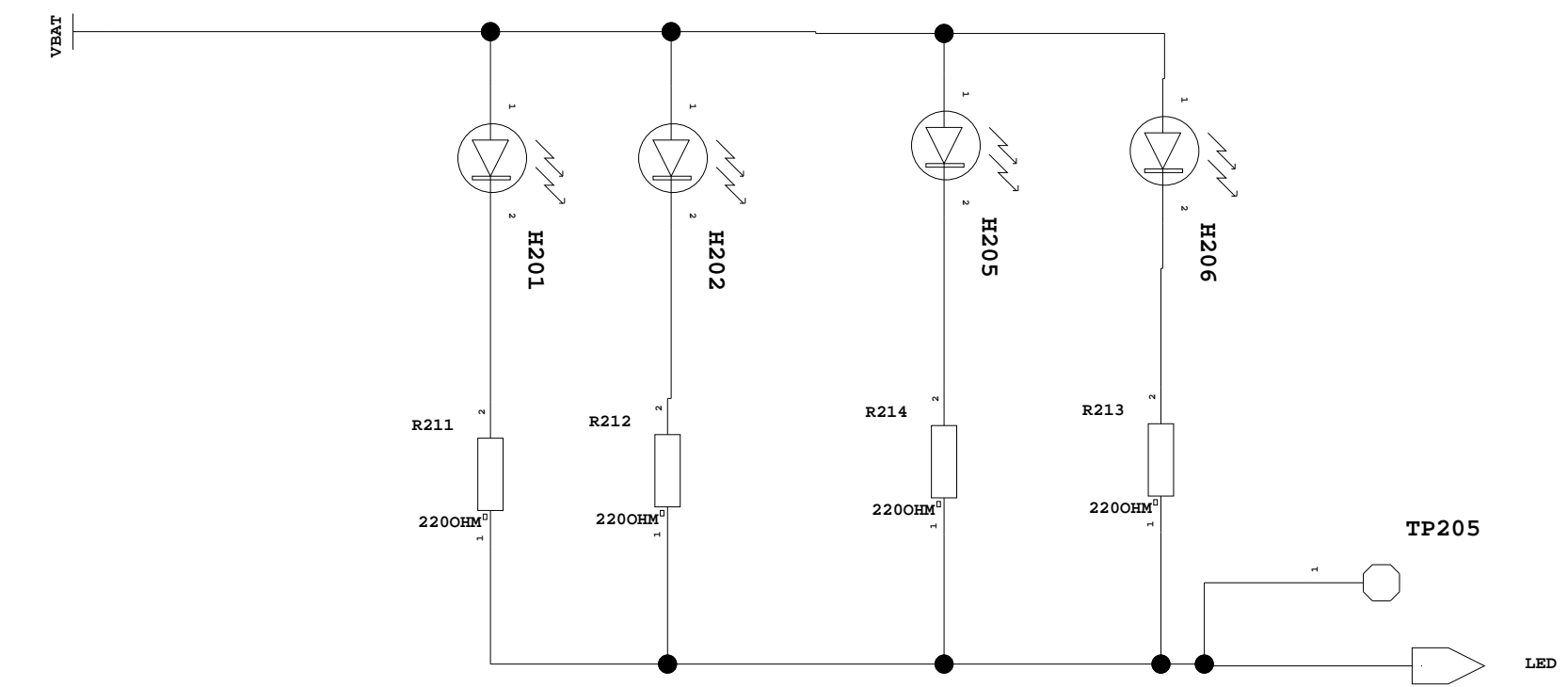
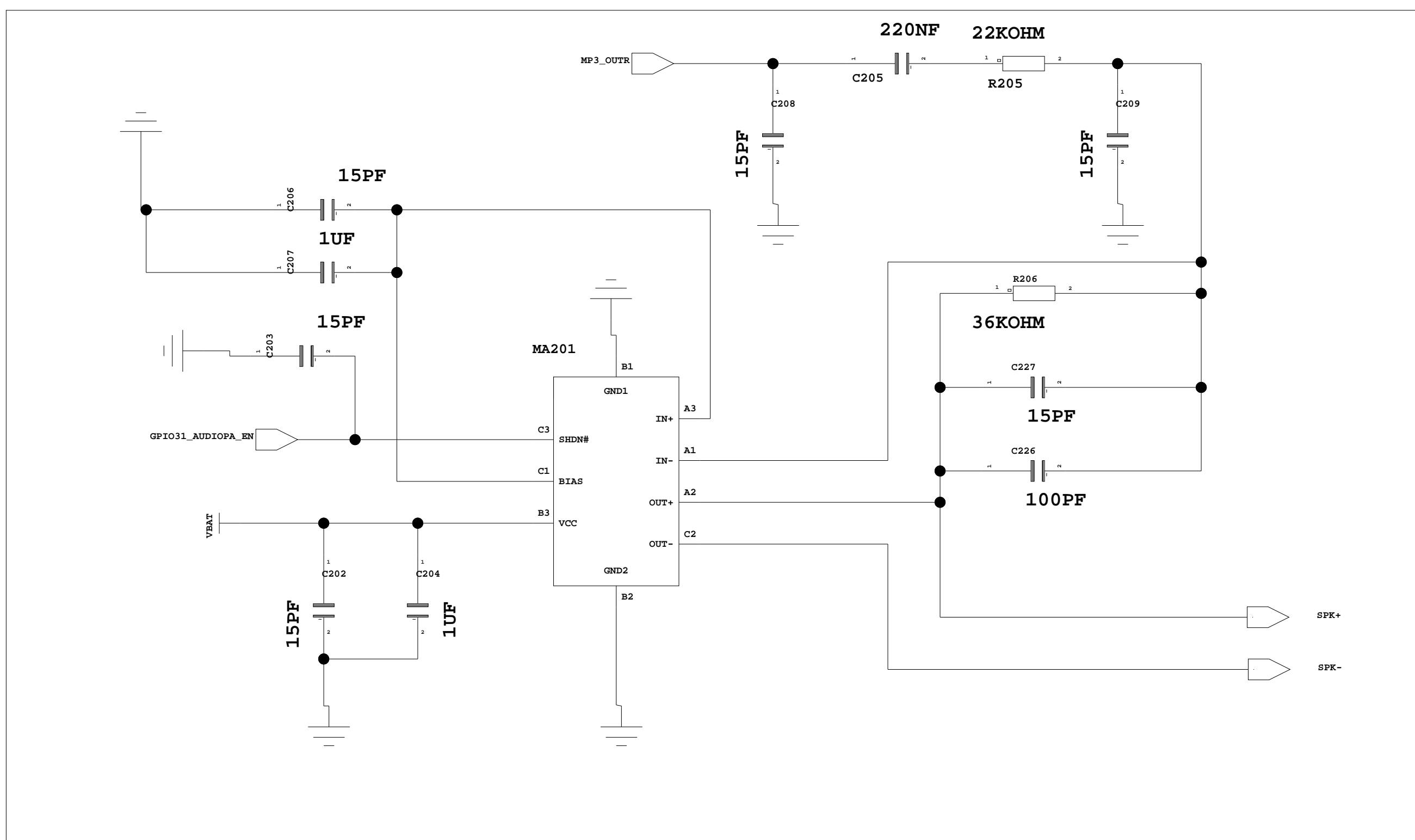
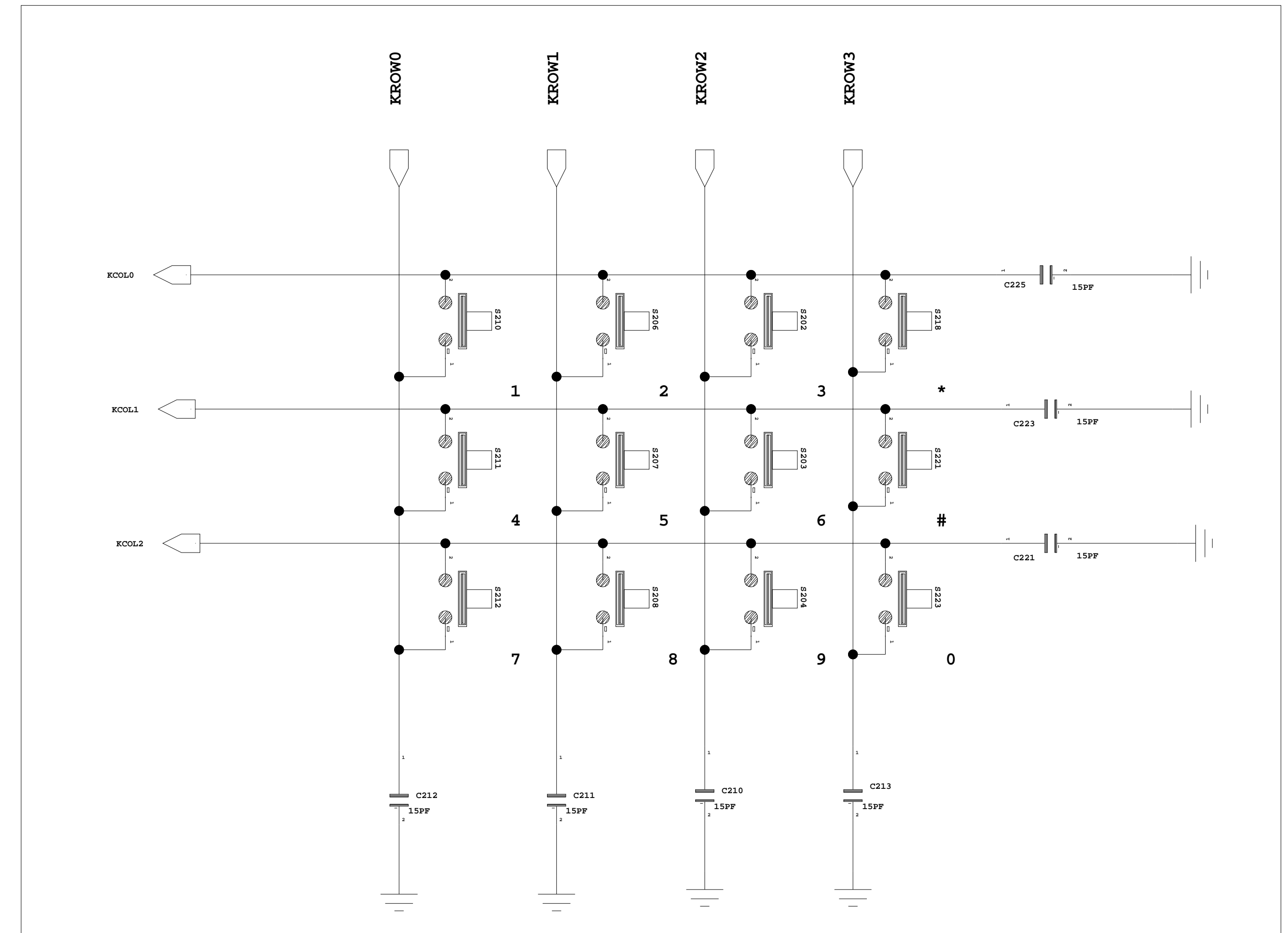
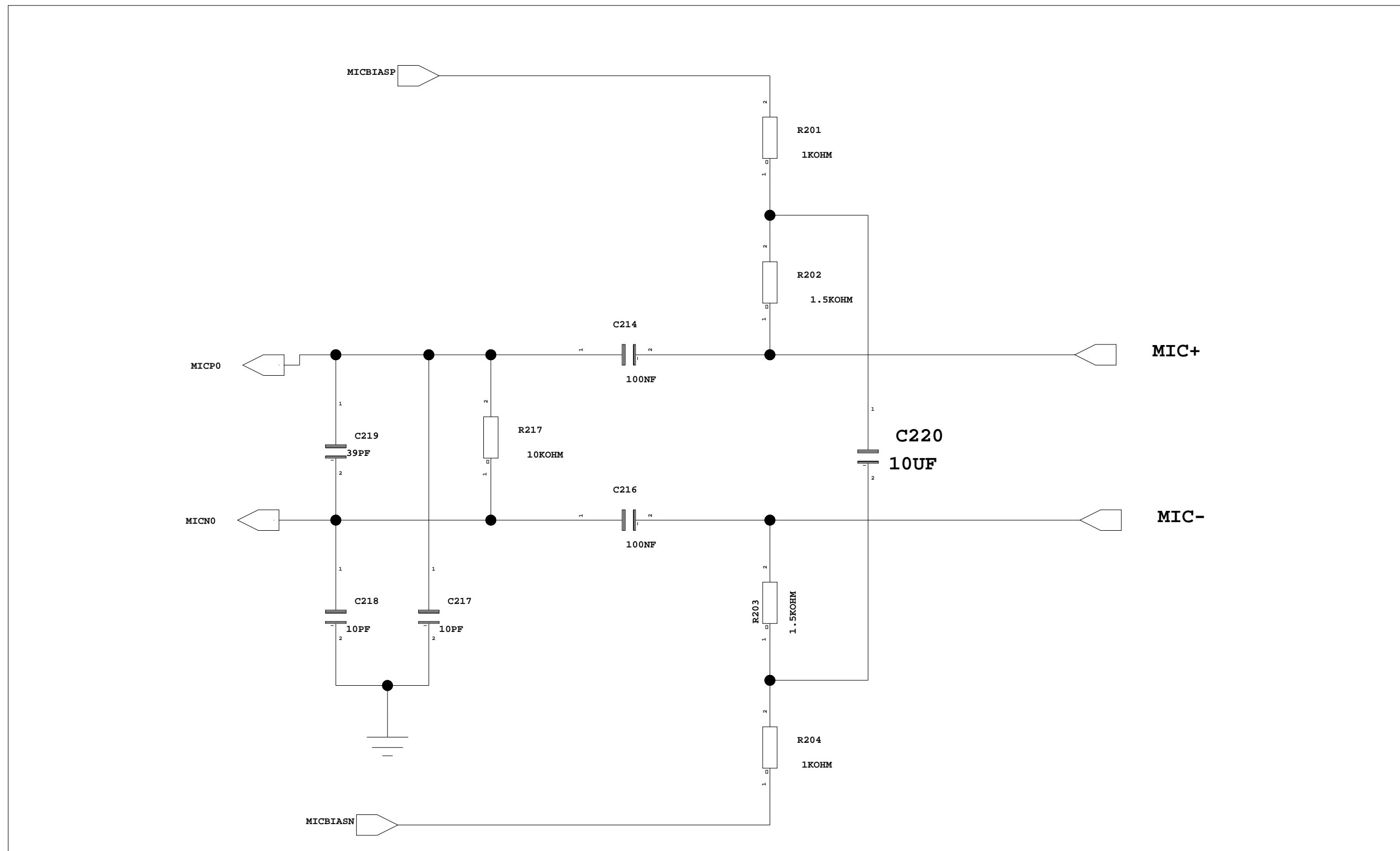


MINI USB (CHARGE/DOWNLOAD/USB/AUDIO JACK)

CONFIDENTIAL

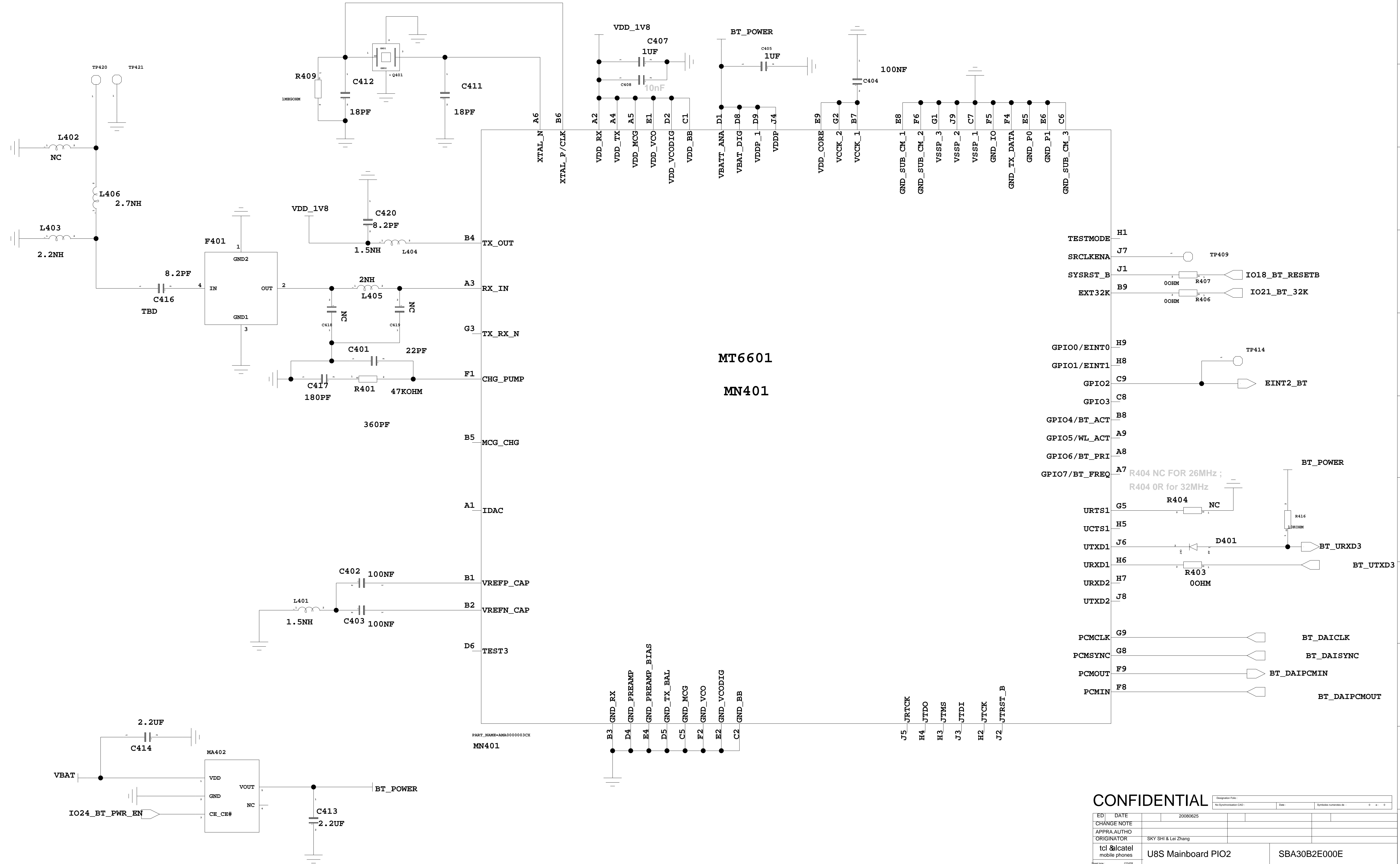
EDT DATE	20080625	Designated File:	No Synthesizer CAD	DWG:	Symbolic numbers in:	0	0	0
CHANGE NOTE								
APPRO AUTHO								
ORIGINATOR	SKY SHI & Lei Zhang							
tcl & alcatel mobile phones	U8S Mainboard PIO2							SBA30B2E000E
Part no:	0000							SN / NOF

AUDIO



CONFIDENTIAL

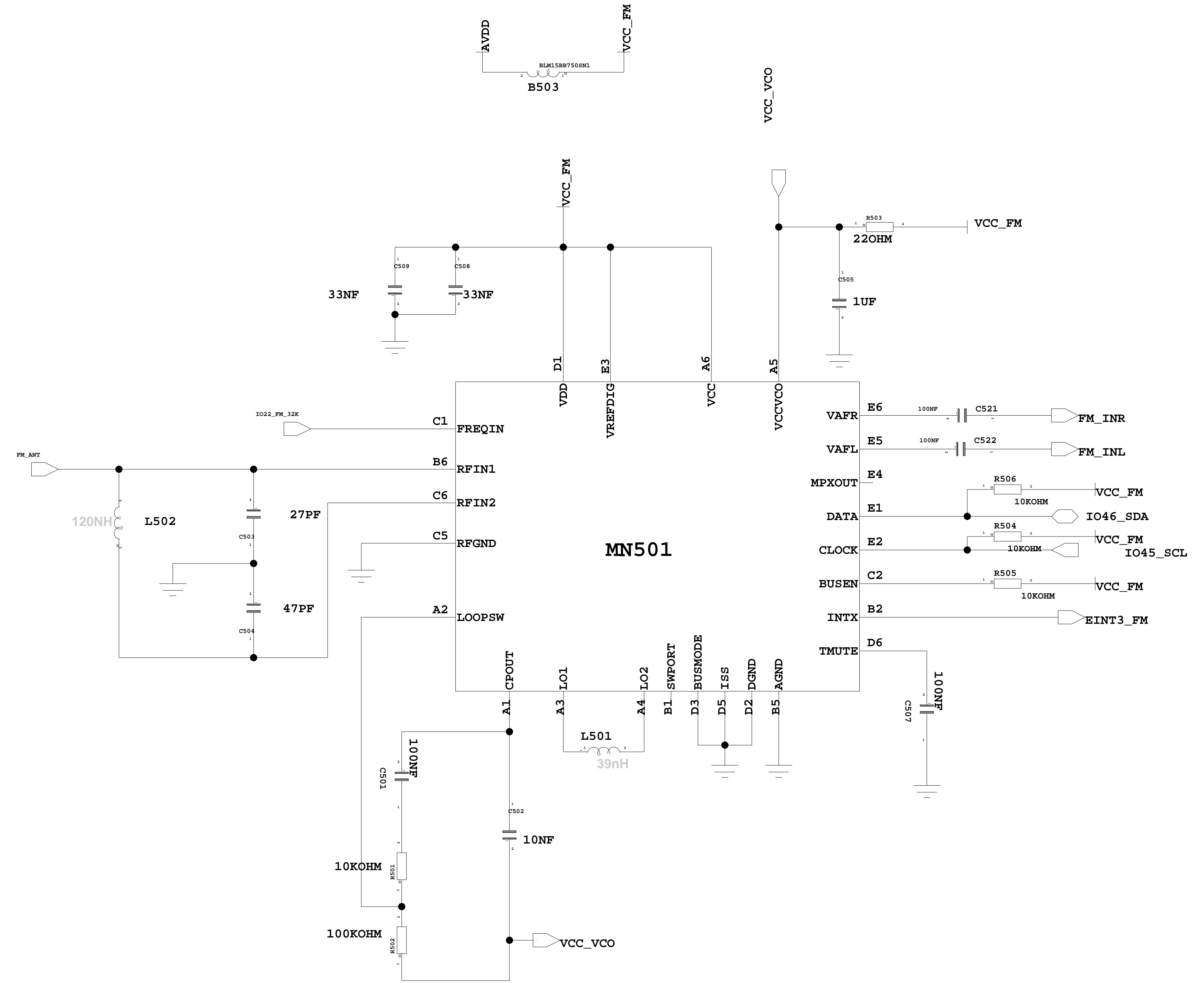
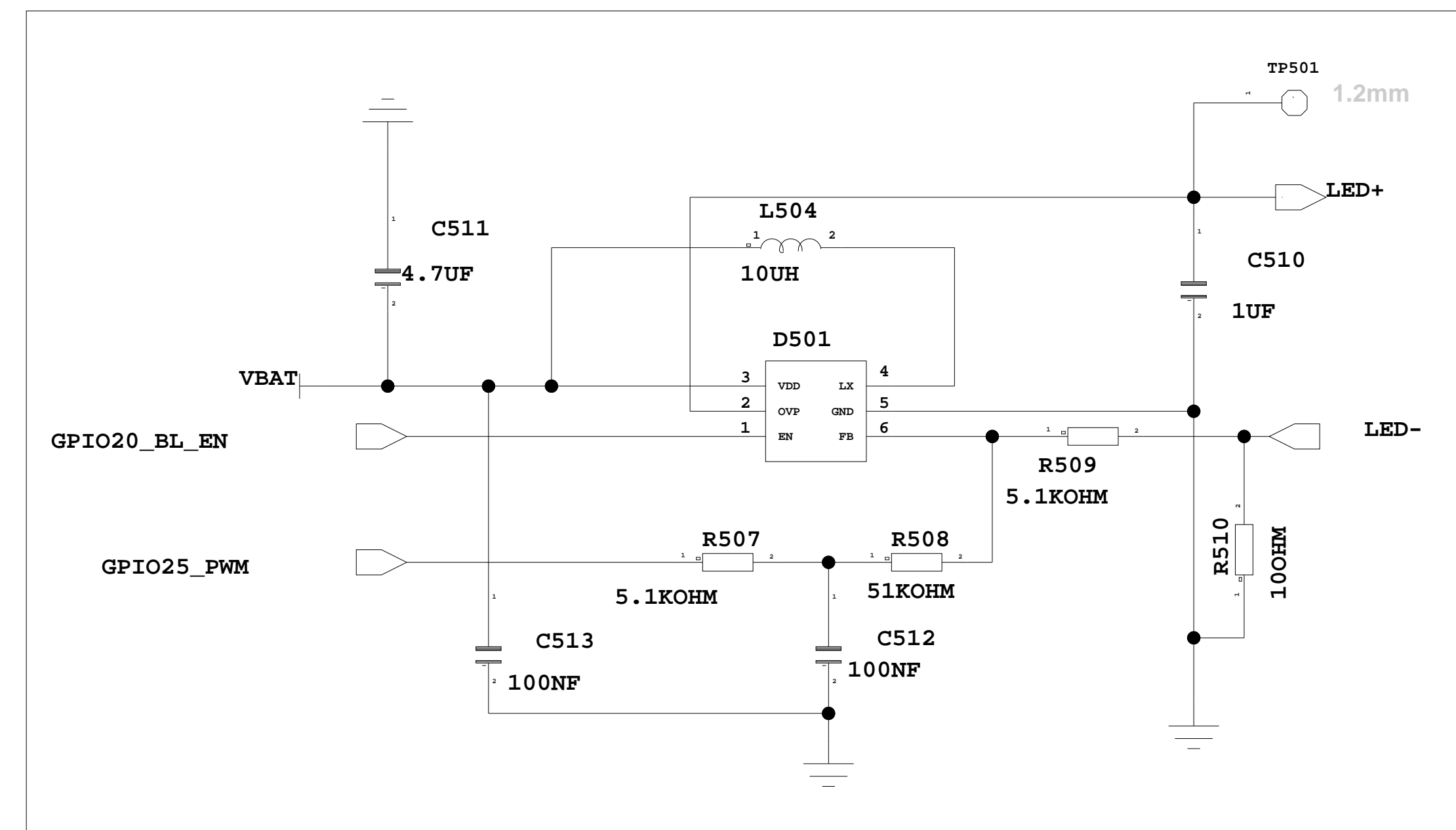
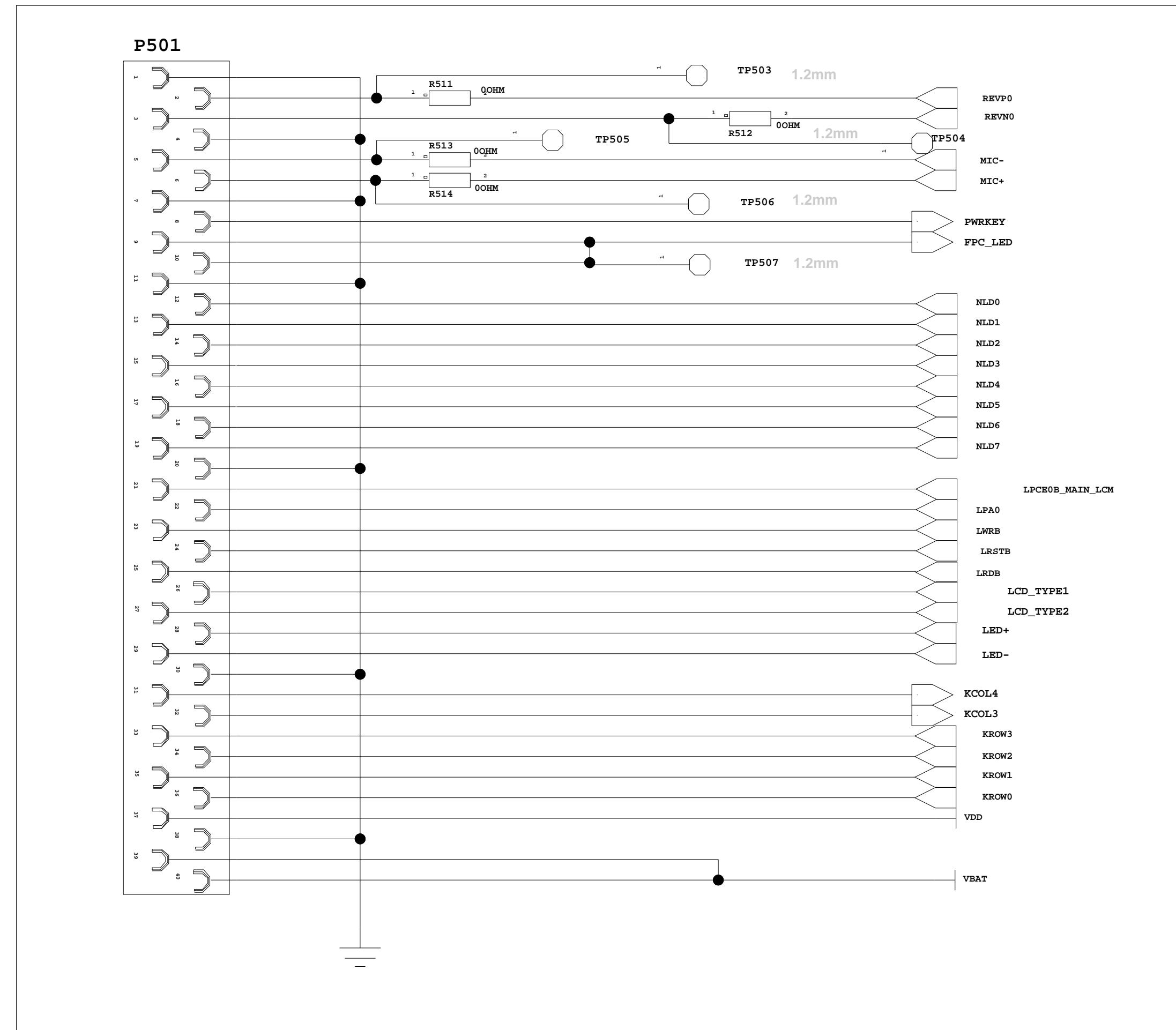
ED/ DATE	20080625	Designated File:	No Synchronization CAD	DWG:	Symbolic numbers in:	0	0	0
CHANGE NOTE								
APPRO AUTHO								
ORIGINATOR	SKY SHI & Lei Zhang							
tcl & alcatel mobile phones	U8S Mainboard PIO2	SBA30B2E000E						
Part type:	CDMM							
								SN / NOF



CONFIDENTIAL

ED	DATE	20080625			
CHANGE NOTE					
APPRO AUTHO					
ORIGINATOR	SKY SHI & Lei Zhang				
tcl & catel	U8S Mainboard PIO2		SBA30B2E000E		
mobile phones					
type	CONF				
					SN / NOF

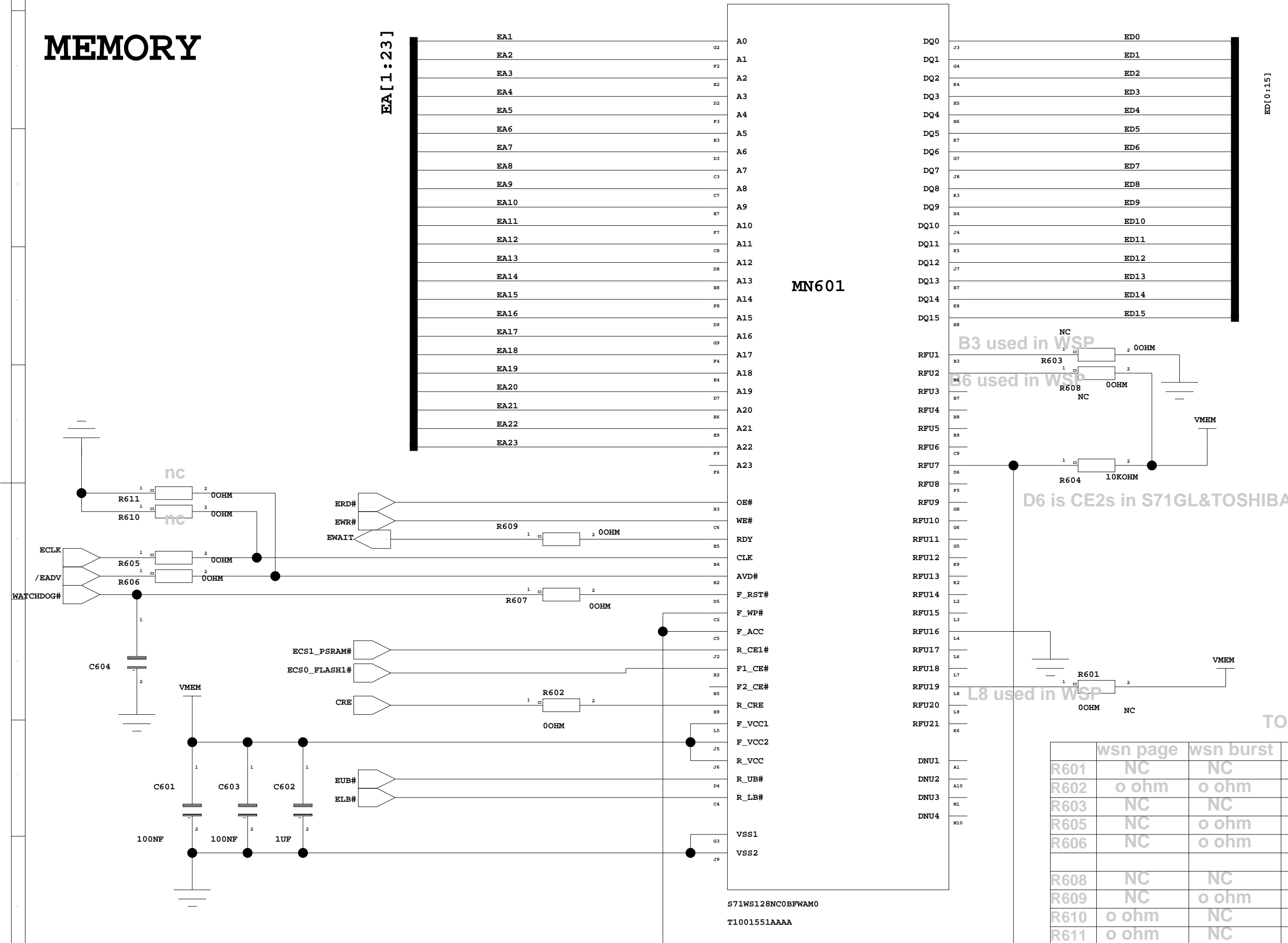
LCD MODULE/MAIN BOARD CONNECTOR



CONFIDENTIAL

ED	DATE	20080625			
CHANGE NOTE					
APPRO AUTHO					
ORIGINATOR	SKY SHI & Lei Zhang				
tcl & catel mobile phones	U8S Mainboard PIO2		SBA30B2E000E		
Part No.	CONF				
					SN / NOF

MEMORY

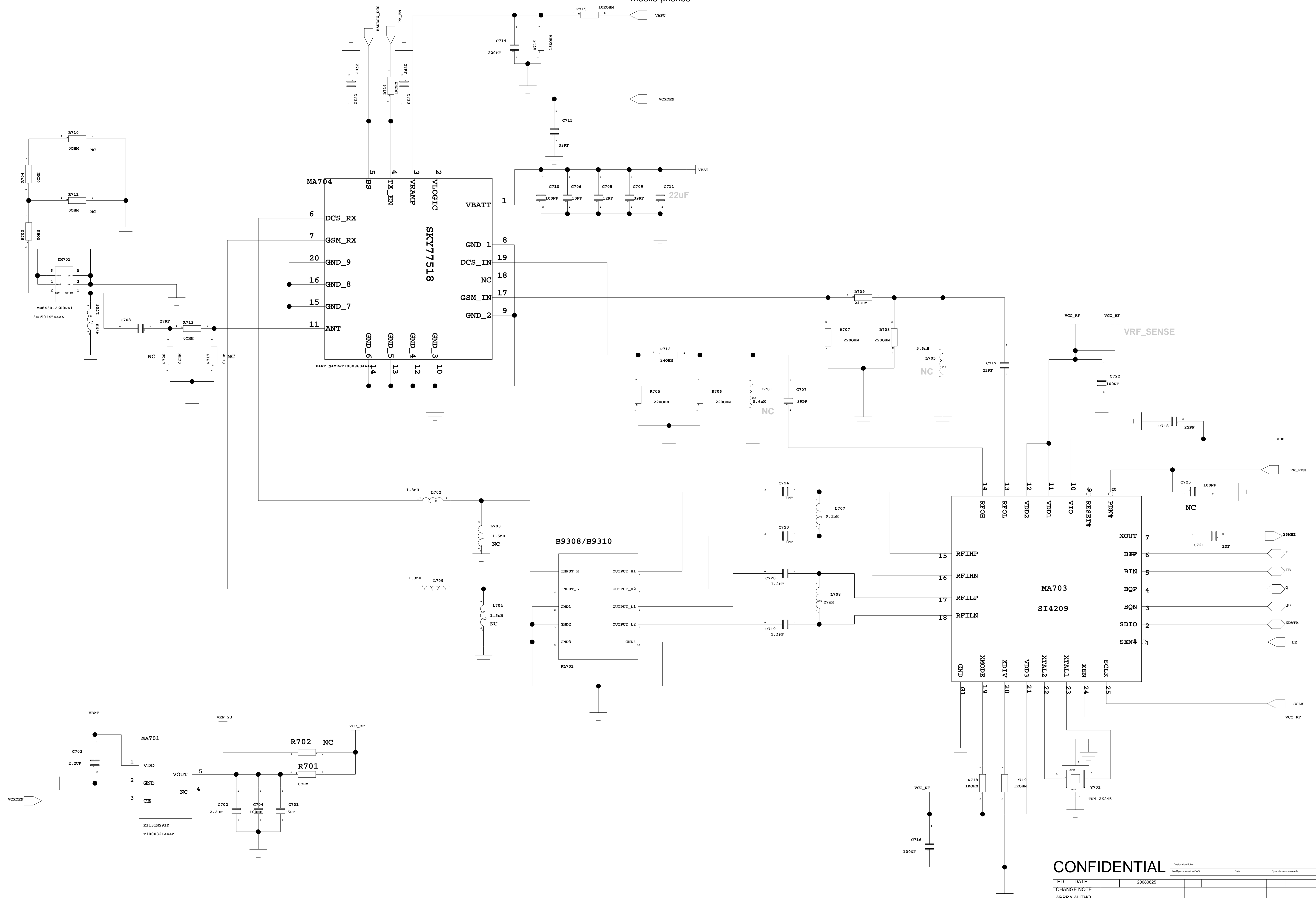


MN601

S71WS128NC0BFWA0
T1001551AAAA

TOSHIBA TV00570002/003ADGBxxx1

	wsn page	wsn burst	S71GL-N	TOSHIBA WSP page	WSP burst
R601	NC	NC	NC	NC	o ohm
R602	o ohm	o ohm	NC	NC	o ohm
R603	NC	NC	NC	NC	o ohm
R605	NC	o ohm	NC	NC	o ohm
R606	NC	o ohm	NC	NC	o ohm
R608	NC	NC	NC	NC	o ohm
R609	NC	o ohm	NC	NC	o ohm
R610	o ohm	NC	NC	NC	NC
R611	o ohm	NC	NC	NC	NC



CONFIDENTIAL

ED	DATE	20080625		
CHANGE NOTE				
APPRO AUTHO				
ORIGINATOR	SKY SHI & Lei Zhang			
tcl & alcatel mobile phones	U8S Mainboard PIO2		SBA30B2E000E	
Part No:	0000			

SN / NOF